



WARNING LIGHTS



TECHNOLOGY



INNOVATION



EFFICIENCY



INTELLIGENCE



Our company concepts "Honesty, Exploration, Innovation, Beyond" spirit, to provide quality cheap products and satisfied service for customers and sincerely welcome customers at home and abroad and people from all walks of life to come to our company to negotiate cooperation, create brilliant.

TABLE OF CONTENT

LTA-50 / LED 常亮 / 闪光型组合式警示灯	01	LTG-5093 / 摩托车前雾灯	23
LTA504 / LED 常亮 / 闪光型组合式警示灯	02	LTE-5088C / 充电式 LED 警示灯	23
LTA505 / LED 常亮 / 闪光型组合式警示灯	03	SOLAR WARNING LIGHT / 太阳能指示灯	24
LTA-70 / LED 常亮 / 闪亮型组合式警示灯	04	BXG-100 / 声光电子哨鸣器	24
LTA-504 / LED 常亮 / 闪亮型多层警示灯	05	LTE-5130 / Φ 110mm LED 太阳能警示灯	25
LTA-505 / LED 常亮 / 闪亮型多层警示灯	05	LTE-6108 / Φ 110mm LED 太阳能警示灯	25
LTA-5001 / 单层 LED 多色常亮 / 闪亮型警示灯	06	LTD-5095S / Φ 110mm LED 太阳能警示灯	26
LTA-5085 / 单层 LED 多色常亮 / 闪亮型警示灯	06	LTD-5162S / Φ 160mm LED 太阳能警示灯	26
SOLAR CEILING LAMP / 太阳能吸顶灯	07	MS-190 / 电动报警器	27
LTE-5061 / LED 频闪型警示灯	07	MS-290 / 电动报警器	27
LTE-1081 / Φ 80 灯泡旋转警示灯	08	MS-390 / 电动报警器	27
LTE-1082 / Φ 80 灯泡旋转警示灯	08	MS-490 / 双向电动报警器 (风螺)	27
LTE-1083 / Φ 80 灯泡旋转警示灯	09	MS-590 / 双向电动报警器 (风螺)	28
LTE-5081 / Φ 80mm 灯泡旋转警示灯	09	MS-790 / 双向电动报警器 (风螺)	28
LTE-1011 / Φ 100mm 灯泡旋转警示灯	10	SINGLE-LAYER TRICOLOR LAMP / 单层三色灯	28
LTE-1101 / Φ 100mm 灯泡旋转警示灯	10	LTE-5100 / Φ 100mm LED 常亮 / 频闪型警示灯	29
LTE-5101 / Φ 100mm LED 频闪警示灯	11	LTE-5111 / Φ 110mm LED 常亮 / 频闪型警示灯	29
LTE-5011 / Φ 100mm LED 旋转警示灯	11	LTE-5162 / Φ 160mm LED 常亮 / 频闪型警示灯	30
LTE-5107 / Φ 100mm LED 旋转警示灯	12	LTE-5163 / Φ 160mm LED 常亮 / 频闪型警示灯	30
LTE-1105 / Φ 100mm 灯泡旋转警示灯	12	LTE-5151 / Φ 160mm LED 常亮 / 频闪型警示灯	31
LTE-1121 / Φ 100mm 灯泡旋转警示灯	13	LTE-5036 / LED 频闪警示灯	31
LTE-1122 / Φ 100mm 灯泡旋转警示灯	13	LTE-5018 / LED 频闪型警示灯	32
LTE-5121 / Φ 120mm LED 频闪警示灯	14	LTE-5013 / 摩托车前雾灯	32
LTE-5122 / Φ 120mm LED 频闪警示灯	14	ML-20/5101/1101 / Φ 110mm 声光一体警示灯	33
LTD-1201 / Φ 120mm 灯泡旋转警示灯	15	LTD-5096 / 频闪警示灯	33
LTD-1201J / Φ 120mm 灯泡旋转警示灯	15	多层式警示灯附件	34
LTE-1161 / Φ 160mm 灯泡旋转警示灯	16		
LTE-5161 / Φ 160mm LED 频闪警示灯	16		
LTE-1181 / Φ 180mm 灯泡旋转警示灯	17		
LTE-5181 / Φ 180mm LED 频闪警示灯	17		
LTE-5051 / Φ 70mm LED 常亮 / 闪亮型警示灯	18		
LTE-5095Z / Φ 120mm LED 频闪警示灯	18		
LTD-5086 / Φ 80mm LED 闪亮型警示灯 (电池供电)	19		
LTD-5088 / Φ 80mm LED 闪亮型警示灯 (电池供电)	19		
LTE-2071 / Φ 70mm LED 常亮 / 闪亮型警示灯	20		
LTE-5075 / Φ 70mm LED 常亮 / 闪亮型警示灯	20		
LTE-5092 / Φ 95mm LED 常亮 / 频闪型警示灯	21		
LTE-5095 / Φ 95mm LED 常亮 / 频闪型警示灯	21		
LTE-5152 / Φ 120mm LED 常亮 / 频闪型警示灯	22		
LTE-5153 / Φ 120mm LED 常亮 / 频闪型警示灯	22		

LTA-50 LED

LED constant light / flash type combination warning light

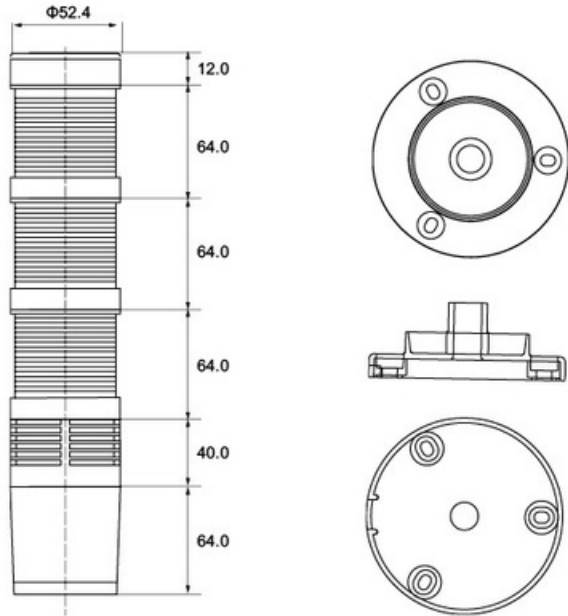
产品特点 PRODUCT FEATURES

外径为 52mm 的组合式警示灯, 外形稳重大方, 性能卓越;
 积木式组装方式拆卸组合十分方便, 可根据用户需求随意简便组合;
 壳体采用 PC 材料制成, 色泽清晰, 透光度高, 不褪色, 不磨损;
 光源采用高亮度 LED 灯管, 内置常亮, 闪亮, 转亮模式转换开关;
 可配蜂鸣器, 声音 90DB 以上;
 IP 等级: IP65

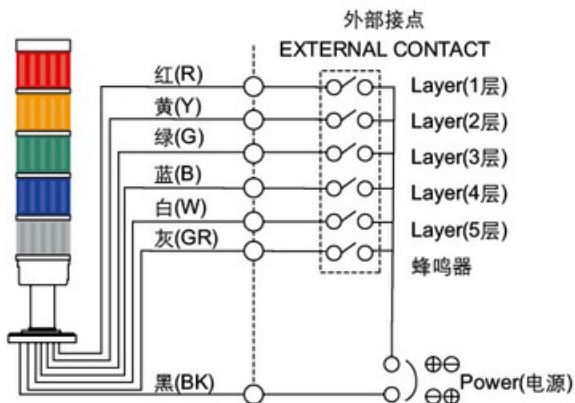
An outer diameter of 52mm modular warning light, shape, decent, high performance; Modular assembly method is very convenient disassembly combination, can be conveniently combined according to needs of different users; Housing made of PC material, color, clarity, good transmittance, no fading, no wear and tear; Light source with high brightness LED lamp, built-in, shiny, bright switch mode switch; Can be equipped with a buzzer sound 90DB above; IP Rating: IP65



外形参数 SIZE



接线图 CONNECTION DIAGRAM



LTA504 LED

LED constant light / flash type combination warning light

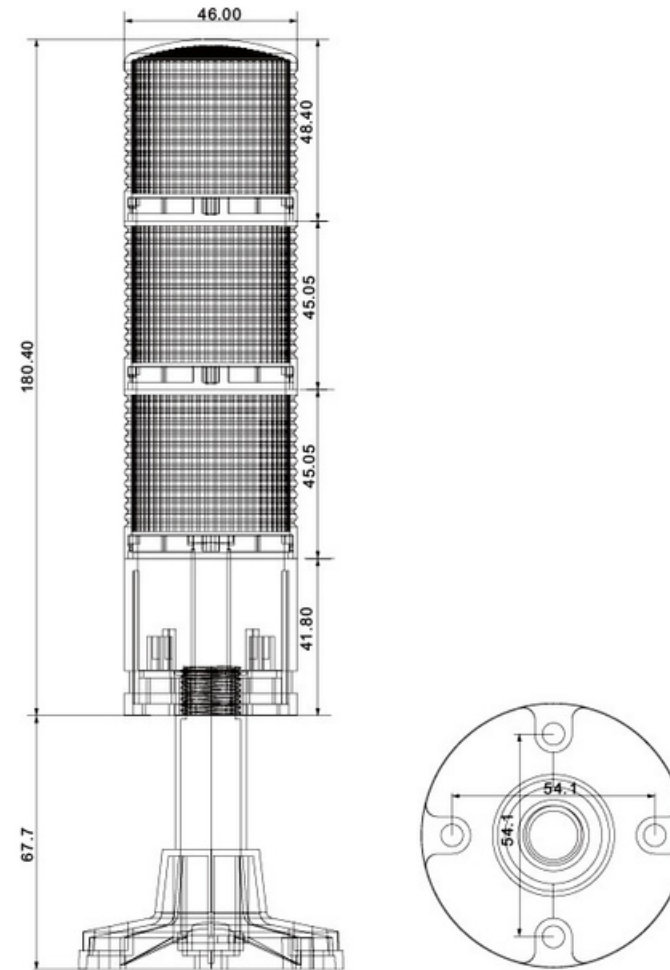
产品特点 PRODUCT FEATURES

光源采用高亮度 LED 灯管, 每层功率小于 2W, 独特的灯罩设计, 光源信号可见度更好, 产品结构精巧, 可配多种安装支架
 闪光次数: 60-80 次 / min
 内置蜂鸣器型
 音量: 85dB(1 米处)
 防护等级:
 IP44(标准型) IP33(蜂鸣器型)

Light source with high brightness LED lamps, each power less than 2W, unique shade design, light signals and better visibility. product structure compact, can be equipped with a variety of mounting brackets
 Flashes: 60-80 times / min
 Built-in buzzer type
 Volume: 85dB(1 meter)
 Protection class:
 IP44(standard) IP33(buzzer type)



外形参数 SIZE



型号 MODEL	电压 VOLTAGE	功率 POWER	功能 VOLTAGE	颜色 COLOR
LTA504-1	DC12V DC24V AC110V AC220V	2W	T 常亮 T-STeady BURN w 闪光 W-FLASH J 配蜂鸣器 J-WITH BUZZER	<ul style="list-style-type: none"> ● 红 -R ● 黄 -Y ● 绿 -G ● 蓝 -B
LTA504-2		4W		
LTA504-3		6W		
LTA504-4		8W		
LTA504-5		10W		

外形 SHAPE	品名 PARTS NAME	规格 PRODUCT CODE
	LTA-50 盖子 LTA-50 COVER	材质 MATERIAL: ABS 尺寸 SIZE: $\phi 52$
	LTA-50 LED 光组件 LTA-50 LED MODULE	材质 MATERIAL: PC 颜色 COLOR: 红 (R) 黄 (Y) 绿 (G) 蓝 (B) 白 (W) 尺寸 SIZE: $\phi 52 \times 56$
	LTA-50 接线座带蜂鸣器 LTA-50 BASE MODULE WITH BUZZER	材质 MATERIAL: ABS 尺寸 SIZE: $\phi 52$ 音量 VOLUME: 90dB
	LTA-50 支架 LTA-50 MOUNTING	自立型: BS-4 SELF-STANDING TYPE: BS-4 折叠型: BS-8 FOLDAWAY MOUNTING: BS-8 材质 MATERIAL: ABS FOLDAWAY MOUNTING: BS-9 材质 MATERIAL: 尼龙 Nylon

型号 MODEL	电压 VOLTAGE	功率 POWER	光源类型 LIGHT	功能 VOLTAGE	颜色 COLOR
LTA50-1	DC12V DC24V DC110V DC220V	1.2W	LED	T 常亮 T-STeady BURN w 闪光 W-FLASH R 转亮 REVOLVIGN J 配蜂鸣器 J-WITH BUZZER	● 红 -R
LTA50-2		2.4W			● 黄 -Y
LTA50-3		3.6W			● 绿 -G
LTA50-4		4.8W			● 蓝 -B
LTA50-5		6.0W			○ 白 -W

LTA505 LED

LED constant light / flash type combination warning light

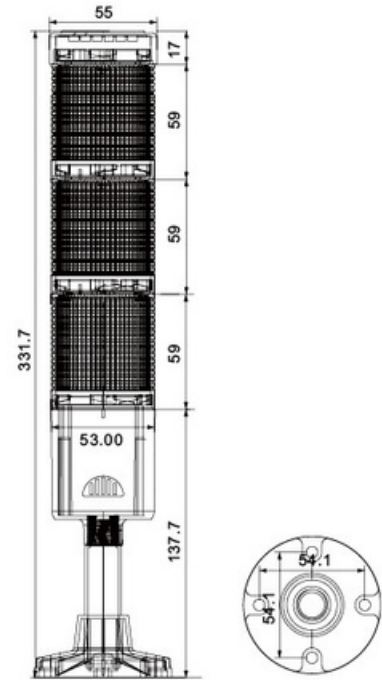
产品特点 PRODUCT FEATURES

外径为 52mm 的组合式警示灯, 外形稳重大方, 性能卓越;
 积木式组装方式拆卸组合十分方便, 可根据用户需求随意简便组合;
 壳体采用 PC 材料制成, 色泽清晰, 透光度好, 不褪色, 不磨损;
 光源采用高亮度 LED 灯管, 内置常亮, 闪亮, 转亮模式转换开关;
 可配蜂鸣器, 声音 90DB 以上;
 IP 等级: IP65

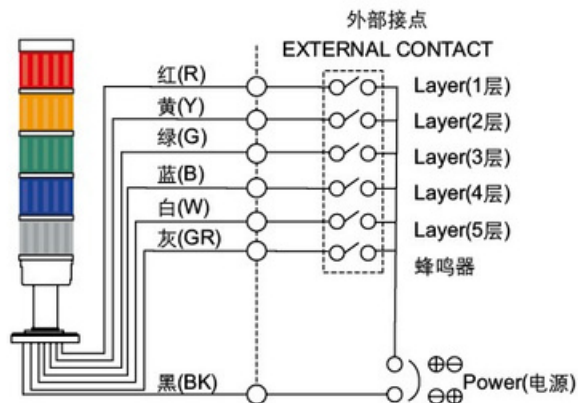
An outer diameter of 52mm modular warning light, shape, decent, high performance; Modular assembly method is very convenient disassembly combination, can be conveniently combined according to needs of different users; Housing made of PC material, color, clarity, good transmittance, no fading, no wear and tear; Light source with high brightness LED lamp, built-in, shiny, bright switch mode switch; Can be equipped with a buzzer sound 90DB above; IP Rating: IP65



外形参数 SIZE



接线图 CONNECTION DIAGRAM



外形 SHAPE	品名 PARTS NAME	规格 PRODUCT CODE
	LTA505 盖子 LTA-50 COVER	材质 MATERIAL: ABS 尺寸 SIZE: ϕ 52
	LTA505 LED 光组件 LTA505 LED MODULE	材质 MATERIAL: PC 颜色 COLOR: 红 (R) 黄 (Y) 绿 (G) 蓝 (B) 白 (W) 尺寸 SIZE: ϕ 54.1 \times 56
	LTA505 接线座带蜂鸣器 LTA505 BASE MODULE WITH BUZZER	材质 MATERIAL: ABS 尺寸 SIZE: ϕ 52 音量 VOLUME: 90dB
	LTA505 支架 LTA505 MOUNTING	自立型: BS-4 SELF-STANDING TYPE: BS-4 折叠型: BS-9 FOLDAWAY MOUNTING: BS-8 材质 MATERIAL: ABS FOLDAWAY MOUNTING: BS-9 材质 MATERIAL: 尼龙 Nylon

型号 MODEL	电压 VOLTAGE	功率 POWER	光源类型 LIGHT	功能 VOLTAGE	颜色 COLOR
LTA505-1	DC12V DC24V DC110V DC220V	1.2W	LED	T 常亮	● 红 -R
LTA505-2		2.4W		w 闪光	● 黄 -Y
LTA505-3		3.6W		W-FLASH	● 绿 -G
LTA505-4		4.8W		R 转亮	● 蓝 -B
LTA505-5		6.0W		REVOLVIGN J 配蜂鸣器 J-WITH BUZZER	○ 白 -W

LTA-70 LED

LED constant light / flash type combination warning light

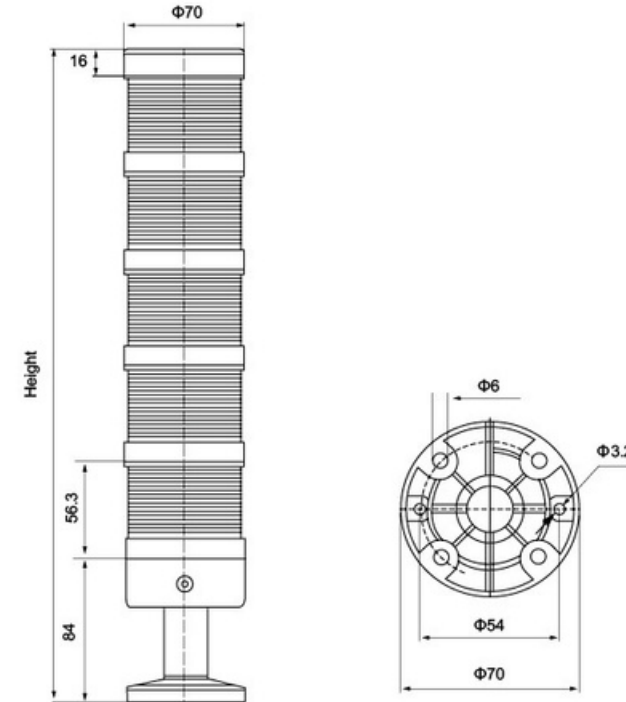
产品特点 PRODUCT FEATURES

外径为 70mm 的组合式警示灯, 外形稳重大方, 性能卓越;
 积木式组装方式拆卸组合十分方便, 可根据用户需求随意简便组合;
 壳体采用 PC 材料制成, 色泽清晰, 透光度好, 不褪色, 不磨损;
 光源采用高亮度 LED 灯管, 内置常亮, 闪亮, 转亮模式转换开关;
 可配蜂鸣器, 声音 90DB 以上;
 IP 等级: IP65

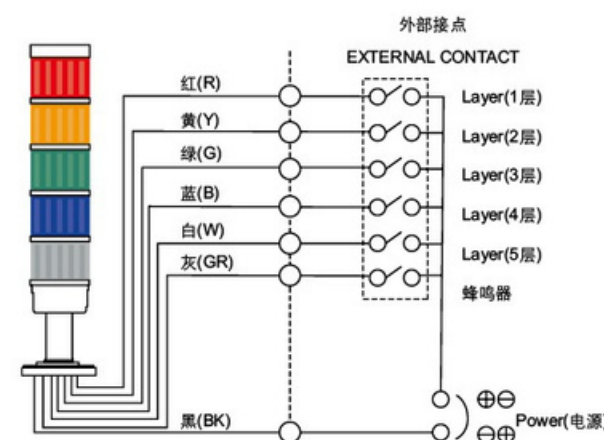
An outer diameter of 70mm modular warning light, shape, decent, high performance; Modular assembly method is very convenient disassembly combination, can be conveniently combined according to needs of different users; Housing made of PC material, color, clarity, good transmittance, no fading, no wear and tear; Light source with high brightness LED lamp, built-in, shiny, bright switch mode switch; Can be equipped with a buzzer sound 90DB above; IP Rating: IP65



外形参数 SIZE



接线图 CONNECTION DIAGRAM



外形 SHAPE	品名 PARTS NAME	规格 PRODUCT CODE
	LTA-70 盖子 LTA-70 COVER	材质 MATERIAL: ABS 尺寸 SIZE: ϕ 70
	LTA-70 蜂鸣器组件 LTA-70 AUDIBLE MODULE	材质 MATERIAL: PC 尺寸 SIZE: ϕ 70 \times 56 音量 VOLUME: 90dB
	LTA-70 LED 光组件 LTA-70 LED MODULE	材质 MATERIAL: PC 颜色 COLOR: 红 (R) 黄 (Y) 绿 (G) 蓝 (B) 白 (W) 尺寸 SIZE: ϕ 70 \times 56
	LTA-70 接线座 LTA-70 BASE MODULE	材质 MATERIAL: ABS 尺寸 SIZE: ϕ 70
	LTA-70 支架 LTA-70 MOUNTING	自立型: BS-4 SELF-STANDING TYPE: BS-4 折叠型: BS-8 FOLDAWAY MOUNTING: BS-8 材质 MATERIAL: ABS FOLDAWAY MOUNTING: BS-9 材质 MATERIAL: 尼龙 Nylon

型号 MODEL	电压 VOLTAGE	功率 POWER	光源类型 LIGHT	功能 VOLTAGE	颜色 COLOR
LTA70-1	DC12V DC24V DC110V DC220V	2W	LED	T 常亮	● 红 -R
LTA70-2		4W		w 闪光	● 黄 -Y
LTA70-3		6W		W-FLASH	● 绿 -G
LTA70-4		8W		R 转亮	● 蓝 -B
LTA70-5		10W		REVOLVIGN J 配蜂鸣器 J-WITH BUZZER	○ 白 -W

LTA-504 LED 常亮 / 闪亮型多层警示灯

LED constant light / flash type combination warning light

产品特点 PRODUCT FEATURES

光源采用高亮度 LED 灯管, 每层功率小于 2W, 独特的灯罩设计, 光源信号可见度更好, 产品结构精巧, 可配多种安装支架
闪光次数: 60-80 次 /min
内置蜂鸣器型
音量: 85dB(1 米处)
防护等级: IP44(标准型) IP33(蜂鸣器型)

Light source with high brightness LED lamps, each power less than 2W, unique shade design, light signals and better visibility product structure compact, can be equipped with a variety of mounting brackets
Flashes: 60-80 times / min
Built-in buzzer type
Volume: 85dB(1 meter)
Protection class: IP44(standard)IP33(buzzer type)

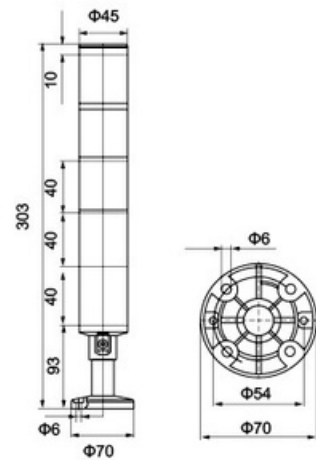


支架 (Bracket) Mounting device



BS-1 BS-2 BS-3 BS-4 BS-8 BS-9

外形参数 SIZE



型号 MODEL	电压 VOLTAGE	功率 POWER	功能 VOLTAGE	颜色 COLOR
LTA504-1		2W	T 常亮	● 红 -R
LTA504-2	DC12V	4W	T-STEADY BURN	● 黄 -Y
LTA504-3	DC24V	6W	w 闪光	● 绿 -G
LTA504-4	AC110V	8W	W-FLASH	● 蓝 -B
LTA504-5	AC220V	10W	J 配蜂鸣器 J-WITH BUZZER	○ 白 -W

LTA-505 LED 常亮 / 闪亮型多层警示灯

LED constant light / flash type combination warning light

产品特点 PRODUCT FEATURES

光源采用高亮度 LED 灯管, 每层功率小于 2W, 独特的灯罩设计, 光源信号可见度更好, 产品结构精巧, 可配多种安装支架
闪光次数: 60-80 次 /min
内置蜂鸣器型
音量: 85dB(1 米处)
防护等级: IP44(标准型) IP33(蜂鸣器型)

Light source with high brightness LED lamps, each power less than 2W, unique shade design, light signals and better visibility product structure compact, can be equipped with a variety of mounting brackets
Flashes: 60-80 times / min
Built-in buzzer type
Volume: 85dB(1 meter)
Protection class: IP44(standard)IP33(buzzer type)

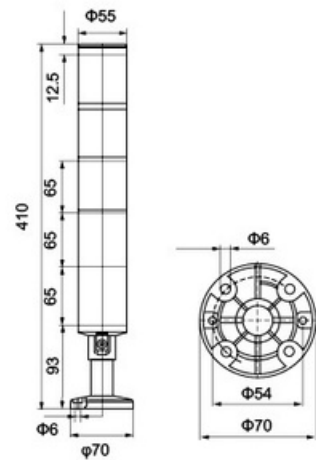


支架 (Bracket) Mounting device



BS-1 BS-2 BS-3 BS-4 BS-5 BS-6 BS-8 BS-9

外形参数 SIZE



型号 MODEL	电压 VOLTAGE	功率 POWER	功能 VOLTAGE	颜色 COLOR
LTA505-1	DC12V	2W	T 常亮	● 红 -R
LTA505-2	DC24V	4W	T-STEADY BURN	● 黄 -Y
LTA505-3	AC110V	6W	w 闪光	● 绿 -G
LTA505-4	AC220V	8W	W-FLASH	● 蓝 -B
LTA505-5	AC380V	10W	J 配蜂鸣器 J-WITH BUZZER	○ 白 -W

LTA-5001 单层 LED 多色常亮 / 闪亮型警示灯

Single-layer LED multi-color constant bright/shiny warning light

产品特点 PRODUCT FEATURES

采用超高亮度 LED 光源, 一个灯罩空间内能传递 2-3 种颜色, 可单独控制, 独特的闪光型灯罩, 信号的可见度更好。产品结构精巧, 可配多种支架。
闪光次数: 60-80 次 /min
内置蜂鸣器型
音量: 85dB (1 米处)
防护等级: IP44 (标准型) IP33 (蜂鸣器型)

Using ultra-high brightness LED light source, can pass a lampshade space within 2-3 color can be individually controlled, unique flash-based shade, so that light signals better visibility. Product structure compact, can be equipped with a variety of stent.
Flashes: 60-80 times/min
Built-in buzzer type
Volume: 85dB(1 meter)
Protection class: IP44(standard)IP33(buzzer type)

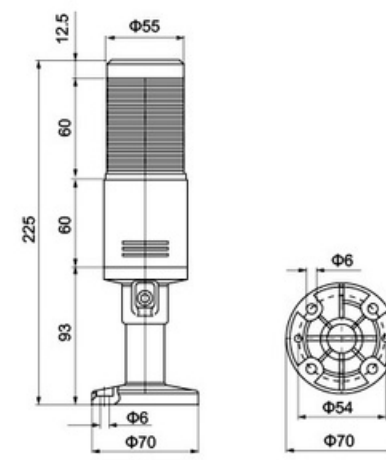


支架 (Bracket) Mounting device



BS-1 BS-2 BS-3 BS-4 BS-5 BS-6 BS-8 BS-9

外形参数 SIZE



型号 MODEL	电压 VOLTAGE	功率 POWER	功能 VOLTAGE	颜色 COLOR
LTA-5001	DC12V DC24V AC110V AC220V	2W(三色) 6W(单色)	T 常亮 T-STEADY BURN w 闪光 W-FLASH J 配蜂鸣器 J-WITH BUZZER	● 红 -R ● 黄 -Y ● 绿 -G ● 蓝 -B ○ 白 -W

LTE-5085 单层 LED 多色常亮 / 闪亮型警示灯

Single-layer LED multi-color constant bright/shiny warning light

产品特点 PRODUCT FEATURES

采用超高亮度光源, 一个灯罩空间内能传递 2-3 种颜色, 可单独控制, 独特的闪光型灯罩, 使用光源信号的可见度更好。产品结构精巧, 可配多种支架。
闪光次数: 60-80 次 /min
内置蜂鸣器型
音量: 85dB (1 米处)
防护等级: IP44 (标准型) IP33 (蜂鸣器型)

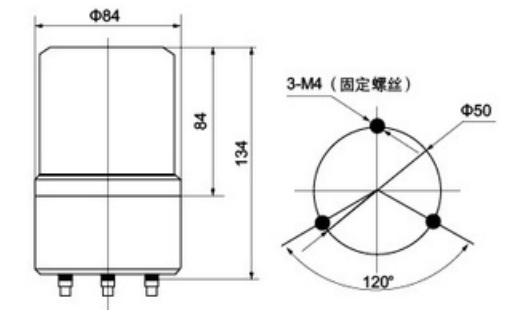
Using ultra-high brightness LED light source, can pass a lampshade space within 2-3 colors can be individually controlled, unique flash-based shade, so that light signals better visibility. Product structure compact, can be equipped with a variety of stent.
Flashes: 60-80 times/min
Built-in buzzer type
Volume: 85dB(1 meter)
Protection class: IP44(standard)IP33(buzzer type)



支架 (Bracket) Mounting device



外形参数 SIZE



型号 MODEL	电压 VOLTAGE	功率 POWER	颜色 COLOR
LTE-5085	DC12V	6W(单色) 2W(三色)	● 红 -R
LTE-5085J	DC24V		● 黄 -Y
LTD-5085	AC110V		● 绿 -G
LTD-5085J	AC220V		● 蓝 -B

SOLAR CEILING LAMP

太阳能吸顶灯

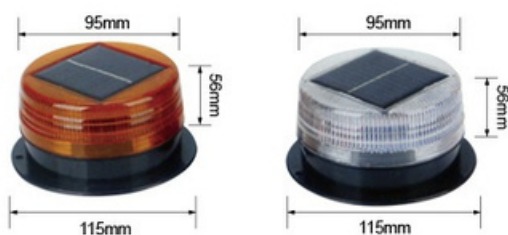
产品特点 PRODUCT FEATURES

采用超高亮度 LED 发光管光源
50000 小时的使用寿命, 节省电能, 发热量低, 无需保养产品结构精巧
固定方式: 磁吸式
闪光频率: 60-90 次 / 分
防护等级: IP54

Ultra-high brightness LED light source 50,000 hours of service life, energy saving, low calorific value, no maintenance The product structure is exquisite
Fixed mode: magnetic suction type
Flash frequency: 60-90 times/min
Protection Level: IP54



外形参数 SIZE



型号 MODEL	太阳能灯 SOLAR ENERGY LAMP	光源 LIGHT SOURCE	颜色 COLOR
太阳能吸顶灯 Solar ceiling lamp	白天自动充电 夜晚自动亮起 Daytime charge automatically, night time work automatically	LED	<ul style="list-style-type: none"> ● 黄 -Y ● 蓝 -B ● 红蓝 -R/B

LTE-5061

LED 频闪型警示灯
LED strobe warning light

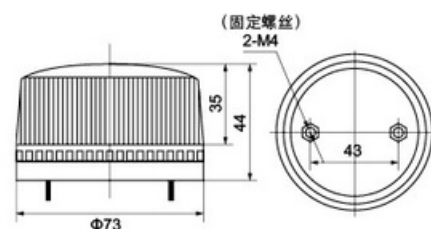
产品特点 PRODUCT FEATURES

采用超高亮度 LED 发光管光源; 50000 小时的使用寿命, 节省电能, 发热量低, 无需保养; 产品结构精巧, 固定方式灵活简便
产品设闪光型或常亮型
闪光频率: 90-150 次 / 分
防护等级: IP45

Using ultra-high brightness LED light tube light; 50,000 hours of life, saving energy, low heat, no maintenance; product structure compact, flexible and easy fixation, Always flash-based product design or type
Flash frequency: 90-150 beats / min
Protection class: IP45



外形参数 SIZE



型号 MODEL	电压 VOLTAGE	功率 POWER	颜色 COLOR
LTE-5061	DC12V DC24V AC110V AC220V	2W	<ul style="list-style-type: none"> ● 红 -R ● 黄 -Y ● 绿 -G ● 蓝 -B

LTE-1081

Φ80 灯泡旋转警示灯
Φ 80 bulbs revolving warning lights

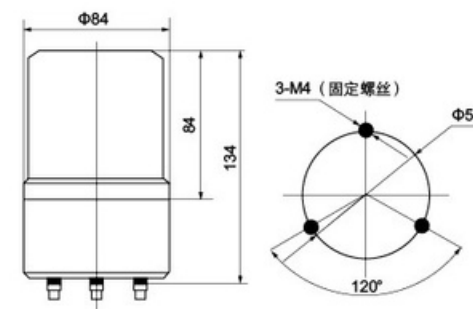
产品特点 PRODUCT FEATURES

采用噪音和磨损极小的动力传达装置
科学的抛物线形反射镜聚光效果更好, 使光线反射的很远
安装方式可选用: 磁吸式、螺栓固定式
转速: 90-130RPM
产品可加装蜂鸣器, 音量 :85dB 以上
防护等级: IP54

Using noise and wear minimal power transmission device. Scientific parabolic reflector concentrating better, so that the light reflected from very far
Installation can be used: Magnetic, bolt.
Speed: 90-130 RPM
Product can be installed buzzer volume: 85dB or more
Protection grade: IP54



外形参数 SIZE



型号 MODEL	电压 VOLTAGE	功率 POWER	颜色 COLOR
LTE-1081 LTE-1081J LTD-1081 LTD-1081J	DC12V DC24V AC110V AC220V AC380V	5W	<ul style="list-style-type: none"> ● 红 -R ● 黄 -Y ● 绿 -G ● 蓝 -B

LTE-1082

Φ80 灯泡旋转警示灯
Φ 80 bulbs revolving warning lights

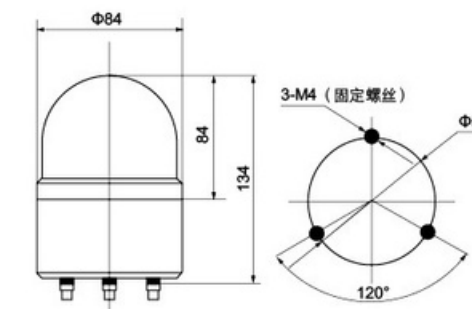
产品特点 PRODUCT FEATURES

采用噪音和磨损极小的动力传达装置
科学的抛物线形反射镜聚光效果更好, 使光线反射的很远
安装方式可选用: 磁吸式、螺栓固定式
转速: 90-130RPM
产品可加装蜂鸣器, 音量 :85dB 以上
防护等级: IP54

Using noise and wear minimal power transmission device. Scientific parabolic reflector concentrating better, so that the light reflected from very far
Installation can be used: Magnetic, bolt.
Speed: 90-130 RPM
Product can be installed buzzer volume: 85dB or more
Protection grade: IP54



外形参数 SIZE



型号 MODEL	电压 VOLTAGE	功率 POWER	颜色 COLOR
LTE-1082 LTE-1082J LTD-1082 LTD-1082J	DC12V DC24V AC110V AC220V AC380V	5W	<ul style="list-style-type: none"> ● 红 -R ● 黄 -Y ● 绿 -G ● 蓝 -B

LTE-1083 Φ80mm 灯泡旋转警示灯 Φ80mm bulbs revolving warning lights

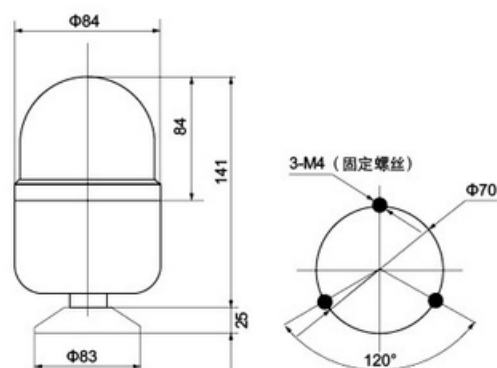
产品特点 PRODUCT FEATURES

采用噪音和磨损极小的动力传达装置
科学的抛物线形反射镜聚光效果更好, 使光线反射的很远
安装方式可选用: 磁吸式、螺栓固定式
转速: 90-130RPM
产品可加装蜂鸣器
音量: 85dB 以上
防护等级: IP54

Using noise and wear minimal power transmission device. Scientific parabolic reflector concentrating better, so that the light reflected from very far.
Installation mode can be chosen: magnetic suction type, bolt fixed type
Speed: 90-130 RPM
The product can be equipped with a buzzer
Volume: above 85dB
Protection grade: IP54



外形参数 SIZE



型号 MODEL	电压 VOLTAGE	功率 POWER	颜色 COLOR
LTE-1083	DC12V DC24V AC110V AC220V	5W	<ul style="list-style-type: none"> ● 红 -R ● 黄 -Y ● 绿 -G ● 蓝 -B

LTE-5081 Φ80mm 旋转型警示灯 Φ80 mm rotary type product

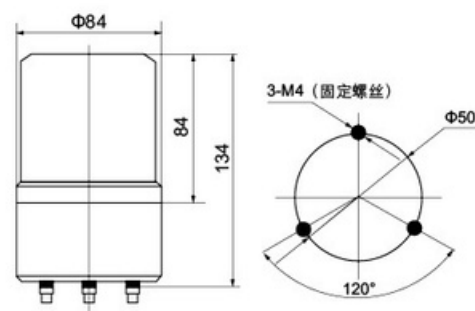
产品特点 PRODUCT FEATURES

采用超高亮度 LED 发光管光源 50000 小时的使用寿命, 节省电能, 发热量低, 无需保养常亮, LED 旋转, 闪光功能可选。
安装方式可选用: 磁吸式、螺栓固定式
闪光频率: 90-150 次 / 分
产品可加装蜂鸣器
音量: 85dB 以上
防护等级: IP54

Using ultra-high brightness LED light tube light life of 50,000 hours, saving energy, low heat, no maintenance lit, LED rotating, flashing function optional.
Installation can be used: Magnetic, bolt
Flash frequency: 90-150 beats / min
product can be installed buzzer.
Volume: 85dB or more
Protection class: IP54



外形参数 SIZE



型号 MODEL	电压 VOLTAGE	功率 POWER	颜色 COLOR
LTE-5081 LTE-5081J LTD-5081 LTD-5081J	DC12V DC24V AC110V AC220V	5W	<ul style="list-style-type: none"> ● 红 -R ● 黄 -Y ● 绿 -G ● 蓝 -B

LTE-1011 Φ100mm LED 旋转警示灯 Φ100mm LED revolving light

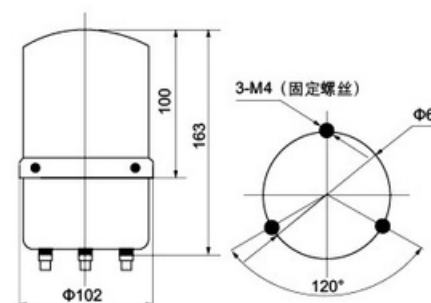
产品特点 PRODUCT FEATURES

采用噪音和磨损极小的动力传达装置
科学的抛物线形反射镜聚光效果更好, 使光线反射的很远
安装方式可选用: 磁吸式、螺栓固定式
转速: 90-130RPM
产品可加装蜂鸣器
音量: 85dB 以上
防护等级: IP54

Using noise and wear minimal power transmission device. Scientific parabolic reflector concentrating better, so that the light reflected from very far
Installation can be used: Magnetic, bolt.
Speed: 90-130 RPM
Products can be installed buzzer volume: 85dB or more
Protection grade: IP54



外形参数 SIZE



型号 MODEL	电压 VOLTAGE	功率 POWER	颜色 COLOR
LTE-1011 LTE-1011J LTD-1011 LTD-1011J	DC12V DC24V AC110V AC220V AC380V	10W	<ul style="list-style-type: none"> ● 红 -R ● 黄 -Y ● 绿 -G ● 蓝 -B

LTE-1101 Φ100mm 灯泡旋转警示灯 Φ100mm bulbs revolving warning lights

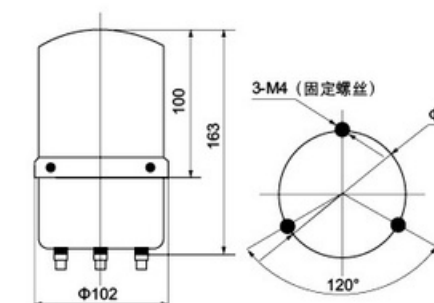
产品特点 PRODUCT FEATURES

采用噪音和磨损极小的动力传达装置
科学的抛物线形反射镜聚光效果更好, 使光线反射的很远
安装方式可选用: 磁吸式、螺栓固定式
转速: 90-130RPM
产品可加装蜂鸣器
音量: 85dB 以上
防护等级: IP54

Using noise and wear minimal power transmission device. Scientific parabolic reflector concentrating better, so that the light reflected from very far
Installation can be used: Magnetic, bolt.
Speed: 90-130 RPM
Products can be installed buzzer volume: 85dB or more
Protection grade: IP54



外形参数 SIZE



型号 MODEL	电压 VOLTAGE	功率 POWER	颜色 COLOR
LTE-1101 LTE-1101J LTD-1101 LTD-1101J	DC12V DC24V AC110V AC220V AC380V	10W	<ul style="list-style-type: none"> ● 红 -R ● 黄 -Y ● 绿 -G ● 蓝 -B

LTE-5101 Φ100mm LED 频闪警示灯 Φ 100 mm LED strobe warning light

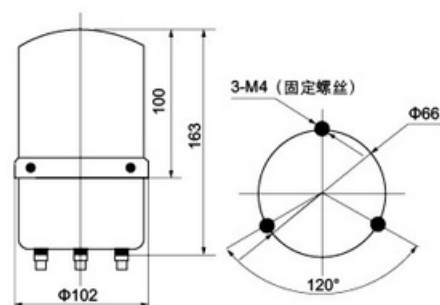
产品特点 PRODUCT FEATURES

采用超高亮度 LED 发光管光源 50000 小时的使用寿命, 节省电能, 发热量低, 无需保养常亮, LED 旋转, 闪光功能可选。
安装方式可选用: 磁吸式、螺栓固定式
闪光频率: 90-150 次 / 分
产品可加装蜂鸣器
音量 :85dB 以上
防护等级: IP54

Using ultra-high brightness LED light tube light life of 50,000 hours,saving energy, low heat, no maintenance lit, LED rotating, flashing function optional.
Installation can be used: Magnetic, bolt
Flash frequency : 90-150 beats / min
product can be installed buzzer. Volume: 85dB or more
Protection class:IP54



外形参数 SIZE



型号 MODEL	电压 VOLTAGE	功率 POWER	颜色 COLOR
LTE-5101 LTE-5101J LTD-5101 LTD-5101J	DC12V DC24V AC110V AC220V AC380V AC/DC48V 定制	2W	<ul style="list-style-type: none"> ● 红 -R ● 黄 -Y ● 绿 -G ● 蓝 -B

LTE-5011 Φ100mm LED 旋转警示灯 Φ 100 mm LED rotary warning light

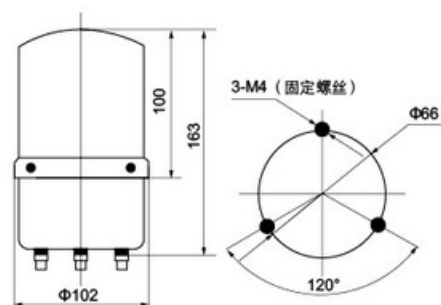
产品特点 PRODUCT FEATURES

采用超高亮度 LED 发光管光源 50000 小时的使用寿命, 节省电能, 发热量低。内置常亮 旋转 闪光功能选择开关
安装方式可选用: 磁吸式、螺栓固定式
闪光频率: 90-150 次 / 分
产品可加装蜂鸣器
音量 :85dB 以上
防护等级: IP54

Using ultra-high brightness LED light tube light life of 50,000 hours,saving energy, low heat. Built-in,rotate,flash function selector switch.
Installation can be used: Magnetic, bolt
Flash frequency : 90-150 beats / min
product can be installed buzzer. Volume: 85dB or more
Protection class:IP54



外形参数 SIZE



型号 MODEL	电压 VOLTAGE	功率 POWER	颜色 COLOR
LTE-5011 LTE-5011J LTD-5011 LTD-5011J	DC12V DC24V AC110V AC220V AC380V	2W	<ul style="list-style-type: none"> ● 红 -R ● 黄 -Y ● 绿 -G ● 蓝 -B

LTE-5107 Φ100mm LED 旋转警示灯 Φ 100 mm LED strobe warning light

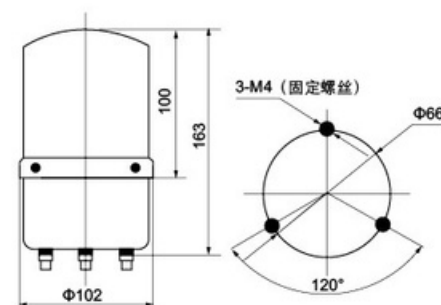
产品特点 PRODUCT FEATURES

采用超高亮度 LED 发光管光源 50000 小时的使用寿命, 节省电能, 发热量低, 发热量低。内置常亮, 旋转, 闪光功能选择开关。
安装方式可选用: 磁吸式、螺栓固定式
闪光频率: 90-150 次 / 分
产品可加装蜂鸣器
音量 :85dB 以上
防护等级: IP54

Using ultra-high brightness LED light tube light life of 50,000 hours, saving energy, low heat. Built-in, rotate, flash function selection switch.
Installation can be used: Magnetic, bolt
Flash frequency : 90-150 beats / min
product can be installed buzzer. Volume: 85dB or more
Protection:IP54



外形参数 SIZE



型号 MODEL	电压 VOLTAGE	功率 POWER	颜色 COLOR
LTE-5107 LTE-5107J LTD-5107 LTD-5107J	DC12V DC24V AC110V AC220V AC380V	3W	<ul style="list-style-type: none"> ● 红 -R ● 黄 -Y ● 绿 -G ● 蓝 -B

LTE-1105 Φ100mm 灯泡旋转警示灯 Φ 100 mm bulbs revolving warning lights

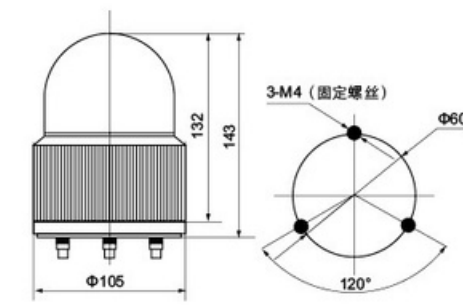
产品特点 PRODUCT FEATURES

采用噪音和磨损极小的动力传达装置
科学的抛物线形反射镜聚光效果更好, 使光线反射的很远
安装方式可选用: 磁吸式、螺栓固定式
转速: 90-130RPM
产品可加装蜂鸣器
音量 :85dB 以上
防护等级: IP54

Using noise and wear minimal power transmission device. Scientific parabolic reflector concentrating better,so that the light reflected from very far
Installation can be used: Magnetic, bolt
Speed: 90-130 RPM
Products can be installed buzzer
Volume: 85dB or more
Protection grade: IP54



外形参数 SIZE



型号 MODEL	电压 VOLTAGE	功率 POWER	颜色 COLOR
LTE-1105 LTD-1105	DC12V DC24V AC110V AC220V AC380V	10W	<ul style="list-style-type: none"> ● 红 -R ● 黄 -Y ● 绿 -G ● 蓝 -B

LTE-1121 Φ100mm 灯泡旋转警示灯 Φ 100 mm bulbs revolving warning lights

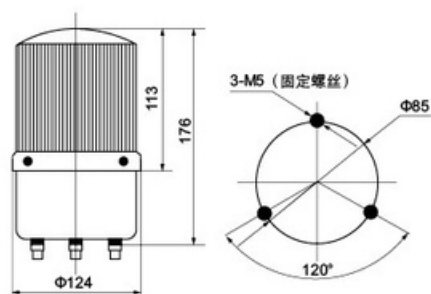
产品特点 PRODUCT FEATURES

采用噪音和磨损极小的动力传达装置
科学的抛物线形反射镜聚光效果更好, 使光线反射的很远
安装方式可选用: 磁吸式、螺栓固定式
转速: 90-130RPM
产品可加装蜂鸣器, 音量: 85dB 以上
防护等级: IP54

Using noise and wear minimal power transmission device. Scientific parabolic reflector concentrating better, so that the light reflected from very far
Installation can be used: Magnetic, bolt.
Speed: 90-130 RPM
Products can be installed buzzer
Volume: 85dB or more
Protection: IP54



外形参数 SIZE



型号 MODEL	电压 VOLTAGE	功率 POWER	颜色 COLOR
LTE-1121 LTE-1121J LTD-1121 LTD-1121J	DC12V DC24V AC110V AC220V AC380V	10W	<ul style="list-style-type: none"> ● 红 -R ● 黄 -Y ● 绿 -G ● 蓝 -B

LTE-1122 Φ100mm 灯泡旋转警示灯 Φ 100 mm bulbs revolving warning lights

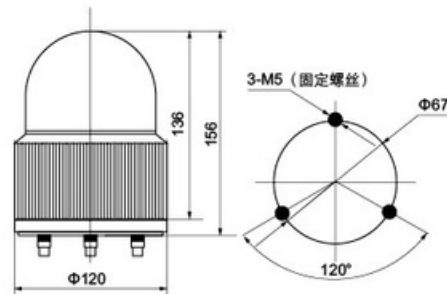
产品特点 PRODUCT FEATURES

采用噪音和磨损极小的动力传达装置
科学的抛物线形反射镜聚光效果更好, 使光线反射的很远
安装方式可选用: 磁吸式、螺栓固定式
转速: 90-130RPM
产品可加装蜂鸣器, 音量: 85dB 以上
防护等级: IP54

Using noise and wear minimal power transmission device. Scientific parabolic reflector concentrating better, so that the light reflected from very far
Installation can be used: Magnetic, bolt.
Speed: 90-130 RPM
Products can be installed buzzer
Volume: 85dB or more
Protection: IP54



外形参数 SIZE



型号 MODEL	电压 VOLTAGE	功率 POWER	颜色 COLOR
LTE-1122 LTE-1122J LTD-1122 LTD-1122J	DC12V DC24V AC110V AC220V AC380V	10W	<ul style="list-style-type: none"> ● 红 -R ● 黄 -Y ● 绿 -G ● 蓝 -B

LTE-5121 Φ120mm LED 频闪警示灯 Φ 120 mm LED strobe warning light

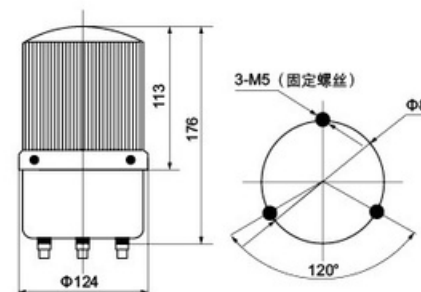
产品特点 PRODUCT FEATURES

采用超高亮度 LED 发光管光源 50000 小时的使用寿命, 节省电能, 发热量低, 无需保养常亮, LED 旋转, 闪光功能可选。
安装方式可选用: 磁吸式、螺栓固定式
闪光频率: 90-150 次 / 分
产品可加装蜂鸣器
音量: 85dB 以上
防护等级: IP54

Using ultra-high brightness LED light tube light life of 50,000 hours, saving energy, low heat, no maintenance lit, LED rotating, flashing function optional.
Installation can be used: Magnetic, bolt
Flash frequency: 90-150 beats / min
product can be installed buzzer.
Volume: 85dB or more
Protection class: IP54



外形参数 SIZE



型号 MODEL	电压 VOLTAGE	功率 POWER	颜色 COLOR
LTE-5121 LTE-5121J LTD-5121 LTD-5121J	DC12V DC24V AC110V AC220V AC380V	2W	<ul style="list-style-type: none"> ● 红 -R ● 黄 -Y ● 绿 -G ● 蓝 -B

LTE-5122 Φ120mm LED 频闪警示灯 Φ 120 mm LED strobe warning light

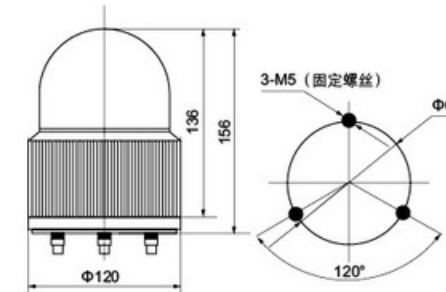
产品特点 PRODUCT FEATURES

采用超高亮度 LED 发光管光源 50000 小时的使用寿命, 节省电能, 发热量低, 无需保养常亮, LED 旋转, 闪光功能可选。
安装方式可选用: 磁吸式、螺栓固定式
闪光频率: 90-150 次 / 分
产品可加装蜂鸣器
音量: 85dB 以上
防护等级: IP54

Using ultra-high brightness LED light tube light life of 50,000 hours, saving energy, low heat, no maintenance lit, LED rotating, flashing function optional.
Installation can be used: Magnetic, bolt
Flash frequency: 90-150 beats / min
product can be installed buzzer.
Volume: 85dB or more
Protection class: IP54



外形参数 SIZE



型号 MODEL	电压 VOLTAGE	功率 POWER	颜色 COLOR
LTE-5122 LTE-5122J LTD-5122 LTD-5122J	DC12V DC24V AC110V AC220V AC380V	2W	<ul style="list-style-type: none"> ● 红 -R ● 黄 -Y ● 绿 -G ● 蓝 -B

LTD-1201 Φ120mm 灯泡旋转警示灯 Φ120 mm bulbs revolving warning lights

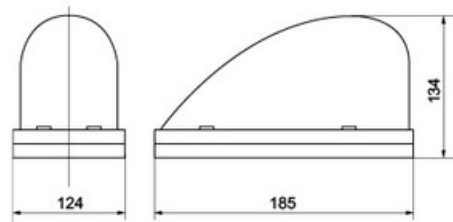
产品特点 PRODUCT FEATURES

采用低噪音不易磨损的传动方式
科学的抛物线形反射镜聚光效果更好, 使光线反射的很远
采用磁吸固定式安装更为方便
转速: 60-90RPM
防护等级: IP55

Easy to wear with low noise transmission mode, Scientific parabolic reflector concentrating better, so that the light reflected from very far
Magnet fixed installation easier
Speed:60-90RPM
Protection class:IP55



外形参数 SIZE



LTD-1201J Φ120mm 灯泡旋转警示灯 Φ120 mm bulbs revolving warning lights

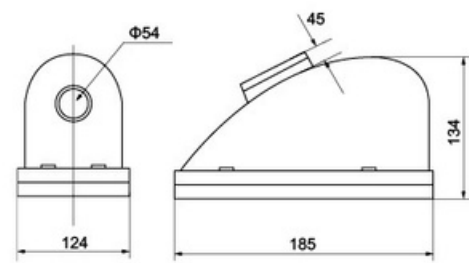
产品特点 PRODUCT FEATURES

采用低噪音不易磨损的传动方式
科学的抛物线形反射镜聚光效果更好, 使光线反射的很远
采用磁吸固定式安装更为方便
转速: 60-90RPM
防护等级: IP45

Easy to wear with low noise transmission mode, Scientific parabolic reflector concentrating better, so that the light reflected from very far
Magnet fixed installation easier
Speed:60-90RPM
Protection class:IP45



外形参数 SIZE



型号 MODEL	电压 VOLTAGE	功率 POWER	颜色 COLOR
LTD-1201	DC12V DC24V	23W	<ul style="list-style-type: none"> ● 红 -R ● 黄 -Y ● 绿 -G ● 蓝 -B

型号 MODEL	电压 VOLTAGE	功率 POWER	颜色 COLOR
LTD-1201J	DC12V DC24V	25W	<ul style="list-style-type: none"> ● 红 -R ● 黄 -Y ● 绿 -G ● 蓝 -B

LTE-1161 Φ160mm 灯泡旋转警示灯 Φ160 mm bulbs revolving warning lights

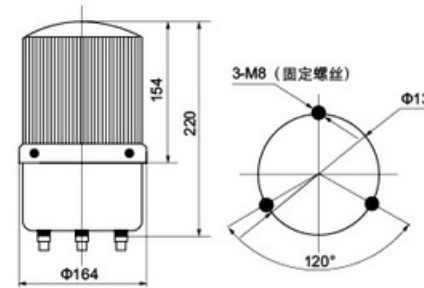
产品特点 PRODUCT FEATURES

采用噪音和磨损极小的动力传达装置
科学的抛物线形反射镜聚光效果更好, 使光线反射的很远
安装方式可选用: 磁吸式、螺栓固定式
转速: 90-130RPM
产品可加装蜂鸣器, 音量: 85dB 以上
防护等级: IP54

Using noise and wear minimal power transmission device. Scientific parabolic reflector concentrating better, so that the light reflected from very far
Installation can be used: Magnetic, bolt.
Speed: 90-130 RPM
Products can be installed buzzer
Volume: 85dB or more
Protection: IP54



外形参数 SIZE



型号 MODEL	电压 VOLTAGE	功率 POWER	颜色 COLOR
LTE-1161 LTD-1161J LTD-1161 LTD-1161J	DC12V DC24V AC110V AC220V AC380V	23W	<ul style="list-style-type: none"> ● 红 -R ● 黄 -Y ● 绿 -G ● 蓝 -B

LTE-5161 Φ160mm LED 频闪警示灯 Φ160 mm leds blinking warning light

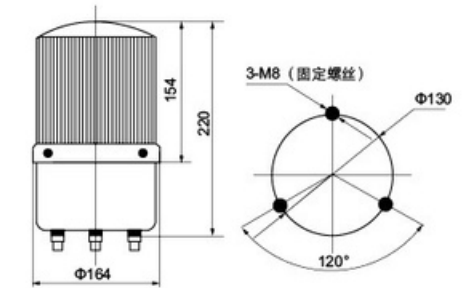
产品特点 PRODUCT FEATURES

采用超高亮度 LED 发光管光源 50000 小时的使用寿命, 节省电能, 发热量低, 无需保养常亮, LED 旋转, 闪光功能可选。
安装方式可选用: 磁吸式、螺栓固定式
闪光频率: 90-150 次 / 分
产品可加装蜂鸣器, 音量: 85dB 以上
防护等级: IP54

Using ultra-high brightness LED light tube light life of 50,000 hours, saving energy, low heat, no maintenance lit, LED rotating, flashing function optional.
Installation can be used: Magnetic, bolt
Flash frequency: 90-150 beats / min
product can be installed buzzer.
Volume: 85dB or more
Protection class:IP54



外形参数 SIZE



型号 MODEL	电压 VOLTAGE	功率 POWER	颜色 COLOR
LTE-5161 LTD-5161J LTD-5161 LTD-5161J	DC12V DC24V AC110V AC220V AC380V	3W	<ul style="list-style-type: none"> ● 红 -R ● 黄 -Y ● 绿 -G ● 蓝 -B

LTE-1181

Φ180mm 灯泡旋转警示灯
Φ 180 mm bulbs revolving warning lights

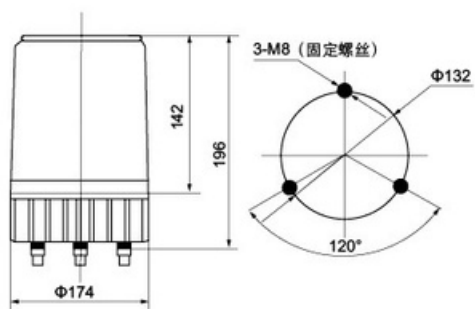
产品特点 PRODUCT FEATURES

采用噪音和磨损极小的动力传达装置
科学的抛物线形反射镜聚光效果更好, 使光线反射的很远
安装方式可选用: 磁吸式、螺栓固定式
转速: 90-130RPM
产品可加装蜂鸣器
音量: 85dB 以上
防护等级: IP54

Using noise and wear minimal power transmission device. Scientific parabolic reflector concentrating better, so that the light reflected from very far
Installation can be used: Magnetic, bolt.
Speed: 90-130 RPM
Products can be installed buzzer
Volume: 85dB or more
Protection: IP54



外形参数 SIZE



LTE-5181

Φ180mm LED 频闪警示灯
Φ 180 mm leds blinking warning light

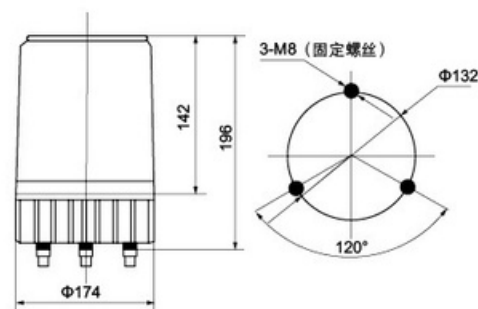
产品特点 PRODUCT FEATURES

采用超高亮度 LED 发光管光源 50000 小时的使用寿命, 节省电能, 发热量低, 无需保养常亮, LED 旋转, 闪光功能可选。
安装方式可选用: 磁吸式、螺栓固定式
闪光频率: 90-150 次 / 分
产品可加装蜂鸣器
音量: 85dB 以上
防护等级: IP54

Using ultra-high brightness LED light tube light life of 50,000 hours, saving energy, low heat, no maintenance lit, LED rotating, flashing function optional.
Installation can be used: Magnetic, bolt
Flash frequency: 90-150 beats / min
product can be installed buzzer.
Volume: 85dB or more
Protection class: IP54



外形参数 SIZE



型号 MODEL	电压 VOLTAGE	功率 POWER	颜色 COLOR
LTE-1181 LTE-1181J LTD-1181 LTD-1181J	DC12V DC24V AC110V AC220V AC380V	35W	<ul style="list-style-type: none"> ● 红 -R ● 黄 -Y ● 绿 -G ● 蓝 -B

LTE-5051

Φ70mm LED 常亮 / 闪亮型警示灯
Φ 70 mm LED constant/flashing warning light

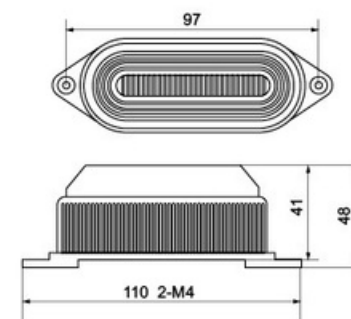
产品特点 PRODUCT FEATURES

采用超高亮度 LED 发光管光源;
50000 小时的使用寿命, 节省电能, 发热量低, 无需保养;
产品结构精巧, 固定方式灵活简便
产品设闪光型或常亮型
闪光频率: 90-150 次 / 分
防护等级: IP45

Using ultra-high brightness LED light tube light;
50,000 hours of life, saving energy, low heat, no maintenance;
product structure compact, flexible and easy fixation,
Always flash-based product design or type
Flash frequency: 90-150 beats/min
Protection class: IP45



外形参数 SIZE



型号 MODEL	电压 VOLTAGE	功率 POWER	颜色 COLOR
LTE-5051	DC12V DC24V AC110V AC220V	2W	<ul style="list-style-type: none"> ● 红 -R ● 黄 -Y ● 绿 -G ● 蓝 -B

LTE-5095Z

Φ120mm LED 频闪警示灯
Φ 120 mm leds blinking warning light

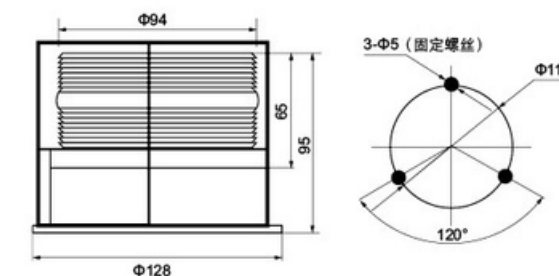
产品特点 PRODUCT FEATURES

采用超高亮度 LED 发光管光源 50000 小时的使用寿命, 节省电能, 发热量低, 无需保养常亮, LED 旋转, 闪光功能可选。
安装方式可选用: 磁吸式、螺栓固定式
闪光频率: 90-150 次 / 分
产品可加装蜂鸣器
音量: 85dB 以上
防护等级: IP54

Using ultra-high brightness LED light tube light life of 50,000 hours, saving energy, low heat, no maintenance lit, LED rotating, flashing function optional.
Installation can be used: Magnetic, bolt
Flash frequency: 90-150 beats / min
product can be installed buzzer. Volume: 85dB or more
Protection class: IP54



外形参数 SIZE



型号 MODEL	电压 VOLTAGE	功率 POWER	颜色 COLOR
LTE-5095Z	DC12V DC24V AC110V AC220V AC380V	2W	<ul style="list-style-type: none"> ● 红 -R ● 黄 -Y ● 绿 -G ● 蓝 -B

LTD-5086 Φ80mm LED 闪亮型警示灯 (电池供电) Φ 80 mm LED flashing warning light (battery powered)

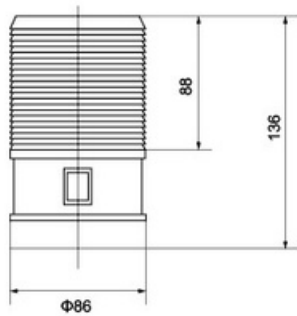
产品特点 PRODUCT FEATURES

独特的闪光型灯罩，使光源信号的可见度更好
内置四节 5 号干电池，适用于无电源场所
电池可连续工作 24 小时
防护等级：IP45

The unique flash-type shade, making visibility better light signal
Built-four on the 5th battery, suitable for places without power
Battery can work for 24 hours
Protection class:IP45



外形参数 SIZE



型号 MODEL	电压 VOLTAGE	功率 POWER	颜色 COLOR
LTD-5086	DC6V	2W	<ul style="list-style-type: none"> ● 红 -R ● 黄 -Y ● 绿 -G ● 蓝 -B

LTD-5088 Φ80mm LED 闪亮型警示灯 (电池供电) Φ 80 mm LED flashing warning light (battery powered)

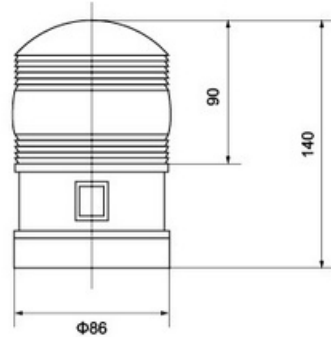
产品特点 PRODUCT FEATURES

独特的闪光型灯罩，使光源信号的可见度更好
内置四节 5 号干电池，适用于无电源场所
电池可连续工作 24 小时
防护等级：IP45

The unique flash-type shade, making visibility better light signal
Built-four on the 5th battery, suitable for places without power
Battery can work for 24 hours
Protection class:IP45



外形参数 SIZE



型号 MODEL	电压 VOLTAGE	功率 POWER	颜色 COLOR
LTD-5088	DC6V	2W	<ul style="list-style-type: none"> ● 红 -R ● 黄 -Y ● 绿 -G ● 蓝 -B

LTE-2071 Φ70mm LED 常亮 / 闪亮型警示灯 Φ 70 mm LED constant/flashing warning light

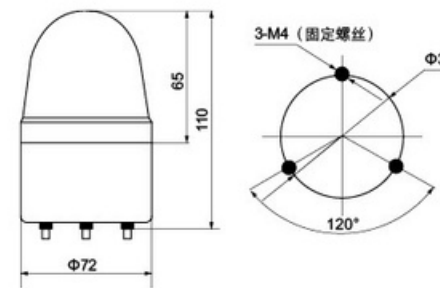
产品特点 PRODUCT FEATURES

采用超高亮度 LED 发光管光源；50000 小时的使用寿命节省电能，
发热量低，无需保养；产品结构精巧，固定方式灵活简便
产品设闪光型或常亮型
闪光频率：90-150 次 / 分
产品底部可加装蜂器
音量：85dB 以上
防护等级：IP45

Using ultra-high brightness LED light tube light; 50,000 hours of life,
saving energy, low heat, no maintenance; product structure compact,flexible and easy fixation
Always flash-based product design or type
Flash frequency : 90-150 beats / min
Bottom of the product can be installed Bee Products
Volume:85dB or more
Protection : IP45



外形参数 SIZE



型号 MODEL	电压 VOLTAGE	功率 POWER	颜色 COLOR
LTE-2071 LTE-2071J LTD-2071	DC12V DC24V AC110V AC220V AC380V	2W	<ul style="list-style-type: none"> ● 红 -R ● 黄 -Y ● 绿 -G ● 蓝 -B

LTE-5075 Φ70mm LED 常亮 / 闪亮型警示灯 Φ 70 mm LED constant/flashing warning light

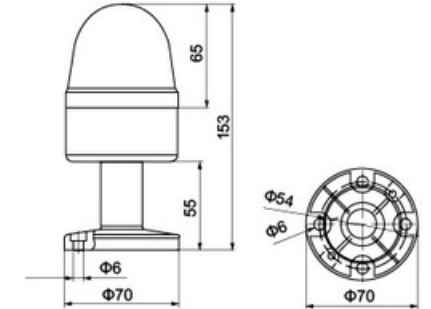
产品特点 PRODUCT FEATURES

采用超高亮度 LED 发光管光源；50000 小时的使用寿命节省电能，
发热量低，无需保养；产品结构精巧，固定方式灵活简便
产品设闪光型或常亮型
闪光频率：90-150 次 / 分
产品底部可加装蜂器
音量：85dB 以上
防护等级：IP45

Using ultra-high brightness LED light tube light; 50,000 hours of life,
saving energy, low heat, no maintenance; product structure compact,flexible and easy fixation
Always flash-based product design or type
Flash frequency : 90-150 beats / min
Bottom of the product can be installed Bee Products
Volume:85dB or more
Protection : IP45



外形参数 SIZE



型号 MODEL	电压 VOLTAGE	功率 POWER	颜色 COLOR
LTE-5075 LTE-5075J	DC12V DC24V AC110V AC220V	2W	<ul style="list-style-type: none"> ● 红 -R ● 黄 -Y ● 绿 -G ● 蓝 -B

LTE-5092 Φ95mm LED 常亮 / 频闪型警示灯 Φ95mm LED constant light/strobe warning light

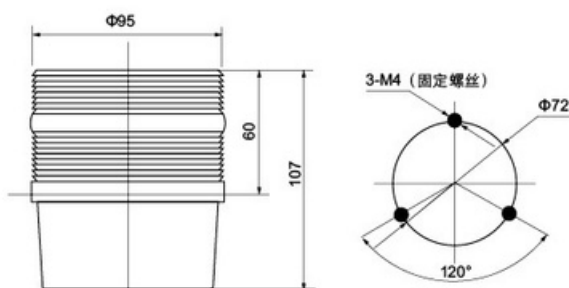
产品特点 PRODUCT FEATURES

采用超高亮度 LED 发光管光源
50000 小时的使用寿命, 节省电能, 发热量低, 无需保养
LED 常亮 闪光功能可选, 产品结构精巧
固定方式: 磁吸式、螺丝安装式
闪光频率: 60-90 次 / 分
防护等级: IP54

Using ultra-high brightness LED light tube light
50,000 hours of saving energy, low heat, no maintenance lit, LED rotating, flashing function optional.
Installation can be used: Magnetic, screw mounted
Flash frequency: 60-90 beats / min
Protection class: IP54



外形参数 SIZE



LTE-5095 Φ95mm LED 常亮 / 频闪型警示灯 Φ95mm LED constant light/strobe warning light

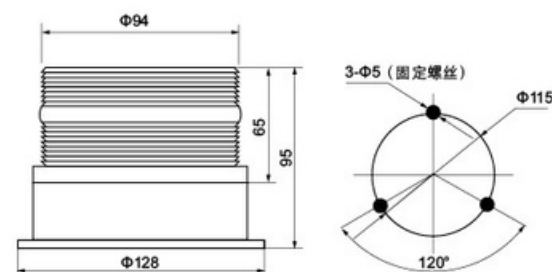
产品特点 PRODUCT FEATURES

采用超高亮度 LED 发光管光源
50000 小时的使用寿命, 节省电能, 发热量低, 无需保养常亮, LED 旋转, 闪光功能可选。
安装方式可选用: 磁吸式、螺丝安装式
闪光频率: 60-90 次 / 分
音量: 85dB 以上
防护等级: IP54

Using ultra-high brightness LED light tube light life of 50,000 hours, saving energy, low heat, no maintenance lit, LED rotating, flashing function optional.
Installation can be used: Magnetic, screw mounted
Flash frequency: 60-90 beats / min
Volume: 85dB or more
Protection class: IP54



外形参数 SIZE



型号 MODEL	电压 VOLTAGE	功率 POWER	颜色 COLOR
LTE-5092 LTD-5092	DC12V DC24V AC110V AC220V 注: AC/DC12-100V (宽电压可定制)	6W	<ul style="list-style-type: none"> ● 红 -R ● 黄 -Y ● 绿 -G ● 蓝 -B ● 红蓝 -R/B

LTE-5152 Φ120mm LED 常亮 / 频闪型警示灯 Φ120mm LED constant light/strobe warning light

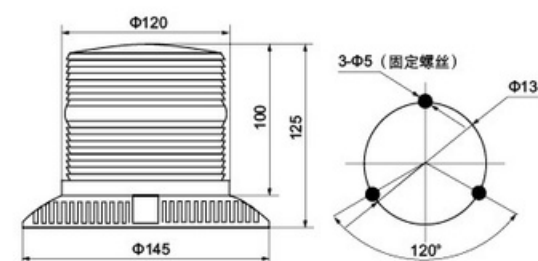
产品特点 PRODUCT FEATURES

采用超高亮度 LED 发光管光源
50000 小时的使用寿命, 节省电能, 发热量低, 无需保养
LED 常亮, 闪光功能可选产品结构精巧
固定方式: 磁吸式、螺丝安装式
闪光频率: 60-90 次 / 分
防护等级: IP54

Using ultra-high brightness LED light tube light
50,000 hours of service life, energy saving, low heat, no maintenance LED lit, flash function optional
Product structure compact, fixed way: magnetic-type, screw-mounted
Flash frequency: 60-90 times / min
Protection: IP54



外形参数 SIZE



型号 MODEL	电压 VOLTAGE	功率 POWER	颜色 COLOR
LTE-5152 LTD-5152	DC12V DC24V AC110V AC220V	6W	<ul style="list-style-type: none"> ● 红 -R ● 黄 -Y ● 绿 -G ● 蓝 -B ● 红蓝 -R/B

LTE-5153 Φ120mm LED 常亮 / 频闪型警示灯 Φ120mm LED constant light/strobe warning light

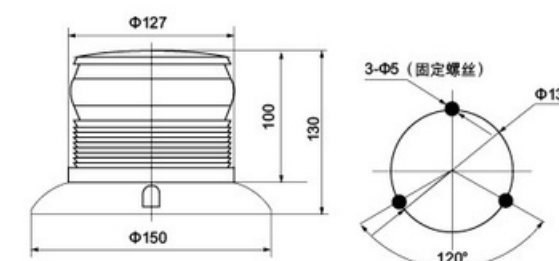
产品特点 PRODUCT FEATURES

采用超高亮度 LED 发光管光源
50000 小时的使用寿命, 节省电能, 发热量低, 无需保养
LED 常亮, 闪光功能可选产品结构精巧
固定方式: 磁吸式、螺丝安装式
闪光频率: 60-90 次 / 分
防护等级: IP54

Using ultra-high brightness LED light tube light
50,000 hours of service life, energy saving, low heat, no maintenance LED lit, flash function optional
Product structure compact, fixed way: magnetic-type, screw-mounted
Flash frequency: 60-90 times / min
Protection: IP54



外形参数 SIZE



型号 MODEL	电压 VOLTAGE	功率 POWER	颜色 COLOR
LTE-5153 LTD-5153	DC12V DC24V AC110V AC220V	6W	<ul style="list-style-type: none"> ● 红 -R ● 黄 -Y ● 绿 -G ● 蓝 -B ● 红蓝 -R/B

LTG-5093 摩托车前雾灯

Motorcycle headlights

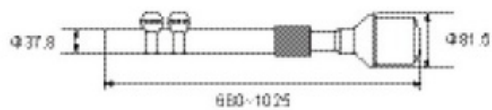
产品特点 PRODUCT FEATURES

采用超高亮度 LED 发光管光源
50000 小时的使用寿命 节省电能, 发热量低, 无需保养
LED 常亮 闪光功能可选 产品结构精巧
固定方式灵活简便
闪光频率: 90-150 次 / 分
防护等级: IP54

Using ultra-high brightness LED light tube light
50,000 hours of service life, energy saving, low heat, no maintenance
LED lit, flash function optional
Product structure compact, flexible and easy fixation
Flash frequency: 90-150 times / min
Protection: IP54



外形参数 SIZE



型号 MODEL	电压 VOLTAGE	功率 POWER	颜色 COLOR
LTG-5093	DC12V DC24V DC48V	3W	<ul style="list-style-type: none"> ● 红 -R ● 黄 -Y ● 蓝 -B ● 红蓝 -R/B

LTE-5088C 充电式 LED 警示灯

Rechargeable LED warning light

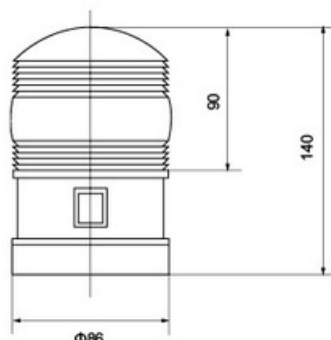
产品特点 PRODUCT FEATURES

采用 18650 型 3.7V 2800mA 锂电池
充一次电可连续用 36-48 小时
充电器内部线路采用过充保护, 充满电时指示灯变绿色自动停止充电,
保护电池过充
电池加装过放保护线路当电压低于 2.7V 时自动停止工作应及时充电,
保护电池过充
每只产品都配有 只 5V.500mA 充电器

Use of type 18650 2800mA lithium battery
An electric charge can be used for 36-50 hours in a continuous period
The inner circuit of the charger is overcharged, and the indicator light is turned green to stop charging, and the battery overcharge is protected.
Battery overload protection circuit when the voltage is less than 2.7V automatically stop work should be timely recharged and protect battery discharge
Each product is equipped with a 5V.500mA charger



外形参数 SIZE



型号 MODEL	电压 VOLTAGE	功率 POWER	颜色 COLOR
LTD-5088C LTD-5088CJ	3.7V	1.2W	<ul style="list-style-type: none"> ● 红 -R ● 黄 -Y

SOLAR WARNING LIGHT

太阳能警示灯

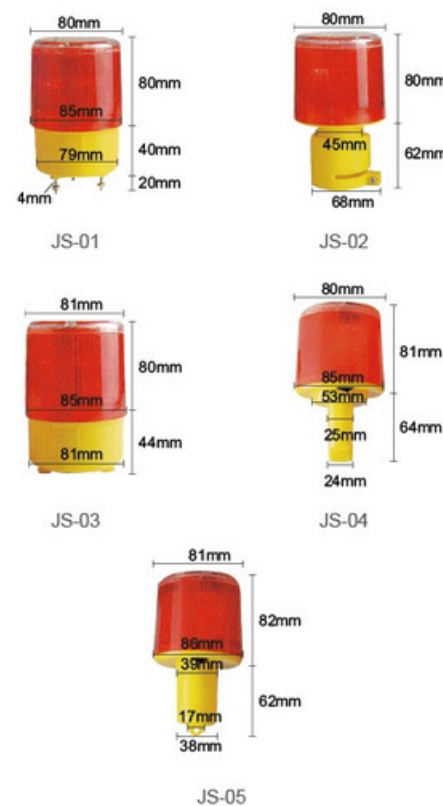
产品特点 PRODUCT FEATURES

重量: 160-225G
蓄电池容量: 500mAh
太阳能板: 100mA
灯光颜色: 红 / 黄 / 绿 / 蓝
LED 个数: 3-4 个
闪光频率: 50 次 / 分钟
可视范围: 500-1000 米 (夜间)
满电持续: 60 小时
包装方式: 彩盒 (整箱 60 个)
太阳能警示灯, 不接电线, 内置充电
电池充电, 晚上自动闪烁, 无需维护。
主要应用于路政工程, 交通警示, 塔
吊, 高层建筑, 船舶, 大桥, 铁塔,
海洋, 勘探等领域。有效降低事故的
发生率, 保障安全。

1.Weight: 160-225G
2.Battery capacity:500mAh
3.Solar panel: 100mA
4. Light colour: red/yellow/green/blue
5. LED quantity: 3-4pcs
6.Flashing frequency:50times/minute
7.Visible range: 500-1000m(nighttime)
8.Leakage continuous time: 60 hours
Solar warning light , no need connect with
wire, with internal battery ,flash automatically
at night time, no maintenance,mainly use for
building tower ship iron tower,machines,ocean
exploring work, to help bringing down the
accident incident rate,make sure safety!



外形参数 SIZE



型号 MODEL	电压 VOLTAGE	功率 POWER	声压级 SOUND PRESSURE
BXG-100	DC12V DC24V AC110V AC220V	10W	120dB

BXG-100 声光电子哨鸣器

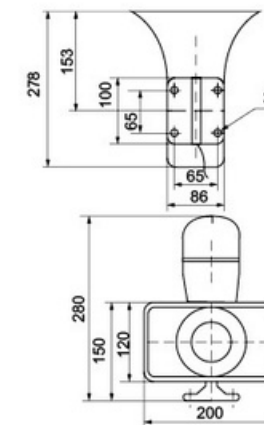
Acousto-optic electronic hum

产品特点 PRODUCT FEATURES

本产品具有六种语音, 一种报警铃供用户现场使用选择。
语音内容:
1、皮带启动请注意 2、注意有人上下车 3、设备启动请注意
4、注意车上有人作业 5、你好请注意安全 6、火车来了请注意
7、直接提供警铃声音 (一次订购 50 台以上可根据客户需求录制语音)
报警器外部设有语音调节开关、音量调节开关可以在恶劣的环境下正常工作
报警功能。
使用方式简单, 可长时间连续工作。
专用集成芯片设计, 超强的电磁抗干扰性能。
闪光灯内芯采用单片机特制而成, 每秒闪光次数可以根据客户要求制定。
多种组合配置方式, 操作使用方便。
外壳采用铝合金压铸而成, 结构美观, 能有效的抵御盐雾腐蚀
特殊结构设计, 具有良好的防水防潮、抗震功能。



外形参数 SIZE



型号 MODEL	电压 VOLTAGE	功率 POWER	声压级 SOUND PRESSURE
BXG-100	DC12V DC24V AC110V AC220V	10W	120dB

LTE-5130 Φ110mm LED 太阳能警示灯 Φ 110 mm LED solar warning light

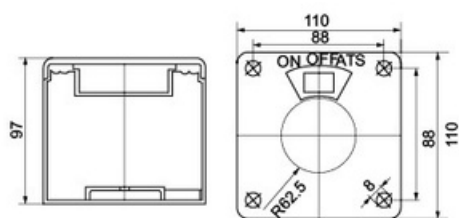
产品特点 PRODUCT FEATURES

超亮度 LED 使用寿命: 20000 小时
光控模式: 白天自动关闭, 夜间自动闪光
电池: 3 节 1000mA 镍氢充电电池
太阳能充电板: 90*90mm 120mA
8 小时充电可持续工作 120-150 小时

Ultra bright LED life: 20000 hours
Light control mode: automatic daytime closure, night automatic flash
Battery: 31000mAh NiMH rechargeable battery
Solar charging board: 90*90mm, 120mA
8 hour charging for 120-150 hours



外形参数 SIZE



LTE-6108 Φ110mm LED 太阳能警示灯 Φ 110 mm LED solar warning light

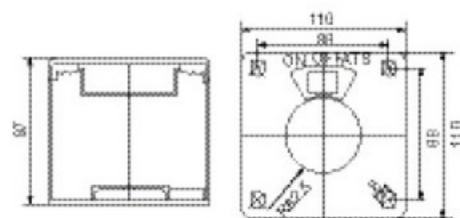
产品特点 PRODUCT FEATURES

超亮度 LED 使用寿命: 20000 小时
光控模式: 白天自动关闭, 夜间自动闪光
电池: 3 节 1000mA 镍氢充电电池
太阳能充电板: 90*90mm 120mA
8 小时充电可持续工作 120-150 小时

Ultra bright LED life: 20000 hours
Light control mode: automatic daytime closure, night automatic flash
Battery: 31000mAh NiMH rechargeable battery
Solar charging board: 90*90mm, 120mA
8 hour charging for 120-150 hours



外形参数 SIZE



型号 MODEL	电压 VOLTAGE	功率 POWER	颜色 COLOR
LTE-6108	DC3.7V	1.2W	● 红 -R ● 黄 -Y

LTD-5095S Φ110mm LED 太阳能警示灯 Φ 110 mm LED solar warning light

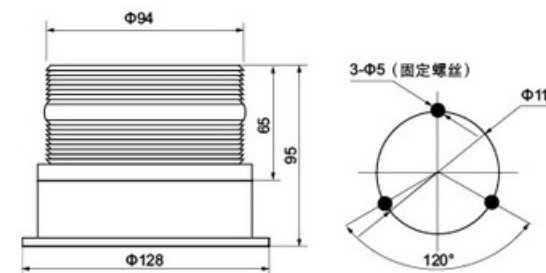
产品特点 PRODUCT FEATURES

超亮度 LED 使用寿命: 20000 小时
光控模式: 白天自动关闭, 夜间自动闪光
电池: 2 节 3.7V1000mA 充电锂电池
太阳能充电板: 90*90mm, 120mA
8 小时充电可持续工作 120-150 小时

Ultra bright LED life: 20000 hours
Light control mode: automatic daytime closure, night automatic flash
Battery: 2 3.7V1000mAh Rechargeable lithium battery
Solar charging board: 90*90mm, 120mA
8 hour charging for 120-150 hours



外形参数 SIZE



型号 MODEL	电压 VOLTAGE	功率 POWER	颜色 COLOR
LTD-5095S	DC3.7V	2W	● 红 -R ● 黄 -Y

LTD-5162S Φ160mm LED 太阳能警示灯 Φ 160 mm LED solar warning light

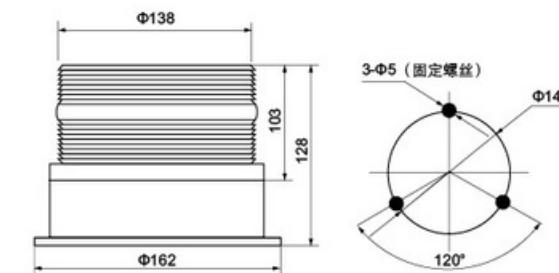
产品特点 PRODUCT FEATURES

超亮度 LED 使用寿命: 20000 小时
光控模式: 白天自动关闭, 夜间自动闪光
电池: 2 节 1800mA 充电锂电池
太阳能充电板: 90*90mm, 120mA
8 小时充电可持续工作 120-150 小时

Ultra bright LED life: 20000 hours
Light control mode: automatic daytime closure, night automatic flash
Battery: 2 1800mAh Rechargeable lithium battery
Solar charging board: 90*90mm, 120mA
8 hour charging for 120-150 hours

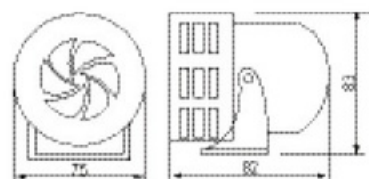
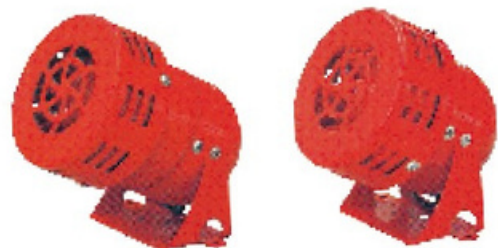


外形参数 SIZE



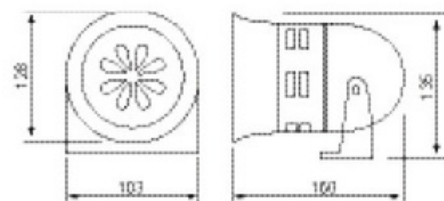
型号 MODEL	电压 VOLTAGE	功率 POWER	颜色 COLOR
LTD-5162S	DC3.7V	6W	● 红 -R ● 黄 -Y

MS-190 电动报警器 Electric alarm



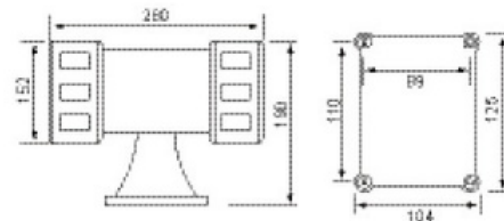
型号 MODEL	电压 VOLTAGE	功率 POWER	声压级 SOUND PRESSURE
MS-190	DC12V DC24V AC110V AC220V	20W 50W	105-115dB

MS-290 电动报警器 Electric alarm



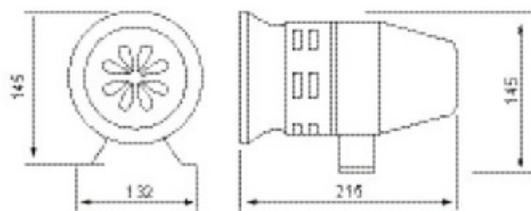
型号 MODEL	电压 VOLTAGE	功率 POWER	声压级 SOUND PRESSURE
MS-290	DC12V DC24V AC110V AC220V	40W 60W	105-115dB

MS-590 双向电动报警器 (风螺) Two-way electric alarm (winch)



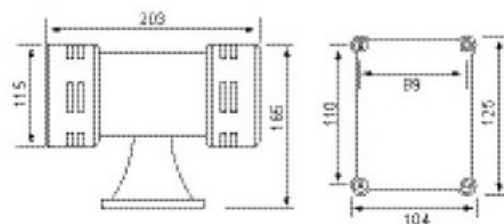
型号 MODEL	电压 VOLTAGE	功率 POWER	声压级 SOUND PRESSURE
MS-590	AC110V AC220V	300W	110-115dB

MS-390 电动报警器 Electric alarm



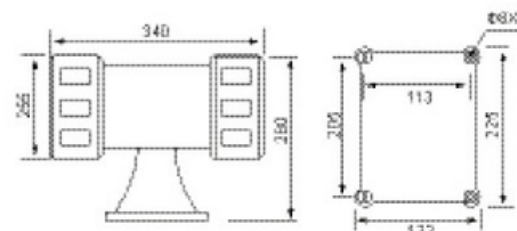
型号 MODEL	电压 VOLTAGE	功率 POWER	声压级 SOUND PRESSURE
MS-390	DC12V DC24V AC110V AC220V	60W 100W	105-115dB

MS-490 双向电动报警器 (风螺) Two-way electric alarm (winch)



型号 MODEL	电压 VOLTAGE	功率 POWER	声压级 SOUND PRESSURE
MS-490	AC110V AC220V	230W	110-120dB

MS-790 双向电动报警器 (风螺) Two-way electric alarm (winch)



型号 MODEL	电压 VOLTAGE	功率 POWER	声压级 SOUND PRESSURE
MS-790	AC110V AC220V	300W	105-115dB

SINGLE-LAYER TRICOLOR LAMP 单层三色灯

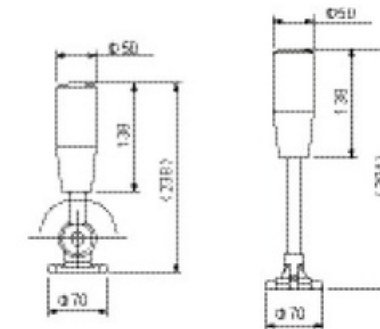
产品特点 PRODUCT FEATURES

应用范围：数控机床设备、纺织机械、安防设备、安检设备、电子机械、自动化生产线、LED封装、分光设备、激光设备、食品灌装设备、陶瓷加工设备、自动化仓库等。人机交互界面。

Scope of application : CNC machine tools , textile machinery , security equipment , security equipment , ElectronicsMachinery, Automation Production Line, LEDPackaging, Spectroscopic Equipment, Laser Equipment, Food FillingHuman-machine interface such as equipment, ceramic processing equipment,automated warehouse , etc .



外形参数 SIZE



产品电流	单色: 50mA, 蜂鸣器: 15mA
闪光频率	60-70 周次 / 分
蜂鸣音量	>85dB
防护等级	IP54(带蜂鸣)
表面温度	<50°C
灯具寿命	50000H
产品颜色	黑色 / 白色
安装方式	螺丝固定
产品材料	灯体: ABS; 灯罩: PC; 底座: ABS

LTE-5100 Φ100mm LED 常亮 / 频闪型警示灯 Φ100mm LED constant light/strobe warning light

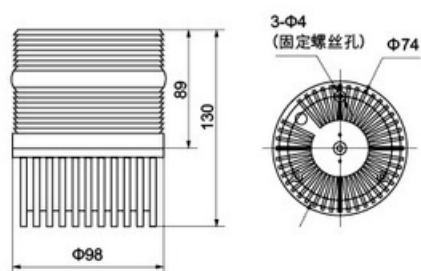
产品特点 PRODUCT FEATURES

采用超高亮度 LED 发光管光源
50000 小时的使用寿命, 节省电能, 发热量低, 无需保养
LED 常亮, 闪光功能可选产品结构精巧
固定方式: 磁吸式、螺丝安装式
闪光频率: 60-90 次 / 分
防护等级: IP54

Using ultra-high brightness LED light tube light
50,000 hours of service life, energy saving, low heat, no maintenance
LED lit, flash function optional
Product structure compact, fixed way: magnetic-type, screw-mounted
Flash frequency: 60-90 times / min
Protection: IP54



外形参数 SIZE



型号 MODEL	电压 VOLTAGE	功率 POWER	颜色 COLOR
LTE-5100 LTD-5100	DC12V DC24V AC110V AC220V	6W	<ul style="list-style-type: none"> ● 红 -R ● 黄 -Y ● 绿 -G ● 蓝 -B ● 红蓝 -R/B

LTE-5111 Φ110mm LED 常亮 / 频闪型警示灯 Φ110mm LED constant light/strobe warning light

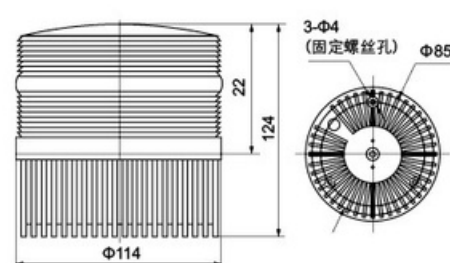
产品特点 PRODUCT FEATURES

采用超高亮度 LED 发光管光源
50000 小时的使用寿命, 节省电能, 发热量低, 无需保养
LED 常亮, 闪光功能可选产品结构精巧
固定方式: 磁吸式、螺丝安装式
闪光频率: 60-90 次 / 分
防护等级: IP54

Using ultra-high brightness LED light tube light
50,000 hours of service life, energy saving, low heat, no maintenance
LED lit, flash function optional
Product structure compact, fixed way: magnetic-type, screw-mounted
Flash frequency: 60-90 times / min
Protection: IP54



外形参数 SIZE



型号 MODEL	电压 VOLTAGE	功率 POWER	颜色 COLOR
LTE-5111 LTD-5111	DC12V DC24V AC110V AC220V	6W	<ul style="list-style-type: none"> ● 红 -R ● 黄 -Y ● 绿 -G ● 蓝 -B ● 红蓝 -R/B

LTE-5162 Φ160mm LED 常亮 / 频闪型警示灯 Φ160mm LED constant light/strobe warning light

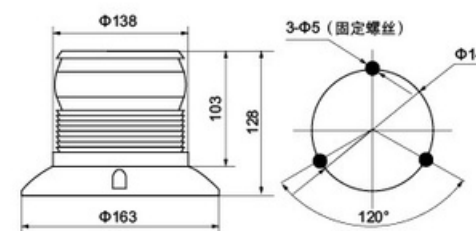
产品特点 PRODUCT FEATURES

采用超高亮度 LED 发光管光源
50000 小时的使用寿命, 节省电能, 发热量低, 无需保养
LED 常亮, 闪光功能可选产品结构精巧
固定方式: 磁吸式、螺丝安装式
闪光频率: 60-90 次 / 分
防护等级: IP54

Using ultra-high brightness LED light tube light
50,000 hours of service life, energy saving, low heat, no maintenance
LED lit, flash function optional
Product structure compact, fixed way: magnetic-type, screw-mounted
Flash frequency: 60-90 times / min
Protection: IP54



外形参数 SIZE



型号 MODEL	电压 VOLTAGE	功率 POWER	颜色 COLOR
LTE-5162 LTD-5162	DC12V DC24V AC110V AC220V	12W	<ul style="list-style-type: none"> ● 红 -R ● 黄 -Y ● 绿 -G ● 蓝 -B ● 红蓝 -R/B

LTE-5163 Φ160mm LED 常亮 / 频闪型警示灯 Φ160mm LED constant light/strobe warning light

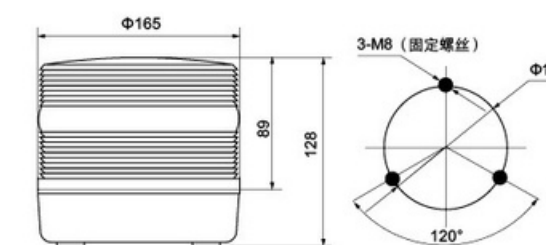
产品特点 PRODUCT FEATURES

采用超高亮度 LED 发光管光源
50000 小时的使用寿命, 节省电能, 发热量低, 无需保养
LED 常亮, 闪光功能可选产品结构精巧
固定方式: 磁吸式、螺丝安装式
闪光频率: 60-90 次 / 分
防护等级: IP54

Using ultra-high brightness LED light tube light
50,000 hours of service life, energy saving, low heat, no maintenance
LED lit, flash function optional
Product structure compact, fixed way: magnetic-type, screw-mounted
Flash frequency: 60-90 times / min
Protection: IP54



外形参数 SIZE



型号 MODEL	电压 VOLTAGE	功率 POWER	颜色 COLOR
LTE-5163 LTD-5163	DC12V DC24V AC110V AC220V	12W	<ul style="list-style-type: none"> ● 红 -R ● 黄 -Y ● 绿 -G ● 蓝 -B ● 红蓝 -R/B

LTE-5151 Φ160mm LED 常亮 / 频闪型警示灯 Φ160mm LED constant light/strobe warning light

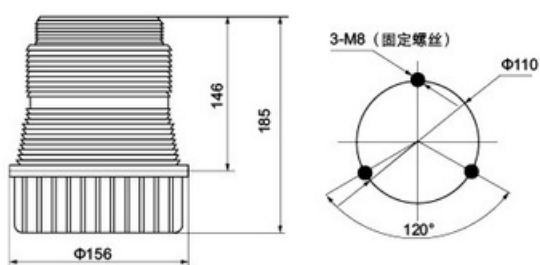
产品特点 PRODUCT FEATURES

采用超高亮度 LED 发光管光源
50000 小时的使用寿命, 节省电能, 发热量低, 无需保养
LED 常亮, 闪光功能可选产品结构精巧
固定方式: 磁吸式、螺丝安装式
闪光频率: 60-90 次 / 分
防护等级: IP54

Using ultra-high brightness LED light tube light
50,000 hours of service life, energy saving, low heat, no maintenance
LED lit, flash function optional
Product structure compact, fixed way: magnetic-type, screw-mounted
Flash frequency: 60-90 times / min
Protection: IP54



外形参数 SIZE



LTE-5036 LED 频闪警示灯 LED strobe warning light

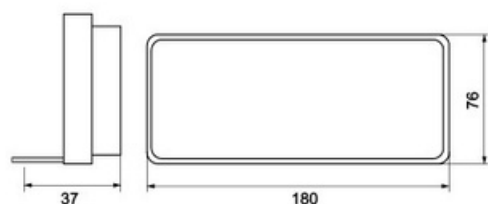
产品特点 PRODUCT FEATURES

采用超高亮度 LED 发光管光源
50000 小时的使用寿命, 节省电能, 发热量低, 无需保养
LED 常亮, 闪光功能可选, 产品结构精巧
固定方式灵活简便
闪光频率: 90-150 次 / 分
防护等级: IP54

Using ultra-high brightness LED light tube light
50,000 hours of service life, energy saving, low heat, no maintenance
LED lit, flash function optional
Product structure compact, flexible and easy fixation
Flash frequency: 90-150times / min
Protection: IP54



外形参数 SIZE



型号 MODEL	电压 VOLTAGE	功率 POWER	颜色 COLOR
LTE-5036	DC12V DC24V	6W	<ul style="list-style-type: none"> ● 红 -R ● 黄 -Y ● 白 -W ● 蓝 -B

LTE-5018 LED 频闪型警示灯 LED strobe warning light

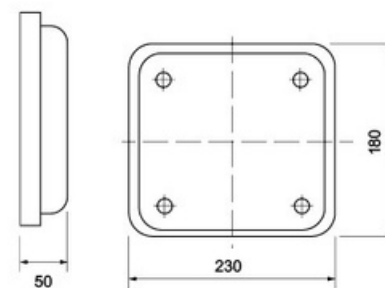
产品特点 PRODUCT FEATURES

采用超高亮度 LED 发光管光源
50000 小时的使用寿命, 节省电能, 发热量低, 无需保养
LED 常亮, 闪光功能可选产品结构精巧
固定方式灵活简便
闪光频率: 90-150 次 / 分
防护等级: IP54

Using ultra-high brightness LED light tube light
50,000 hours of service life, energy saving, low heat, no maintenance
LED lit, flash function optional
Fixed mode is flexible and convenient
Flash frequency: 90-150 times / min
Protection: IP54



外形参数 SIZE



型号 MODEL	电压 VOLTAGE	功率 POWER	颜色 COLOR
LTE-5018 LTD-5018D	DC12V DC24V	8W	<ul style="list-style-type: none"> ● 红 -R ● 黄 -Y ● 绿 -G ● 蓝 -B

LTE-5013 摩托车前雾灯 Motorcycle headlights

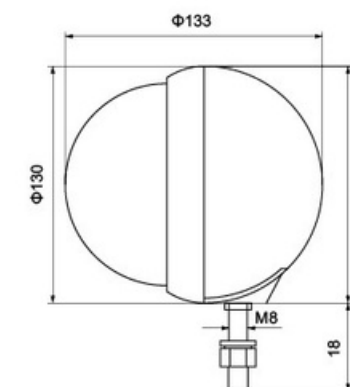
产品特点 PRODUCT FEATURES

采用超高亮度 LED 发光管光源
50000 小时的使用寿命, 节省电能, 发热量低, 无需保养
LED 常亮, 闪光功能可选产品结构精巧
固定方式灵活简便
闪光频率: 90-150 次 / 分
防护等级: IP54

Using ultra-high brightness LED light tube light
50,000 hours of service life, energy saving, low heat, no maintenance
LED lit, flash function optional
Fixed mode is flexible and convenient
Flash frequency: 60-90 times / min
Protection: IP54



外形参数 SIZE



型号 MODEL	电压 VOLTAGE	功率 POWER	颜色 COLOR
LTE-5013	DC12V DC24V	6W	<ul style="list-style-type: none"> ● 红 -R ● 黄 -Y ● 绿 -G ● 蓝 -B

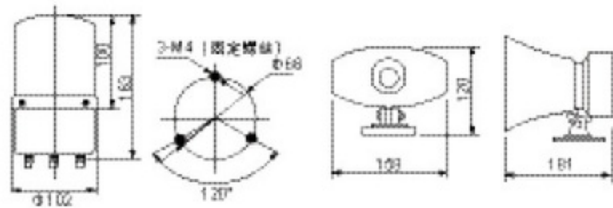
ML-20/5101/1101 Φ110mm 声光一体警示灯 Φ110 mm Acousto-optic alarm

产品特点 PRODUCT FEATURES

采用超高亮度 LED 发光管光源 50000 小时的使用寿命, 节省电能, 发热量低无需保养常亮、LED 旋转、闪光功能可选
 安装方式可选用: 磁吸式、螺栓固定式
 闪光频率: 90-150 次/分
 喇叭功率: 20W
 音量: 115dB 以上
 防护等级: IP54
 Using ultra-high brightness LED light tube light life of 50,000 hours, saving energy, low heat, no maintenance lit, LED rotating, flashing function optional
 Installation can be used: Magnetic, bolt
 Flash frequency: 90-150 beats / min
 Speaker Power: 20W
 Volume: 115dB or more
 Protection: IP54



外形参数 SIZE



型号 MODEL	电压 VOLTAGE	功率 POWER	颜色 COLOR
ML20-5101	DC12V DC24V AG110V AC220V AC380V	30W	<ul style="list-style-type: none"> ● 红 -R ● 黄 -Y ● 绿 -G ● 蓝 -B

LTD-5096 频闪警示灯 Stroboscopic warning light

产品特点 PRODUCT FEATURES

采用超高亮度 LED 发光管光源 50000 小时的使用寿命, 节省电能, 发热量低无需保养常亮、LED 闪光功能可选
 安装方式可选用: 磁吸式
 闪光频率: 90-150 次/分
 防护等级: IP54
 Ultra-high brightness LED light source can save 50,000 hours of service life and energy. Low calorific value, no need to maintain constant brightness, LED flash function is optional
 Installation options: magnetic suction type, magnetic suction type.
 Flash frequency: 90-150 times per minute
 Protection Level: IP54



外形参数 SIZE

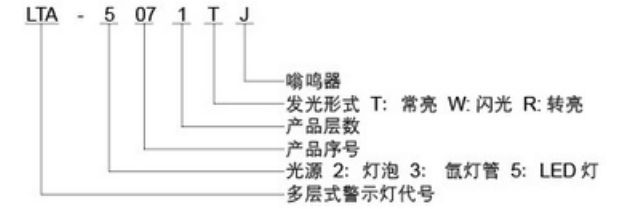


型号 MODEL	电压 VOLTAGE	功率 POWER	颜色 COLOR
LTD-5096	DC12V DC24V	6 W	<ul style="list-style-type: none"> ● 红 -R ● 黄 -Y ● 红蓝 -R/B

多层式警示灯附件 Multilayer warning lamp attachment

外形 SHAPE	品名 PARTS NAME	尺寸 SIZE
	BS-1	
	BS-2	
	BS-3	
	BS-4	
	BS-5	
	BS-6	
	BS-8	
	BS-9	

型号说明 Model specification



接线图 CONNECTION DIAGRAM

