

# PRODUCT LIST



**01**  
Microwave Sensor



**04**  
Infrared Motion Sensor



**11**  
Wi-Fi & BLE Sensor



**12**  
Infrared Sensor Light



**19**  
Solar Sensor Light



**20**  
Microwave Sensor Light



**22**  
Light-control Switch  
(photocell)

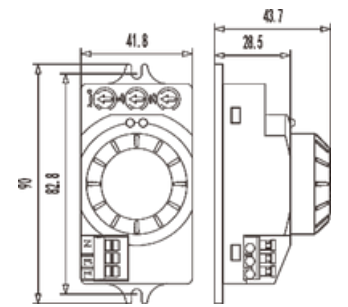
## Microwave Sensor



CAE2001A

### SPECIFICATIONS

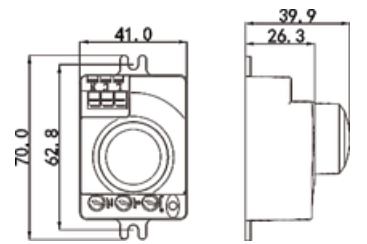
- Power Supply: 110-130V/AC 220-240V/AC
- Power Frequency: 50/60Hz
- HF System: 5.8GHz CW radar,ISM band Rated
- Load: 1200W(220-240V/AC) 600W(110-130V/AC)
- Detection Angle: 360°/160°
- Detection Distance: 2-16m(dia)(adjustable)
- Time Delay: 8sec-12 min(adjustable)
- Light Control: 2-2000Lux(adjustable)
- Installation Height: 1.5-3.5m



CAE2001B

### SPECIFICATIONS

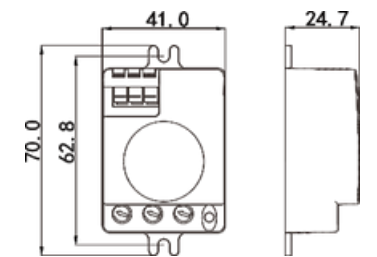
- Power Supply: 110-130V/AC 220-240V/AC
- Power Frequency: 50/60Hz
- HF System: 5.8GHz CW radar,ISM band Rated
- Load: 800W(220-240V/AC) 500W(110-130V/AC)
- Detection Angle: 360°/160°
- Detection Distance: 2-16m(dia)(adjustable)
- Time Delay: 8sec-12 min(adjustable)
- Light Control: 2-2000Lux(adjustable)
- Installation Height: 1.5-3.5m



CAE2001C

### SPECIFICATIONS

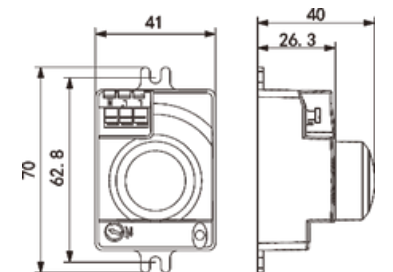
- Power Supply: 110-130V/AC 220-240V/AC
- Power Frequency: 50/60Hz
- HF System: 5.8GHz CW radar,ISM band
- Rated Load: 800W(220-240V/AC) 500W(110-130V/AC)
- Detection Angle: 360°/160°
- Detection Distance: Wall:5-15m(adjustable) Ceiling:2-16m(dia)(adjustable)
- Time Delay: 8sec-12min(adjustable)
- Light Control: 2-2000Lux(adjustable)
- Installation Height: Wall: 1.5-3.5m Ceiling:2-8m



CAE2001D

### SPECIFICATIONS

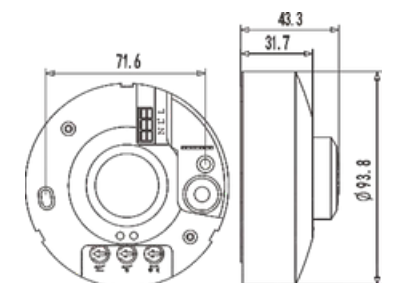
- Power Supply: 110-130V/AC 220-240V/AC Power
- Frequency: 50/60Hz
- HF System:2.7GHz CW radar,ISM band
- Rated Load:300W(220-240VAC) 150W(110-130VAC)
- Detection Angle: 360°/160°
- Detection Distance: 2-12m ( dia.)(adjustable)
- Time Delay: 30sec
- Light Control: 2~2000Lux
- Installation Height: 1.5-3.5m



CAE2002A

### SPECIFICATIONS

- Power Supply: 110-130V/AC 220-240V/AC
- Power Frequency: 50/60Hz
- HF System: 5.8GHz CW radar,ISM band Rated
- Load: 1200W(220-240V/AC) 600W(110-130V/AC)
- Detection Angle: 360°/160°
- Detection Distance: 2-16m(dia)(adjustable)
- Time Delay: 8sec-12 min(adjustable)
- Light Control: 2-2000Lux(adjustable)
- Installation Height: 1.5-3.5m

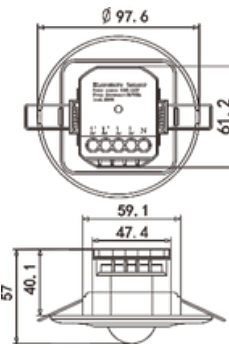




CAE2002B

### SPECIFICATIONS

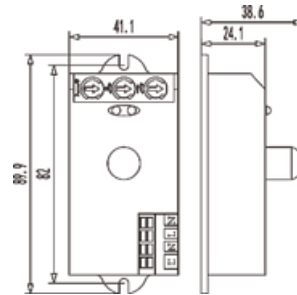
- Power Supply: 110-130V/AC 220-240V/AC
- Power Frequency: 50/60Hz
- HF System: 5.8GHz CW radar,ISM band Rated
- Load: 2000W(220-240V/AC) 1000W(110-130V/AC)
- Detection Angle: 360°/160°
- Detection Distance: 2-16m(dia)(adjustable)
- Time Delay: 10sec-30 min(adjustable)
- Light Control: 2-2000Lux(adjustable)
- Installation Height: 1.5-3.5m



CAE2003A

### SPECIFICATIONS

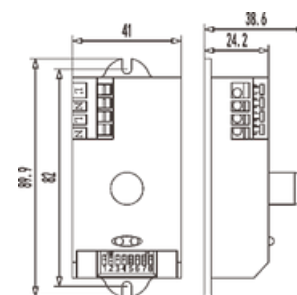
- Power Supply: 110-130V/AC 220-240V/AC
- Power Frequency: 50/60Hz
- HF System: 5.8GHz CW radar,ISM band Rated
- Load: 1200W(220-240V/AC) 600W(110-130V/AC)
- Detection Angle: 360°/160°
- Detection Distance: 2-16m(dia)(adjustable)
- Time Delay: 8sec-12 min(adjustable)
- Light Control: 2-2000Lux(adjustable)
- Installation Height: 1.5-3.5m



CAE2003B

### SPECIFICATIONS

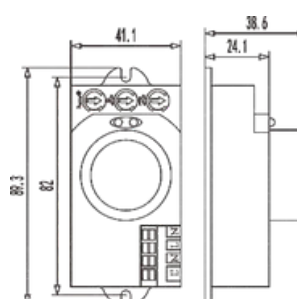
- Power Supply: 110-130V/AC 220-240V/AC
- Power Frequency: 50/60Hz
- HF System: 5.8GHz CW radar,ISM band Rated
- Load: 1200W(220-240V/AC) 600W(110-130V/AC)
- Detection Angle: 360°/160°
- Detection Distance: 2-16m(dia)(adjustable)
- Time Delay: 10sec-30min(adjustable)
- Light Control: 2-2000Lux(adjustable)
- Installation Height: 1.5-3.5m



CAE2004A

### SPECIFICATIONS

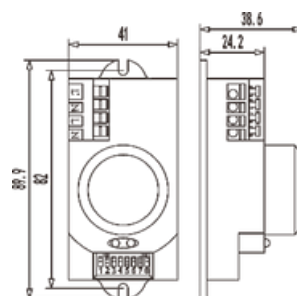
- Power Supply: 110-130V/AC 220-240V/AC
- Power Frequency: 50/60Hz
- HF System: 5.8GHz CW radar,ISM band Rated
- Load: 1200W(220-240V/AC) 600W(110-130V/AC)
- Detection Angle: 360°/160°
- Detection Distance: 2-16m(dia)(adjustable)
- Time Delay: 8sec-12 min(adjustable)
- Light Control: 2-2000Lux(adjustable)
- Installation Height: 1.5-3.5m



CAE2004B

### SPECIFICATIONS

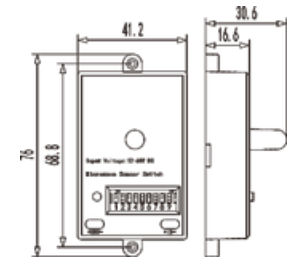
- Power Supply: 110-130V/AC 220-240V/AC
- Power Frequency: 50/60Hz
- HF System: 5.8GHz CW radar,ISM band Rated
- Load: 1200W(220-240V/AC) 600W(110-130V/AC)
- Detection Angle: 360°/160°
- Detection Distance: 2-16m(dia)(adjustable)
- Time Delay: 10sec-30 min(adjustable)
- Light Control: 2-2000Lux(adjustable)
- Installation Height: 1.5-3.5m



CAE2005

### SPECIFICATIONS

- Power Supply: DC20-60V
- HF System: 5.8GHz CW radar,ISM band
- Rated Load: 3A
- Detection Angle: 360°/160°
- Detection Distance: 3m,5m,8m,10m(radius)(choice)
- Time Delay: 10s,30s,1min,2min(choice)
- Light Control: 10Lux,30Lux,50Lux(choice)
- Installation Height: 1.5-3.5m



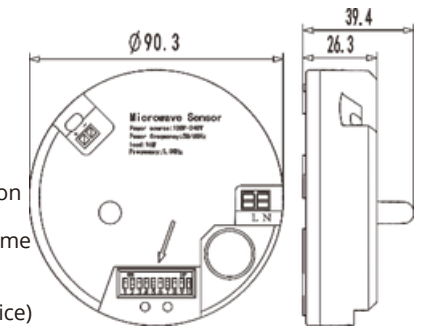
### Sensor+Dimming+Driver



CAE2007

### SPECIFICATIONS

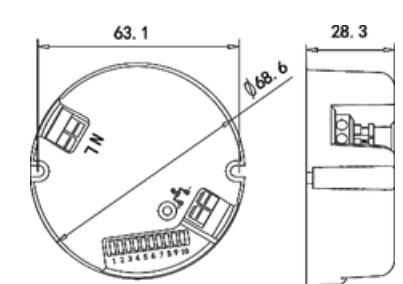
- Power Supply: 110-130V/AC 220-240V/AC
- Power Frequency: 50/60Hz
- HF System: 5.8GHz CW radar,ISM band
- Rated Load: 16W 18W
- Output: DC26V-32V
- Output Current:280-600mA
- Stand-by Dimming: 0%,10%,20%,30%(choice) Detection
- Angle: 360°/160°
- Detection Distance:3m,5m,8m,10m(radius)(choice) Time
- Delay: 10s,30s,1min,2min(choice)
- Light Control: 10Lux,30Lux,50Lux(choice)
- Corridor Function: 30s, 30min, 60min, 24h(choice)
- Installation Height: 1.5-3.5m



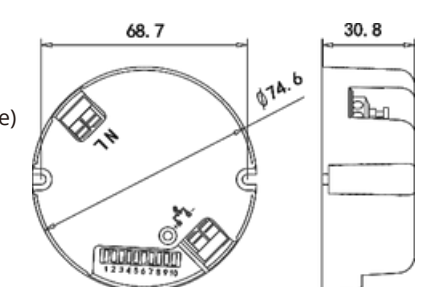
CAE2008A/B

### SPECIFICATIONS

- Power Supply: 85-265 V/AC
- Power Frequency: 50/60Hz
- HF System: 5.8GHz CW radar,ISM band
- Transmission Power: <10mw
- Output Voltage: CAE2008A: 14-28V/DC CAE2008B: 28-48V/DC CAE2008C: 34-63V/DC CAE2008D: 22-40V/DC
- Output Current: 350mA(CAE2008A/B/C) 700mA(CAE2008D)
- Stand-by Dimming: 10%,20%,30%,50%(choice)
- Detection Angle: 360°/180°
- Detection Distance: 3m,5m,8m,10m(radius)(choice)
- Hold Time: 10s, 90s, 3min, 10min(choice)
- Light Control: 5Lux, 15Lux, 50Lux, 2000lux(choice)
- Corridor Function: 0s, 30s, 10min, +∞(choice)
- Installation Height: 3-10m



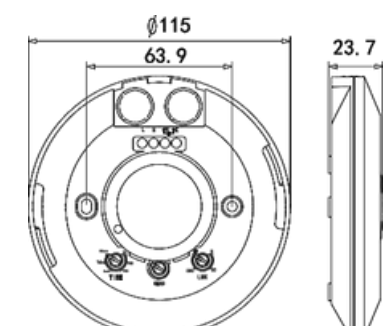
CAE2008C/D



CAE2009

### SPECIFICATIONS

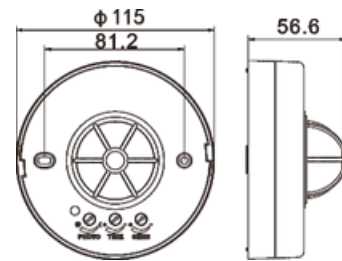
- Power Supply: 100-130V/AC 220-240V/AC
- Power Frequency: 50/60Hz
- HF System: 5.8GHz CW radar,ISM band
- Transmission Power: <10mw
- Rated Load: 2000W(220-240V/AC) 1000W(100-130V/AC)
- Detection Angle: 360°/160°
- Detection Distance: 2-16m(dia)(adjustable)
- Time Delay: 8sec-12 min(adjustable)
- Light Control: 2-2000Lux(adjustable)
- Installation Height: 3-10m





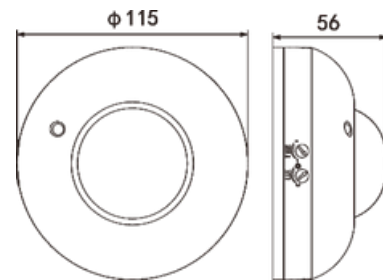
### SPECIFICATIONS

- Power Source: 110-130V/AC 220-240V/AC
- Power Frequency: 50/60Hz
- Ambient Light: <5Lux-2000Lux (adjustable)
- Rated Load: 1200W(220-240V/AC) 800W(110-130V/AC)
- Detection Angle: 360°
- Time Delay: 5sec-5min.(adjustable)
- Detection Distance: 2-6m(adjustable) (1\*detector)
- Detection Distance: 2-12m(adjustable) (3\*detector)
- Work Temperature: -20~+40°C
- Installation Height: 1.5-3.5m



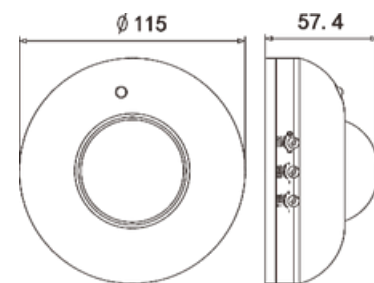
### SPECIFICATIONS

- Power Supply: 110-130V/AC 220-240V/AC
- Power Frequency: 50/60Hz
- Ambient Light: <5-2000Lux(adjustable)
- Rated Load: 1200W(220-240V/AC) 800W(110-130V/AC)
- Detection Angle: 360°
- Time Delay: 5sec-5min.(adjustable)
- Detection Distance: 6m
- Work Temperature: -20~+40°C
- Installation Height: 1.5-3.5m



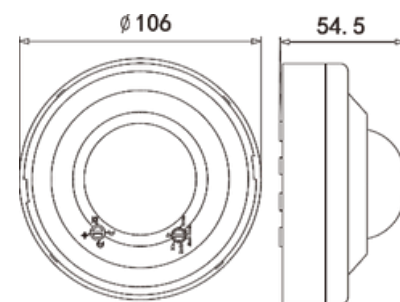
### SPECIFICATIONS

- Power Supply: 110-130V/AC 220-240V/AC
- Power Frequency: 50-60Hz
- Ambient Light: <5-2000Lux(adjustable)
- Rated Load: 1200W(220-240V/AC) 800W(110-130V/AC)
- Detection Angle: 360°
- Time Delay: 5sec-5min.(adjustable)
- Detection Distance: 2-6m(dia)(adjustable) Work
- Temperature: -20~+40°C
- Installation Height: 1.5-3.5m



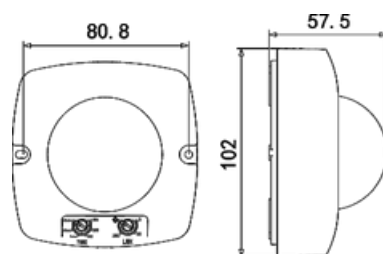
### SPECIFICATIONS

- Power Source: 110-130V/AC 220-240V/AC
- Power Frequency: 50/60Hz
- Ambient Light: <5Lux-2000Lux(adjustable)
- Rated Load: 1200W(220-240V/AC) 800W(110-130V/AC)
- Detection Angle: 360°
- Time Delay: 5sec-8min(adjustable)
- Detection Distance: 6m (1\*detector)
- Detection Distance: 12m (3\*detector)
- Work Temperature: -20~+40°C
- Installation Height: 1.5-3.5m



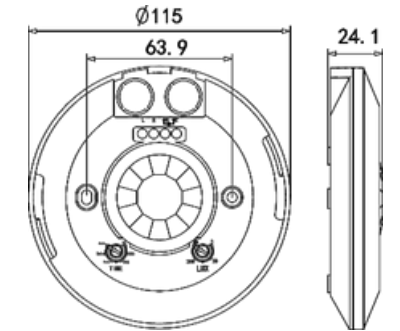
### SPECIFICATIONS

- Power Source: 110-130V/AC 220-240V/AC
- Power Frequency: 50/60Hz
- Ambient Light: <5-2000Lux(adjustable)
- Rated Load: 2000W(220-240V/AC) 1000W(110-130V/AC)
- Detection Angle: 360°
- Detection Distance: Max20m (1\*detector)
- Detection Distance: Max20m (3\*detector)
- Time Delay: 7sec-8min.(adjustable)
- Work Temperature: -20~+40°C
- Installation Height: 1.5-3.5m
- IP65



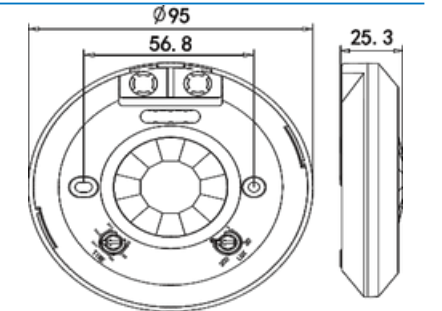
### SPECIFICATIONS

- Power Source: 110-130V/AC 220-240V/AC
- Power Frequency: 50/60Hz
- Ambient Light: <5-2000Lux(adjustable)
- Rated Load: 2000W(220-240V/AC) 1000W(110-130V/AC)
- Detection Angle: 360°
- Detection Distance: 16m
- Time Delay: 7sec-8min.(adjustable)
- Work Temperature: -20~+40°C
- Installation Height: 1.5-3.5m



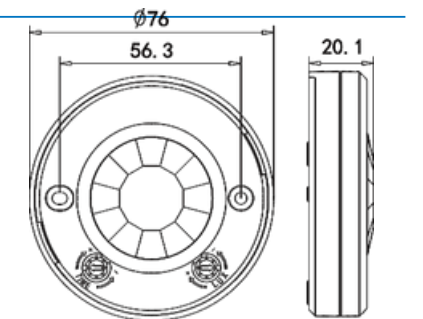
### SPECIFICATIONS

- Power Supply : 110-130V/AC 220-240V/AC
- Power Frequency: 50/60Hz
- Ambient Light: <5Lux-2000Lux(adjustable)
- Rated Load: 800W(220-240V/AC) 500W(110-130V/AC)
- Detection Angle: 360°
- Time Delay: 5sec.-5min.(adjustable)
- Detection Distance: 8m
- Work Temperature: -20~+40°C
- Installation Height: 1.5-3.5m



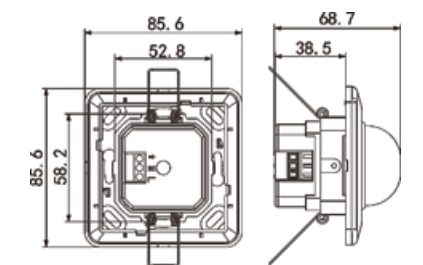
### SPECIFICATIONS

- Power Supply : 110-130V/AC 220-240V/AC
- Power Frequency: 50/60Hz
- Ambient Light: <5Lux-2000Lux(adjustable)
- Rated Load: 200W(220-240V/AC) 100W(110-130V/AC)
- Detection Angle: 360°
- Time Delay: 5sec.-5min.(adjustable)
- Detection Distance: 8m
- Work Temperature: -20~+40°C
- Installation Height: 1.5-3.5m



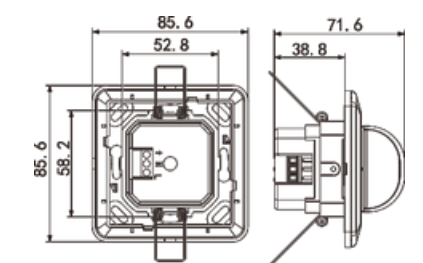
### SPECIFICATIONS

- Power Source: 110-130V/AC 220-240V/AC
- Power Frequency: 50/60Hz
- Ambient Light: <5-2000Lux(adjustable)
- Rated Load: 1200W(220-240V/AC) 800W(110-130V/AC)
- Detection Angle: 180°/360°
- Detection Distance: 2-12m(adjustable)
- Time Delay: 5sec-8min.(adjustable)
- Work Temperature: -20~+40°C
- Installation Height: 1.5-3.5m



### SPECIFICATIONS

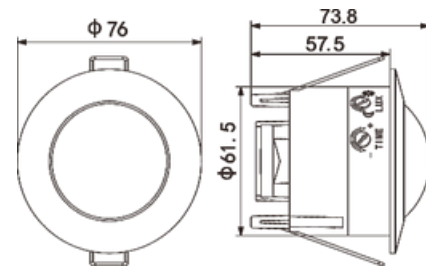
- Power Source: 110-130V/AC 220-240V/AC
- Power Frequency: 50/60Hz
- Ambient Light: <5-2000Lux(adjustable)
- Rated Load: 1200W(220-240V/AC) 800W(110-130V/AC)
- Detection Angle: 180°
- Detection Distance: 2-12m(adjustable)
- Time Delay: 5sec-8min.(adjustable)
- Work Temperature: -20~+40°C
- Installation Height: 1.5-3.5m





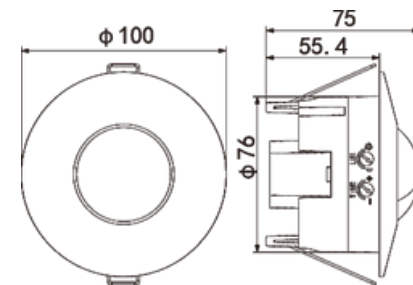
### SPECIFICATIONS

- Power Source: 110-130V/AC 220-240V/AC
- Power Frequency: 50/60Hz
- Rated Load: 1200W (220-240V/AC) 800W (110-130V/AC)
- Detection Angle: 360°
- Detection Distance: Max.6m
- Time Delay: 10sec-7min(adjutable)
- Ambient Light : 3-2000Lux(adjutable)
- Work Temperature: -20~+40°C
- Installation Height: 1.5-3.5m



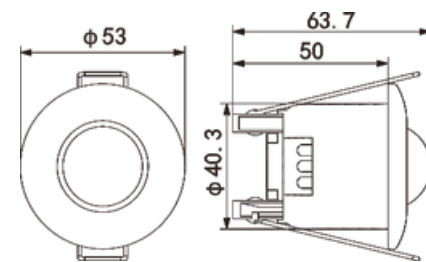
### SPECIFICATIONS

- Power Source: 110-130V/AC 220-240V/AC
- Power Frequency: 50/60Hz
- Rated Load: 1200W (220-240V/AC) 800W (110-130V/AC)
- Detection Angle: 360°
- Detection Distance: Max.6m
- Time Delay: 10sec-7min(adjutable)
- Ambient Light : 3-2000Lux(adjutable)
- Work Temperature: -20~+40°C
- Installation Height: 1.5-3.5m



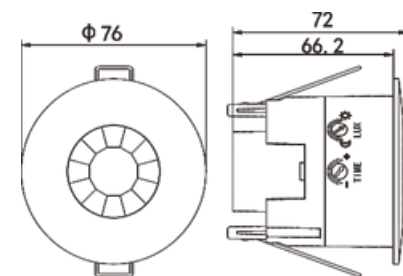
### SPECIFICATIONS

- Power Source: 110-130V/AC 220-240V/AC
- Power Frequency: 50/60Hz
- Ambient Light: <5-2000Lux(adjutable)
- Rated Load: 800W(220-240V/AC) 500W(110-130V/AC)
- Detection Angle: 360°
- Detection Distance: 6m
- Time Delay: 5sec-5min.(adjutable)
- Work Temperature: -20~+40°C
- Installation Height: 1.5-3.5m



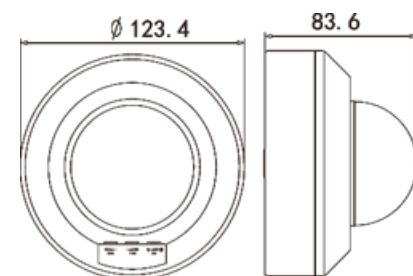
### SPECIFICATIONS

- Power Supply : 110-130V/AC 220-240V/AC
- Power Frequency: 50/60Hz
- Rated Load: Max: 1200W (220-240V/AC) 800W(110-130V/AC)
- Detection Angle: 360°
- Time Delay: 5sec-5min.(adjutable)
- Detection Distance: Max.8m
- Ambient Light: 3-2000Lux(adjutable)
- Work Temperature: -20~+40°C
- Installation Height: 1.5-3.5m



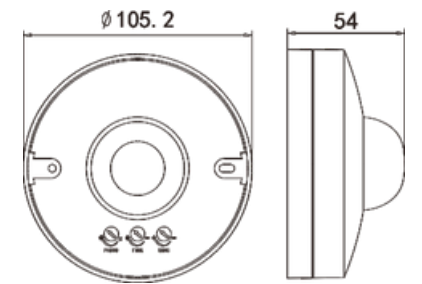
### SPECIFICATIONS

- Power Source: 110-130V/AC 220-240V/AC
- Power Frequency: 50/60Hz
- Ambient Light: <5-2000Lux(adjutable)
- Rated Load: 3000W(220-240V/AC) 500W(110-130V/AC)
- Detection Angle: 360°
- Detection Distance: 2-15m(adjutable)
- Time Delay: 5sec-8min(adjutable)
- Work Temperature: -20~+40°C
- Installation Height: 1.5-3.5m



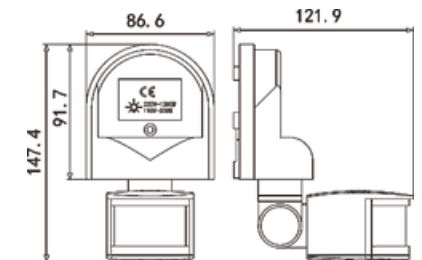
### SPECIFICATIONS

- Power Source: 110-130V/AC 220-240V/AC
- Power Frequency: 50/60Hz
- Ambient Light: <5Lux-2000Lux(adjutable)
- Rated Load: 1200W(220-240V/AC) 800W(110-130V/AC)
- Detection Angle: 360°
- Time Delay: 5sec-8min(adjutable)
- Detection Distance: 6m(1xdetector) 12m(3xdetector)
- Work Temperature: -20~+40°C
- Installation Height: 1.5-3.5m



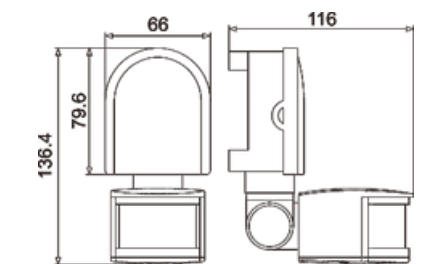
### SPECIFICATIONS

- Power Source: 110-130V/AC 220-240V/AC
- Power Frequency: 50/60Hz
- Ambient Light: <5-2000Lux(adjutable)
- Rated Load: 1200W(220-240V/AC) 800W(110-130V/AC)
- Detection Angle: 180°
- Detection Distance: 2-12m(adjutable)
- Time Delay: 5sec-5min(adjutable)
- Work Temperature: -20~+40°C
- Installation Height: 1.8-2.5m



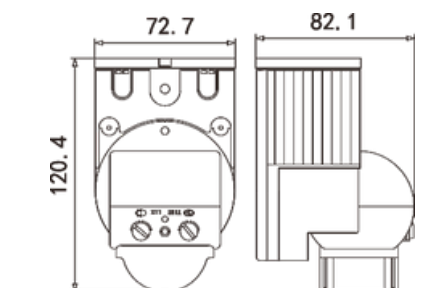
### SPECIFICATIONS

- Power Source: 110-130V/AC 220-240V/AC
- Power Frequency: 50/60Hz
- Ambient Light: <5-2000Lux(adjutable)
- Rated Load: 1200W(220-240V/AC) 800W(110-130V/AC)
- Detection Angle: 180°
- Detection Distance: 2-12m(adjutable)
- Time Delay: 5sec-5min(adjutable)
- Work Temperature: -20~+40°C
- Installation Height: 1.8-2.5m



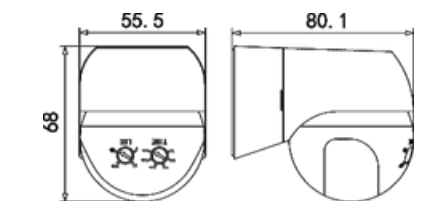
### SPECIFICATIONS

- Power Supply: 110-130V/AC 220-240V/AC
- Power Frequency: 50/60Hz
- Ambient Light: <5-2000Lux(adjutable)
- Rated Load: 1200W(220-240V/AC) 800W(110-130V/AC)
- Detection Angle: 140°
- Detection Distance: 12m
- Time Delay: 5sec-8min(adjutable)
- Work Temperature: -20~+40°C
- Installation Height: 1.8-2.5m



### SPECIFICATIONS

- Power Supply: 110-130V/AC 220-240V/AC
- Power Frequency: 50/60Hz
- Ambient Light: <5-2000Lux(adjutable)
- Rated Load: 800W(220-240V/AC) 500W(110-130V/AC)
- Detection Angle: 180°
- Detection Distance: 12m
- Time Delay: 5sec-5min(adjutable)
- Detection Distance: 30m
- Time Delay: 5sec-8min(adjutable)
- Work Temperature: -20~+40°C
- Installation Height: 1.8-2.5m

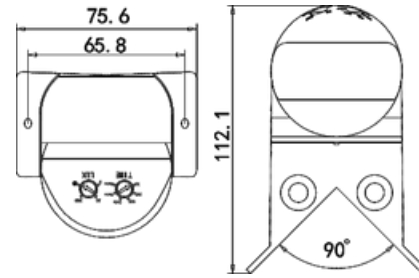




CAA1008B

### SPECIFICATIONS

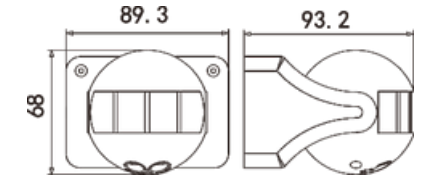
- Power Supply: 110-130V/AC 220-240V/AC
- Power Frequency: 50/60Hz
- Ambient Light: <5-2000Lux(adjustable)
- Rated Load: 800W(220-240V/AC) 500W(110-130V/AC)
- Detection Angle: 180°
- Detection Distance: 12m
- Time Delay: 5sec-5min(adjustable)
- Detection Distance: 30m
- Time Delay: 5sec-8min(adjustable)
- Work Temperature: -20~+40°C
- Installation Height: 1.8-2.5m



CAA1019

### SPECIFICATIONS

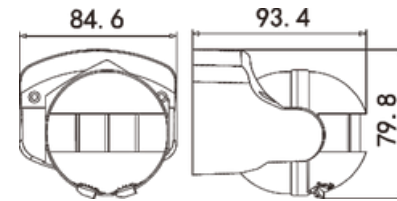
- Power Source: 110-130V/AC 220-240V/AC
- Power Frequency: 50/60Hz
- Ambient Light: <5-2000Lux(adjustable)
- Rated Load: 1200W(220-240V/AC) 800W(110-130V/AC)
- Detection Angle: 180°/140°
- Detection Distance: 12m
- Time Delay: 5sec-8min.(adjustable)
- Work Temperature: -20~+40°C
- Installation Height: 1.8-2.5m



CAA1009A

### SPECIFICATIONS

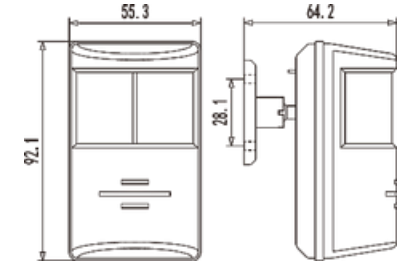
- Power Source: 110-130V/AC 220-240V/AC
- Power Frequency: 50/60Hz
- Ambient Light: <5-2000Lux(adjustable)
- Rated Load: 1200W(220-240V/AC) 800W(110-130V/AC)
- Detection Angle: 180°/140°
- Detection Distance: 12m
- Time Delay: 5sec-5min.(adjustable)
- Work Temperature: -20~+40°C
- Installation Height: 1.8-2.5m



CAA1021

### SPECIFICATIONS

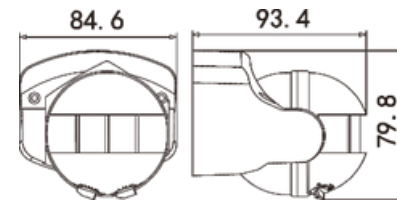
- Power Source: 110-130V/AC 220-240V/AC
- Power Frequency: 50/60Hz
- Ambient Light: <5-2000Lux(adjustable)
- Rated Load: 1200W(220-240V/AC) 800W(110-130V/AC)
- Detection Angle: 180°
- Detection Distance: 12m
- Time Delay: 5sec-8min(adjustable)
- Work Temperature: -20~+40°C
- Installation Height: 1.8-2.5m



CAA1009B

### SPECIFICATIONS

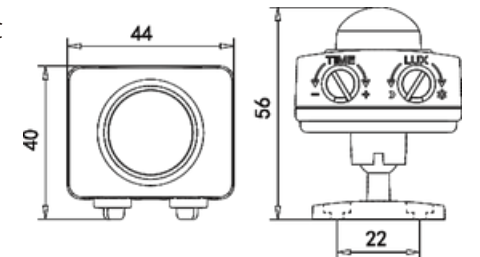
- Power Source: 110-130V/AC 220-240V/AC
- Power Frequency: 50/60Hz
- Ambient Light: <5-2000Lux(adjustable)
- Rated Load: 1200W(220-240V/AC) 800W(110-130V/AC)
- Detection Angle: 180°/140°
- Detection Distance: 12m
- Time Delay: 5sec-5min(adjustable)
- Work Temperature: -20~+40°C
- Installation Height: 1.8-2.5m



CAA1022

### SPECIFICATIONS

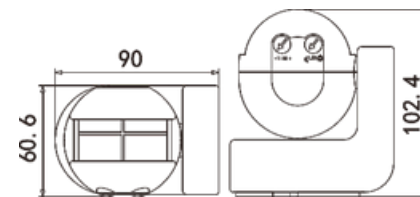
- Power Supply : 110-130V/AC 220-240V/AC
- Power Frequency: 50/60Hz
- Ambient Light: <5Lux~2000Lux(adjustable)
- Rated Load: 200W(220-240V/AC) 100W(110-130V/AC)
- Detection Angle: 360°
- Time Delay: 5sec.~5min.(adjustable)
- Detection Distance: 8m
- Work Temperature: -20~+40°C
- Installation Height: 1.5-3.5m



CAA1015

### SPECIFICATIONS

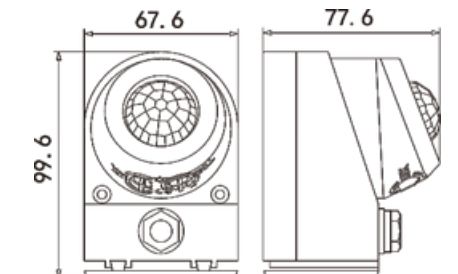
- Power Source: 110-130V/AC 220-240V/AC
- Power Frequency: 50/60Hz
- Ambient Light: <5-2000Lux(adjustable)
- Rated Load: 1200W(220-240V/AC) 800W(110-130V/AC)
- Detection Angle: 180°/140°
- Detection Distance: 12m
- Time Delay: 5sec-8min(adjustable)
- Work Temperature: -20~+40°C
- Installation Height: 1.8-2.5m



CAB1001

### SPECIFICATIONS

- Power Supply: 110-130V/AC 220-240V/AC
- Power Frequency: 50/60Hz
- Ambient Light: <5-2000Lux(adjustable)
- Rated Load: 500W
- Detection Angle: 360°
- Detection Distance: 8m
- Time Delay: 5sec-8min(adjustable)
- Work Temperature: -20~+40°C
- Installation Height: 1.8-2.5m



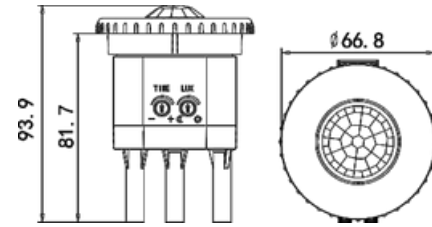
# Infrared Motion Sensor



CAB1040

## SPECIFICATIONS

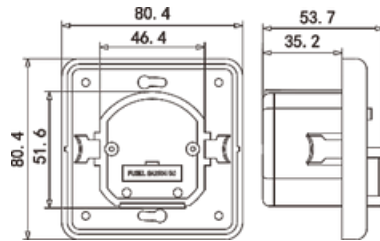
- Power Source: 110-130V/AC 220-240V/AC
- Power Frequency: 50/60Hz
- Ambient Light: <5-2000Lux(adjustable)
- Rated Load: 1200W(220-240V/AC) 800W(110-130V/AC)
- Detection Range: 360°
- Time Delay: 3sec-2min(adjustable)
- Detection Distance: 6m
- Work Temperature: -20~+40°C
- Installation Height: 1.5-3.5m



CAA1003A

## SPECIFICATIONS

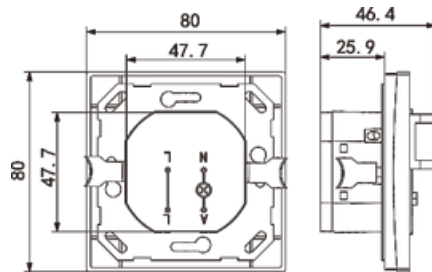
- Power Supply: 110-130V/AC 220-240V/AC
- Power Frequency: 50/60Hz
- Ambient Light: <5-2000Lux(adjustable)
- Rated Load: 500W(220-240V/AC) 300W(110-130V/AC)
- Detection Range: 140°
- Detection Distance: 9m
- Time Delay: 5sec-7min(adjustable)
- Work Temperature: -20~+40°C
- Installation Height: 1-1.8m
- Sound Control Sensitivity: 30db-90db(adjustable)



CAA1003B

## SPECIFICATIONS

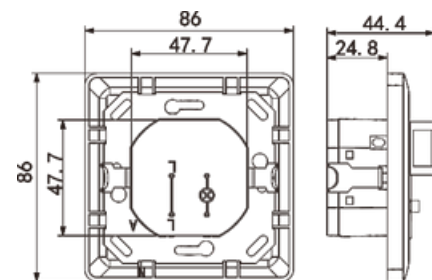
- Power Supply: 110-130V/AC 220-240V/AC
- Power Frequency: 50/60Hz
- Ambient Light: <5-2000Lux(adjustable)
- Rated Load: 500W(220-240V/AC) 300W(110-130V/AC)
- Detection Range: 140°
- Detection Distance: 9m
- Time Delay: 5sec-5min(adjustable)
- Work Temperature: -20~+40°C
- Installation Height: 1-1.8m



CAA1003C

## SPECIFICATIONS

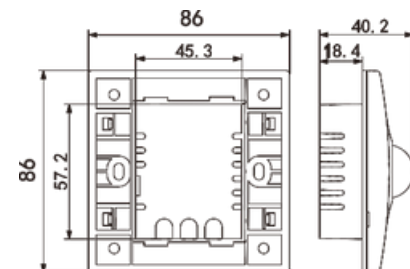
- Power Supply: 110-130V/AC 220-240V/AC
- Power Frequency: 50/60Hz
- Ambient Light: <5-2000Lux(adjustable)
- Rated Load: 500W(220-240V/AC) 300W(110-130V/AC)
- Detection Range: 140°
- Detection Distance: 9m
- Time Delay: 5sec-5min(adjustable)
- Work Temperature: -20~+40°C
- Installation Height: 1-1.8m



CAA1003D

## SPECIFICATIONS

- Power Supply : 110-130V/AC 220-240V/AC
- Power Frequency: 50/60Hz
- Ambient Light: 5~2000Lux(adjustable)
- Detection Distance: 2-8m (adjustable)
- Detection Angle: 140°
- Time Delay : 5sec-5min(adjustable)
- Rated Load: 500W(220-240V) 300W(110-130V)
- Work Temperature: -20~+40°C
- Installation Height: 1-1.8m



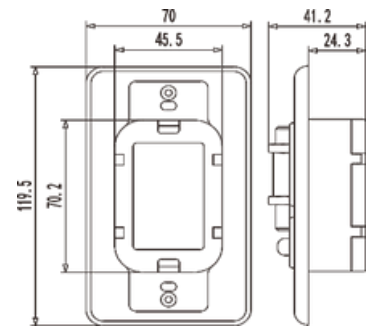
# Infrared Motion Sensor



CAA1005

## SPECIFICATIONS

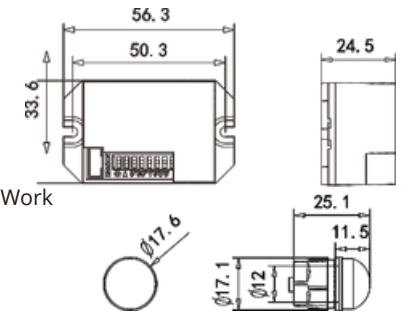
- Power Supply: 110-130V/AC 220-240V/AC
- Power Frequency: 50/60Hz
- Ambient Light: <20Lux
- Rated Load: 500W(220-240V/AC) 300W(110-130V/AC)
- Detection Range: 140°
- Detection Distance: 9m
- Time Delay: 5sec-8min(adjustable)
- Work Temperature: -20~+40°C
- Installation Height: 1-1.8m



CAB1050A

## SPECIFICATIONS

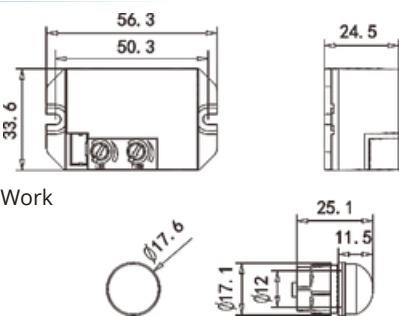
- Power Source: 110-130V/AC 220-240V/AC
- Power Frequency: 50/60Hz
- Sense Range: 100°/ 360°
- Sense Distance: Wall:Max.8m Ceiling:Max.6m
- Rated Load: 800W(220-240V/AC) 500W(110-130V/AC) Work
- Temperature: -20~+40°C
- Time Delay: 5s, 30s, 1min, 3min, 5min, 8min
- Ambient Light: <10~2000Lux(adjustable)
- Installation Height: Wall:1.8-2.5m Ceiling:2-4m



CAB1050B

## SPECIFICATIONS

- Power Source: 110-130V/AC 220-240V/AC
- Power Frequency: 50/60Hz
- Sense Range: 100°/ 360°
- Sense Distance: Wall:Max.8m Ceiling:Max.6m
- Rated Load: 800W(220-240V/AC) 500W(110-130V/AC) Work
- Temperature: -20~+40°C
- Time Delay: 5sec-8min(adjustable)
- Ambient Light: <10~2000Lux(adjustable)
- Installation Height: Wall:1.8-2.5m Ceiling:2-4m



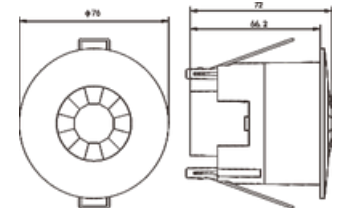
# Wi-Fi & BLE Sensor



CAA1070W

## SPECIFICATIONS

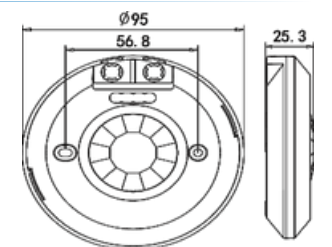
- Power Supply: 110-130V/AC 220-240V/AC
- Power Frequency: 50/60Hz
- Rated Load: Max: 1200W (220-240V/AC) 800W(110-130V/AC)
- Detection Angle: 360°
- Full Light Duration: 5sec-60min(adjustable)
- Motion Distance:Near(50%), Medium(75%), Far(100%) (choice)
- Detection Distance: Max.8m
- Ambient Light: Dark(5Lux), 10Lux,Evening(50Lux),150Lux, Day(2000Lux) Work
- Temperature: -20~+40°C
- Installation Height: 1.5-3.5m



CAA1050W

## SPECIFICATIONS

- Power Supply: 110-130V/AC 220-240V/AC
- Power Frequency: 50/60Hz
- Rated Load: Max: 800W (220-240V/AC) 500W(110-130V/AC)
- Detection Angle: 360°
- Full Light Duration: 5sec-60min(adjustable)
- Motion Distance:Near(50%), Medium(75%), Far(100%) (choice)
- Detection Distance: Max.8m
- Ambient Light: Dark(5Lux), 10Lux,Evening(50Lux),150Lux, Day(2000Lux)
- Work Temperature: -20~+40°C
- Installation Height: 1.5-3.5m

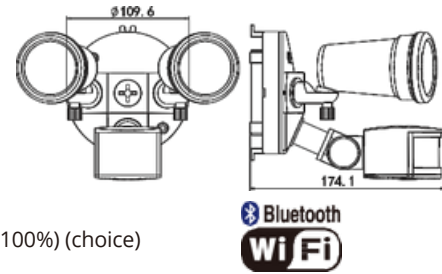


# Wi-Fi & BLE Sensor Light



### SPECIFICATIONS

- Power Supply: 110-130V/AC 220-240V/AC
- Power Frequency: 50/60Hz
- Rated Load: 20W(2x10W)
- Stand-by Dimming: 10%-100%(adjustable)
- Detection Angle: 180°
- Full Light Duration: 5sec-60min(adjustable)
- Motion Distance: Near(50%), Medium(75%), Far(100%) (choice)
- Detection Distance: Max.8m
- Ambient Light: Dark(5Lux), 10Lux, Evening(50Lux), 150Lux, Day(2000Lux) Work
- Temperature: -20~+40°C
- Installation Height: 1.5-3.5m



CAB1009W

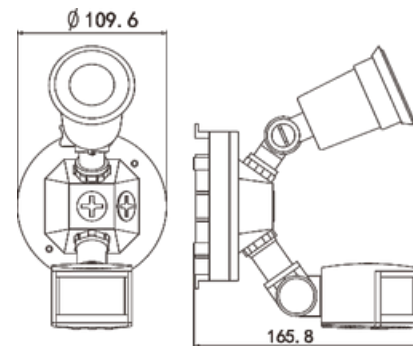


# Infrared Sensor Light



### SPECIFICATIONS

- Power Source: 110-130V/AC 220-240V/AC
- Power Frequency: 50/60Hz
- Ambient Light: <5-2000Lux(adjustable)
- Rated Load: Max.1x150W(E27/PAR38)
- Detection Distance: 2-12m(<24°C)(adjustable)
- Detection Range: 180°
- Time Delay: 5sec-5min(adjustable)
- Work Temperature: -20~+40°C
- Installation Height: 1.8-2.5m

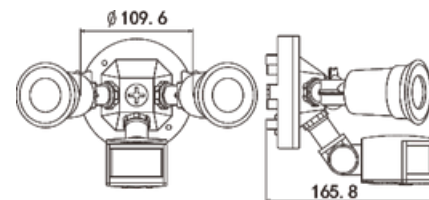


CAB1008



### SPECIFICATIONS

- Power Source: 110-130V/AC 220-240V/AC
- Power Frequency: 50/60Hz
- Ambient Light: <5-2000Lux(adjustable)
- Rated Load: Max.2x150W(E27/PAR38)
- Detection Distance: 2-12m(<24°C)(adjustable)
- Detection Range: 180°
- Time Delay: 5sec-5min(adjustable)
- Work Temperature: -20~+40°C
- Installation Height: 1.8-2.5m

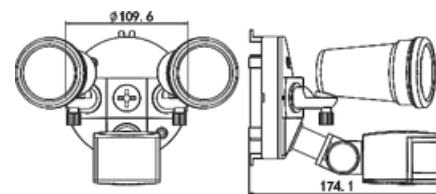


CAB1009A



### SPECIFICATIONS

- Power Supply : 110-130V/AC 220-240V/AC
- Power Frequency: 50/60Hz
- Ambient Light: 5~2000Lux(adjustable)
- Rated Load: 20W(2x10W)
- Detection Distance: 2-12m (adjustable)
- Detection Angle: 180°
- Time Delay :5sec~5min(adjustable)
- Work Temperature: -20~+40°C
- Installation Height: 1.5-3.5m



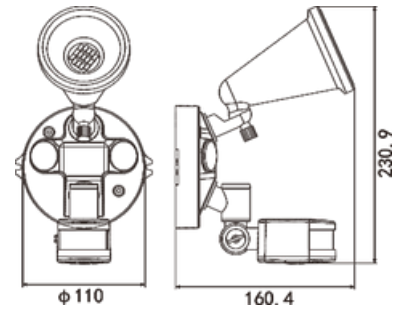
CAB1009C

# Infrared Sensor Light

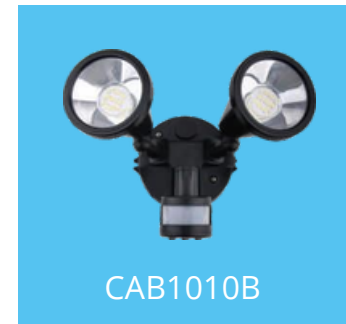


### SPECIFICATIONS

- Power Supply : 110-130V/AC 220-240V/AC
- Power Frequency: 50/60Hz
- Ambient Light: 5~2000Lux(adjustable)
- Rated Load: 10W
- Detection Distance: 2-12m (adjustable)
- Detection Angle: 180°
- Time Delay : 5sec~5min(adjustable)
- Work Temperature: -20~+40°C
- Installation Height: 1.5-3.5m

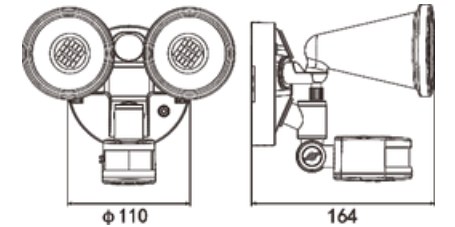


CAB1010A



### SPECIFICATIONS

- Power Supply : 110-130V/AC 220-240V/AC
- Power Frequency: 50/60Hz
- Ambient Light: 5~2000Lux(adjustable)
- Rated Load: 20W(2x10W )
- Detection Distance: 2-12m (adjustable)
- Detection Angle: 180°
- Time Delay : 5sec~5min(adjustable)
- Work Temperature: -20~+40°C
- Installation Height: 1.5-3.5m

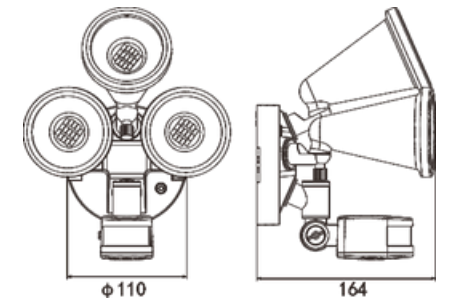


CAB1010B



### SPECIFICATIONS

- Power Supply : 110-130V/AC 220-240V/AC
- Power Frequency: 50/60Hz
- Ambient Light: 5~2000Lux(adjustable)
- Rated Load: 30W(3x10W )
- Detection Distance: 2-12m (adjustable)
- Detection Angle: 180°
- Time Delay : 5sec~5min(adjustable)
- Work Temperature: -20~+40°C
- Installation Height: 1.5-3.5m

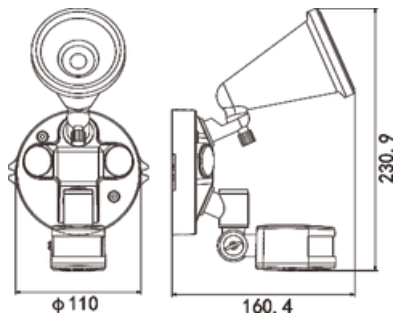


CAB1010C



### SPECIFICATIONS

- Power Supply : 110-130V/AC 220-240V/AC
- Power Frequency: 50/60Hz
- Ambient Light: 5~2000Lux(adjustable)
- Rated Load: 10W (COB 1X10W)
- Detection Distance: 2-12m (adjustable)
- Detection Angle: 180°
- Time Delay : 5sec~5min(adjustable)
- Work Temperature: -20~+40°C
- Installation Height: 1.5-3.5m

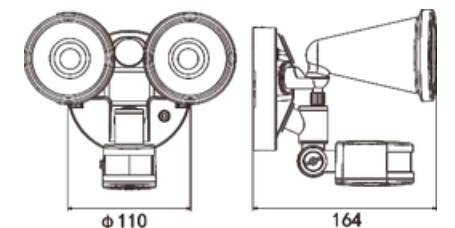


CAB1011A



### SPECIFICATIONS

- Power Supply : 110-130V/AC 220-240V/AC
- Power Frequency: 50/60Hz
- Ambient Light: 5~2000Lux(adjustable)
- Rated Load: 20W(COB 2x10W )
- Detection Distance: 2-12m (adjustable)
- Detection Angle: 180°
- Time Delay : 5sec~5min(adjustable)
- Work Temperature: -20~+40°C
- Installation Height: 1.5-3.5m



CAB1011B

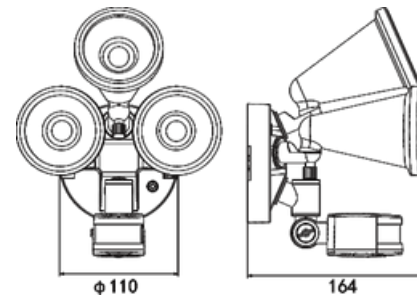
# Infrared Sensor Light



CAB1011C

## SPECIFICATIONS

- Power Supply : 110-130V/AC 220-240V/AC
- Power Frequency: 50/60Hz
- Ambient Light: 5~2000Lux(adjustable)
- Rated Load: 30W(COB 3x10W)
- Detection Distance: 2-12m (adjustable) Detection Angle: 180°
- Time Delay : 5sec~5min(adjustable)
- Work Temperature: -20~+40°C
- Installation Height: 1.5-3.5m



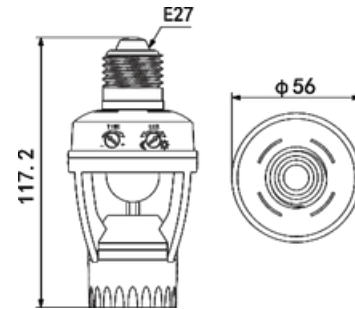
# Sensor Holder



CAB1060

## SPECIFICATIONS

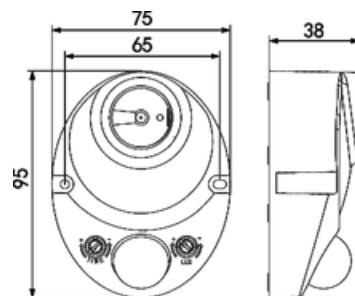
- Power Source: 110-130V/AC 220-240V/AC
- Power Frequency: 50/60Hz
- Ambient Light: <5-2000Lux(adjustable)
- Rated Load: <60W(E27)
- Detection Distance: Max.6m
- Detection Range: 360°
- Time Delay: 5sec-5min(adjustable)
- Work Temperature: -20~+40°C
- Installation Height: 2-3.5m



CAB1061

## SPECIFICATIONS

- Power Source: 110-130V/AC 220-240V/AC
- Power Frequency: 50/60Hz
- Ambient Light: <5-2000Lux(adjustable)
- Rated Load: <60W(E27)
- Detection Distance: Max.6m
- Detection Range: 360°
- Time Delay: 5sec-5min(adjustable)
- Work Temperature: -20~+40°C
- Installation Height: 2-3.5m



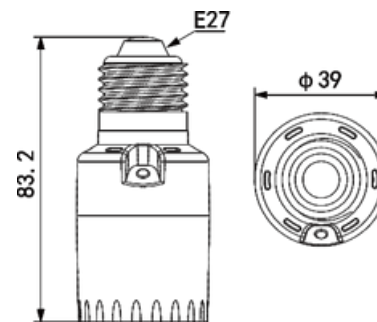
# Light-Control Holder



CAB1062A

## SPECIFICATIONS

- Power Supply: 110-130V/AC 220-240V/AC
- Power Frequency: 50/60Hz Rated Load:<60W(E27)
- Ambient Light:<10Lux.on >40Lux.off
- Work Temperature: -20~+40 °C
- Installation Height: 2-3.5m



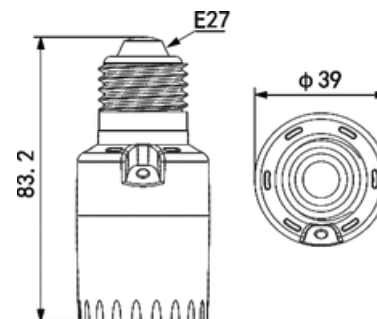
# Sound-Control Holder



CAB1062B

## SPECIFICATIONS

- Power Supply:110-130V/AC 220-240V/AC
- Power Frequency: 50/60Hz
- Rated Load:<60W(E27)
- Time Delay:30sec
- Sound Control Sensitivity:45db-90db.on
- Ambient Light:<40Lux.on
- Work Temperature: -20~+40°C
- Installation Height: 2-3.5m



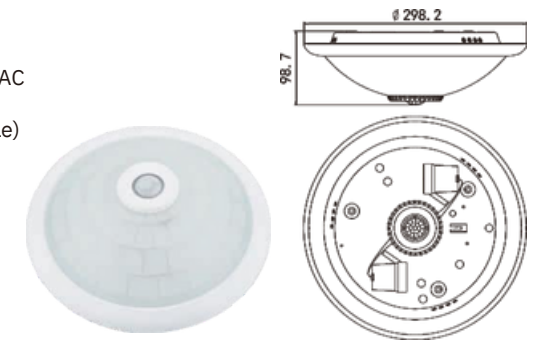
# Infrared Sensor Light



CAB1070

## SPECIFICATIONS

- Power Source: 110-130V/AC 220-240V/AC
- Power Frequency: 50/60Hz
- Ambient Light: <5Lux-2000Lux(adjustable)
- Rated Load: 2x40W(E27)
- Detection Angle: 360°
- Time Delay: 3sec-2min(adjustable)
- Detection Distance: 6m
- Work Temperature: -20~+40°C
- Installation Height: 1.5-3.5m



CAB1071

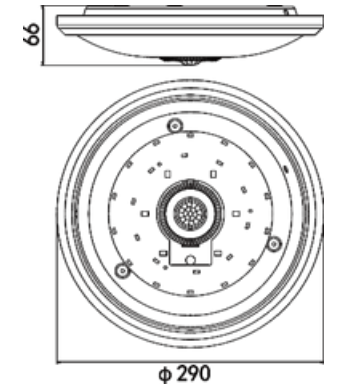
# Sensor+Emergency



CAB1072A  
CAB1072B

## SPECIFICATIONS

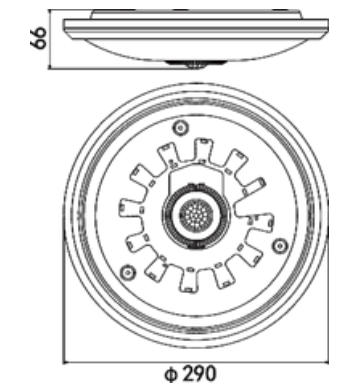
- Power Source: 110-130V/AC 220-240V/AC
- Power Frequency: 50/60Hz
- Rated Load: 12W CAB1072A 15W CAB1072B
- Emergency Load: 1.2W (DC)(6PCS LED) Battery: 3.7v/1500mAh
- Continuous Illumination Time:5 hours
- Time Delay: 8sec-2min(adjustable)
- Detection Distance: 6m
- Detection Angle: 360°
- Ambient Light: <5Lux-2000Lux(adjustable) Work Temperature: -20~+40°C
- Installation Height: 1.5-3.5m



CAB1073A  
CAB1073B  
CAB1073C

## SPECIFICATIONS

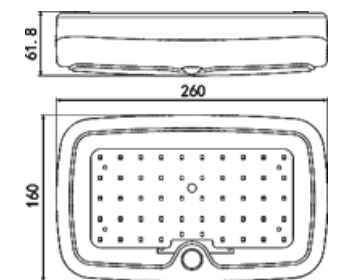
- Power Source: 110-130V/AC 220-240V/AC
- Power Frequency: 50/60Hz
- Rated Load: 12W CAB1073A 15W CAB1073B 18W CAB1073C
- Time Delay: 8sec-2min(adjustable)
- Detection Distance: 6m
- Detection Angle: 360°
- Ambient Light: <5Lux-2000Lux(adjustable)
- Work Temperature: -20~+40°C
- Installation Height: 1.5-3.5m



CAB1075

## SPECIFICATIONS

- Power Source: 110-130V/AC 220-240V/AC
- Power Frequency: 50/60Hz
- Ambient Light: <5Lux-2000Lux(adjustable) Rated Load: 10W
- Detection Angle: 120°
- Time Delay: 5sec-5min(adjustable)
- Detection Distance: 8m
- Work Temperature: -20~+40°C
- Installation Height: 1.5-3.5m
- IP44



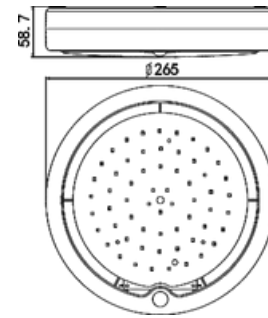


## Infrared Sensor Light



### SPECIFICATIONS

- Power Source: 110-130V/AC 220-240V/AC
- Power Frequency: 50/60Hz
- Ambient Light: <5Lux-2000Lux(adjustable) Rated Load: 12W
- Emergency Load: 3.6W
- Battery: 3xAA (3.6V 2200mAh)
- Continuous Illumination Time: 3hours
- Detection Angle: 360°
- Time Delay: 5Sec-5Min(adjustable)
- Detection Distance: 7m
- Work Temperature: -20~+40°C
- Installation Height: 1.5-3.5m

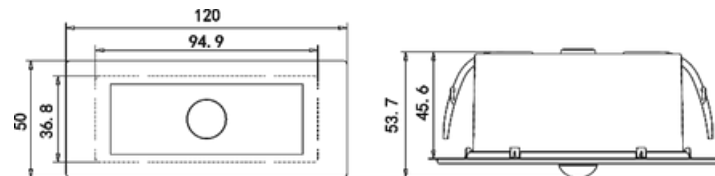
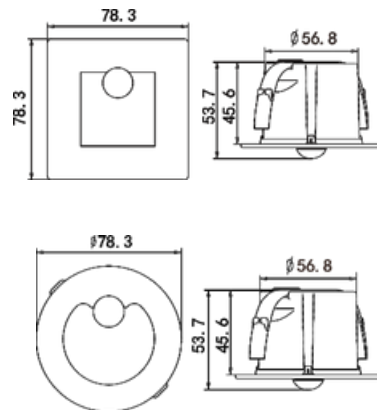


## Sensor Wall Fixture



### SPECIFICATIONS

- Power Source: 110-130V/AC 220-240V/AC
- Power Frequency: 50/60Hz
- Rated Load: 1.2W
- Ambient Light: <5Lux~2000Lux
- Detection Angle: 100°
- Time Delay: 13Sec.
- Detection Distance: 6m
- Material:Stainless Steel+PC
- Work Temperature: -20~+40°C
- Installation Height: 0.2-0.5m



## Wall Fixture



### SPECIFICATIONS

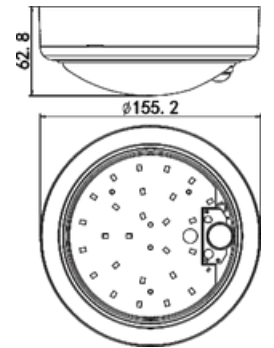
- Power Source: 110-130V/AC 220-240V/AC
- Power Frequency: 50/60Hz
- Rated Load: 1.2W
- Material:Stainless Steel+PC
- Work Temperature: -20~+40°C
- Installation Height: 0.2-0.5m

## Infrared Sensor Light



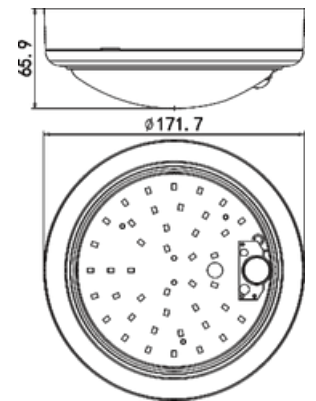
### SPECIFICATIONS

- Power Source: 110-130V/AC 220-240V/AC
- Power Frequency: 50/60Hz
- Rated Load: 8W CAB1080A  
12W CAB1080B  
15W CAB1080C
- Ambient Light: <5Lux
- Detection Angle: 360°
- Time Delay: 30Sec
- Detection Distance: 8m
- Work Temperature: -20~+40°C
- Installation Height: 1.5-3.5m
- IP65



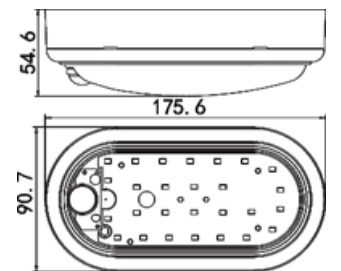
### SPECIFICATIONS

- Power Source: 110-130V/AC 220-240V/AC
- Power Frequency: 50/60Hz
- Rated Load: 15W CAB1081A  
18W CAB1081B  
24W CAB1081C
- Ambient Light: <5Lux
- Detection Angle: 360°
- Time Delay: 30Sec
- Detection Distance: 8m
- Work Temperature: -20~+40°C
- Installation Height: 1.5-3.5m
- IP65



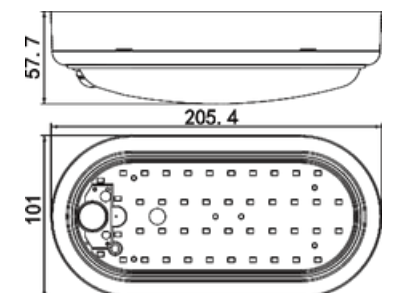
### SPECIFICATIONS

- Power Source: 110-130V/AC 220-240V/AC
- Power Frequency: 50/60Hz
- Rated Load: 8W CAB1082A  
12W CAB1082B  
15W CAB1082C
- Ambient Light: <5Lux
- Detection Angle: 140°
- Time Delay: 30Sec
- Detection Distance: 8m
- Work Temperature: -20~+40°C
- Installation Height: 1.5-3.5m
- IP65



### SPECIFICATIONS

- Power Source: 110-130V/AC 220-240V/AC
- Power Frequency: 50/60Hz
- Rated Load: 15W CAB1083A  
18W CAB1083B  
24W CAB1083C
- Ambient Light: <5Lux
- Detection Angle: 140°
- Time Delay: 30Sec
- Detection Distance: 8m
- Work Temperature: -20~+40°C
- Installation Height: 1.5-3.5m
- IP65



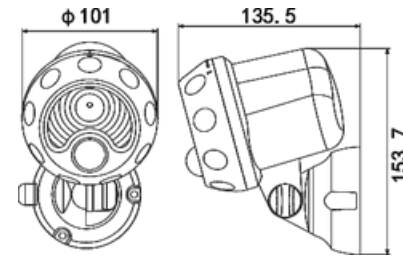
# Infrared Sensor Light



CT1050A

### SPECIFICATIONS

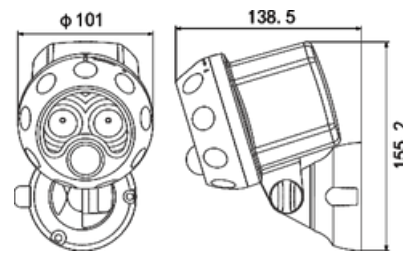
- Battery Type :Button Top D-Cell 1.5V x 3PCS
- Rated Load:1.2W(1PCS LED,120LM)
- Ambient Light: ≤30Lux
- Detection Distance: Max.8m
- Detection Angle: 120°
- Time Delay : 15±3Sec
- Work Temperature: -20~+40°C
- Installation Height:2-3.5m
- IP65



CT1050B

### SPECIFICATIONS

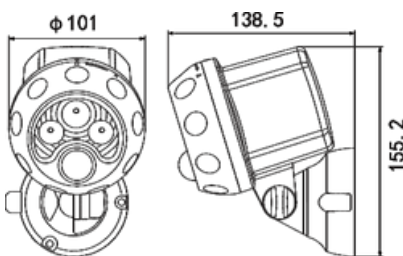
- Battery Type :Button Top D-Cell 1.5V x 4PCS
- Rated Load:2.7W(2PCS LED,270LM)
- Ambient Light: ≤30Lux
- Detection Distance: Max.8m
- Detection Angle: 120°
- Time Delay : 15±3Sec
- Work Temperature: -20~+40°C
- Installation Height:2-3.5m
- IP65



CT1050C

### SPECIFICATIONS

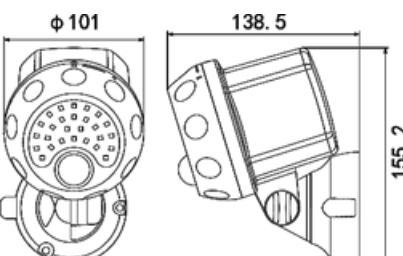
- Battery Type :Button Top D-Cell 1.5V x 4PCS
- Rated Load:4.2W(3PCS LED,420LM)
- Ambient Light: ≤30Lux
- Detection Distance: Max.8m
- Detection Angle: 120°
- Time Delay : 15±3Sec
- Work Temperature: -20~+40°C
- Installation Height:2-3.5m
- IP65



CT1050D

### SPECIFICATIONS

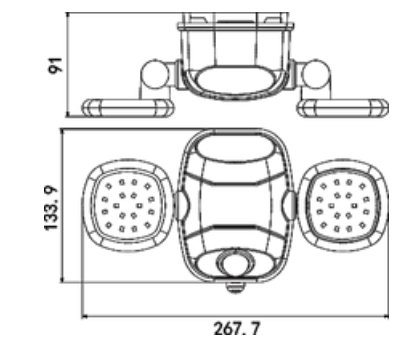
- Battery Type :Button Top D-Cell 1.5V x 4PCS
- Rated Load:4.5W(27PCS LED,450LM)
- Ambient Light: ≤30Lux
- Detection Distance: Max.8m
- Detection Angle: 120°
- Time Delay : 15±3Sec
- Work Temperature: -20~+40°C
- Installation Height:2-3.5m
- IP65



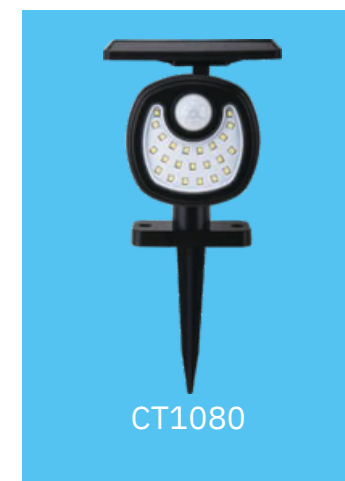
CT1060

### SPECIFICATIONS

- Battery Type :Button Top D-Cell 1.5V x 3PCS
- Rated Load:4.5W(36PCS LED,600LM)
- Ambient Light: ≤30Lux
- Detection Distance: Max.10m
- Detection Angle: 120°
- Time Delay : 15±3Sec
- Work Temperature: -20~+40°C
- Installation Height:2-3.5m
- IP65



# Solar Sensor Light



CT1080

### SPECIFICATIONS

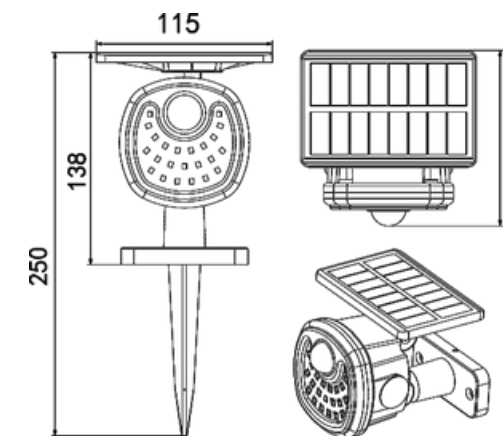
- Rated Power: 1.8W(23PCS LED)
- Power Supply: Rechargeable Li-ion Battery (2\*18650 Li-ion 3.7V 1800mAh) Solar
- Panel: 5.5V 1W 180mA
- Color Temperature: 6500K
- High Illumination(100% brightness): Around 180LM
- Charge Time: 6-8 hours
- Run Time After Fully Charged: 5-7 hours
- Detection Angle: 120°
- Time Delay: 20±3Sec
- Detection Distance: 8m
- Ambient Light: <30Lux
- Installation Height: 2-3.5m
- IP44



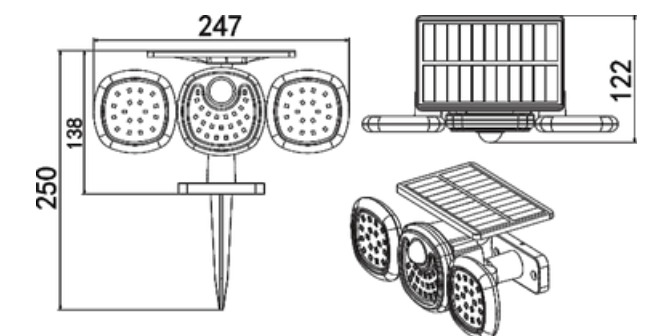
CT1081

### SPECIFICATIONS

- Rated Power: 2.6W(59PCS LED)
- Power Supply: Rechargeable Li-ion Battery (2\*18650 Li-ion 3.7V 2200mAh) Solar
- Panel: 5.5V 1.8W 350mA
- Color Temperature: 6500K
- High Illumination(100% brightness): Around 260LM
- Charge Time: 6-8 hours
- Run Time After Fully Charged: 5-7 hours
- Sensor Angle: 120°
- Time Delay: 20±3Sec
- Detection Distance: 8m
- Ambient Light: <30Lux
- Installation Height: 2-3.5m
- IP44



CT1080



CT1081

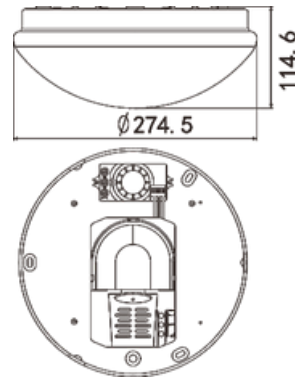
# Microwave Sensor Light



CAE2010-SP  
Glass Cover or PMMA Cover

### SPECIFICATIONS

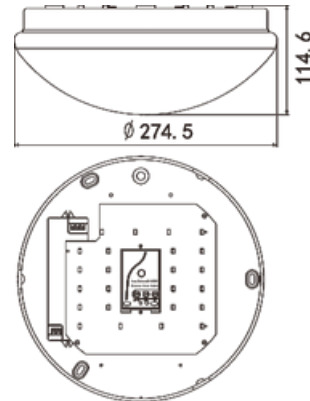
- Rated Load: 60W/E27
- Power Supply: 110-130V/AC 220-240V/AC
- Power Frequency: 50/60Hz
- HF System: 5.8GHz CW radar,ISM band
- Transmission Power: <10mw
- Detection Angle: 360°
- Reach: 1-8m(radii)( adjustable)
- Time Setting: 8sec-12min( adjustable)
- Light Control: 2-2000LUX( adjustable)
- Installation Height: 2-4m



CAE2011  
Glass Cover or PMMA Cover

### SPECIFICATIONS

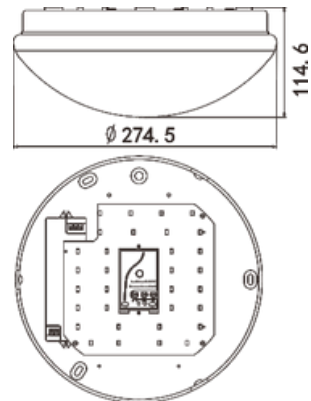
- Power Supply: 110-130V/AC 220-240V/AC
- Power Frequency: 50/60Hz
- HF System: 5.8GHz CW radar,ISM band
- Transmission Power: <0.2mw
- Rated Load: 12W
- LED Quantity: 24PCS SMD LED
- Detection Angle: 360°
- Reach: 1-8m(radii)( adjustable)
- Time Setting: 8sec-12min( adjustable) Light
- Control: 10-2000LUX( adjustable)
- Installation Height: 2-4m



CAE2012  
Glass Cover or PMMA Cover

### SPECIFICATIONS

- Power Supply: 110-130V/AC 220-240V/AC
- Power Frequency: 50/60Hz
- HF System: 5.8GHz CW radar,ISM band
- Transmission Power: <0.2mw
- Rated Load: 16W
- LED Quantity: 32PCS SMD LED
- Detection Angle: 360°
- Reach: 1-8m(radii)( adjustable)
- Time Setting: 8sec-12min( adjustable)
- Light Control: 10-2000LUX( adjustable)
- Installation Height: 2-4m



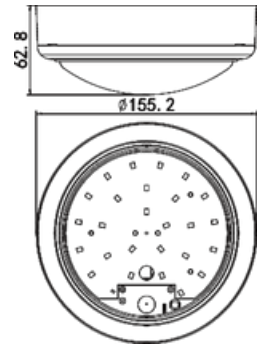
# Microwave Sensor Light



CAE2013A  
CAE2013B  
CAE2013C

### SPECIFICATIONS

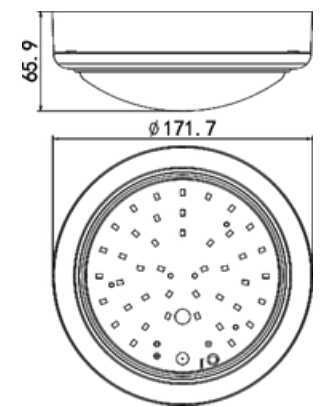
- Power Source: 110~130V/AC 220~240V/AC
- Power Frequency: 50/60Hz
- HF:5.8GHz CW radar,ISM band
- Rated Load: 8W CAE2013A 12W CAE2013B 15W CAE2013C
- Ambient Light: <5Lux
- Detection Angle: 360°
- Time Delay: 30Sec.
- Detection Distance: Max.16m
- Work Temperature: -20~+40°C
- Installation Height: 1.5-3.5m
- IP65



CAE2015A  
CAE2015B  
CAE2015C

### SPECIFICATIONS

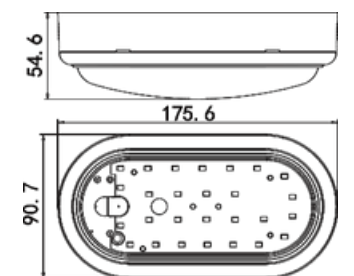
- Power Source: 110~130V/AC 220~240V/AC
- Power Frequency: 50/60Hz
- HF:5.8GHz CW radar,ISM band
- Rated Load: 15W CAE2015A 18W CAE2015B 24W CAE2015C
- Ambient Light: <5Lux
- Detection Angle: 360°
- Time Delay: 30Sec.
- Detection Distance: Max.16m
- Work Temperature: -20~+40°C
- Installation Height: 1.5-3.5m
- IP65



CAE2016A  
CAE2016B  
CAE2016C

### SPECIFICATIONS

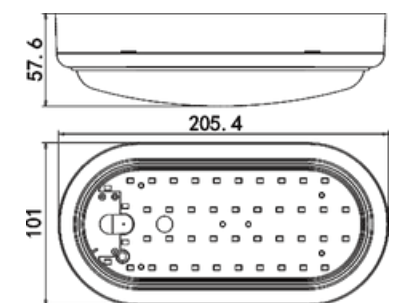
- Power Source: 110~130V/AC 220~240V/AC
- Power Frequency: 50/60Hz
- HF:5.8GHz CW radar,ISM band
- Rated Load: 8W CAE2016A 12W CAE2016B 15W CAE2016C
- Ambient Light: <5Lux
- Detection Angle: 140°
- Time Delay: 30Sec.
- Detection Distance: Max.16m
- Work Temperature: -20~+40°C
- Installation Height: 1.5-3.5m
- IP65



CAE2017A  
CAE2017B  
CAE2017C

### SPECIFICATIONS

- Power Source: 110~130V/AC 220~240V/AC
- Power Frequency: 50/60Hz
- HF:5.8GHz CW radar,ISM band
- Rated Load: 15W CAE2017A 18W CAE2017B 24W CAE2017C
- Ambient Light: <5Lux
- Detection Angle: 140°
- Time Delay: 30Sec.
- Detection Distance: Max.16m
- Work Temperature: -20~+40°C
- Installation Height: 1.5-3.5m
- IP65



# Light-control Switch(photocell)

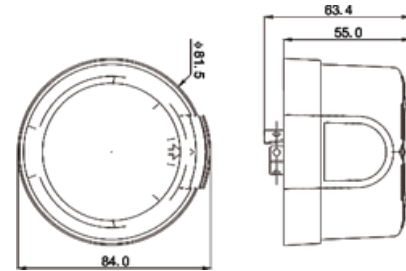


## SPECIFICATIONS

Power Voltage:	120-277V/AC
Power Frequency:	60Hz
Ambient Light:	2-50Lux

### Ratings:

Electric Rating	Load Type
120Vac, 60Hz, 1000W	Tungsten
120Vac, 60Hz, 1800VA	Ballast
120Vac, 60Hz, 8A	Electronic Ballast
208-277Vac, 60Hz, 1000W	Tungsten
208-277Vac, 60Hz, 1800VA	Ballast
208-277Vac, 60Hz, 5A	Electronic Ballast

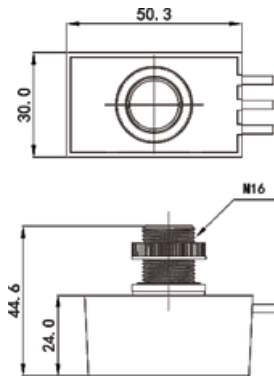


## SPECIFICATIONS

Power Voltage:	120-277V/AC
Power Frequency:	60Hz
Ambient Light:	2-50Lux

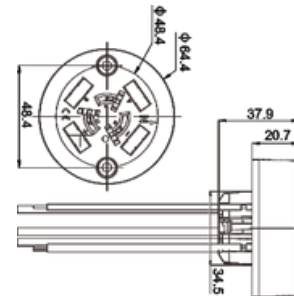
### Ratings:

Electric Rating	Load Type
120Vac,5A(600W)	Tungsten
120Vac,5A(600VA)	Ballast
120Vac,3A(360W)	Electronic Ballast
208-277Vac 600W	Tungsten
208-277Vac 600VA	Ballast
208-277Vac, 2A	Electronic Ballast



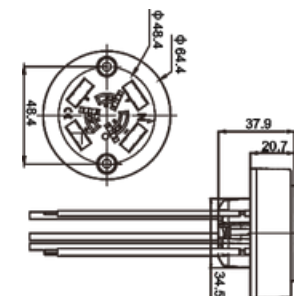
## SPECIFICATIONS

Maximum Voltage:	480V/AC
Power Frequency:	60Hz
Load Rating:	15A



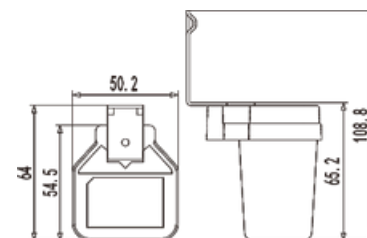
## SPECIFICATIONS

Maximum Voltage:	480V/AC
Power Frequency:	60Hz
Load Rating:	15A
Signal Control:	0-30 V dc, 250 mA Max



## SPECIFICATIONS

- Power Voltage: 110-130V/AC 220-240V/AC
- Power Frequency: 50/60Hz
- Ambient Light: 5-45Lux
- Rated Current: 10A

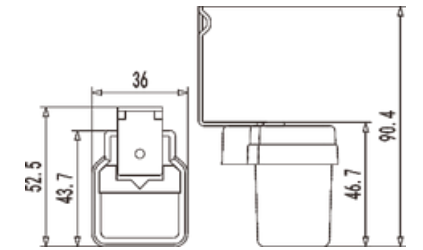


# Light-control Switch(photocell)



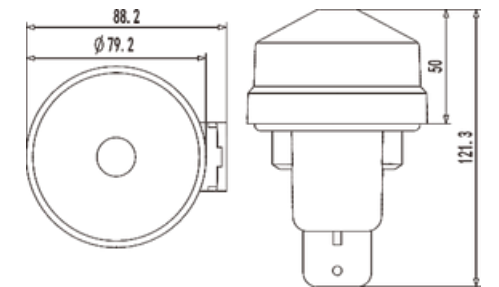
## SPECIFICATIONS

- Power Voltage: 110-130V/AC 220-240V/AC
- Power Frequency: 50/60Hz
- Ambient Light: 5-45Lux
- Rated Current: 6A



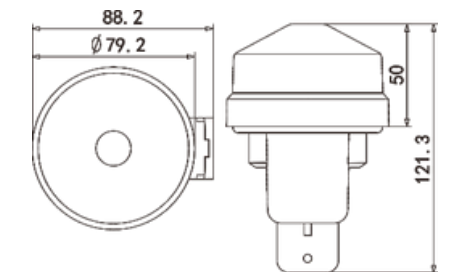
## SPECIFICATIONS

- Power Voltage: 110-130V/AC 220-240V/AC
- Power Frequency: 50/60Hz
- Ambient Light: 5-45Lux (Required by Customer)
- Rated Current: 10A



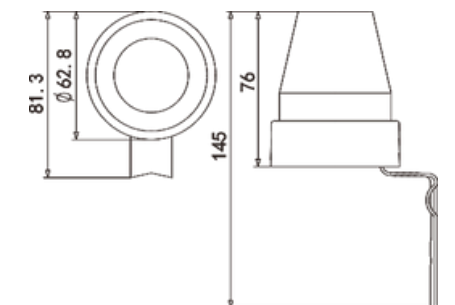
## SPECIFICATIONS

- Power Voltage: 110-130V/AC 220-240V/AC
- Power Frequency: 50/60Hz
- Ambient Light: 5-45Lux (Required by Customer)
- Rated Current: 10A



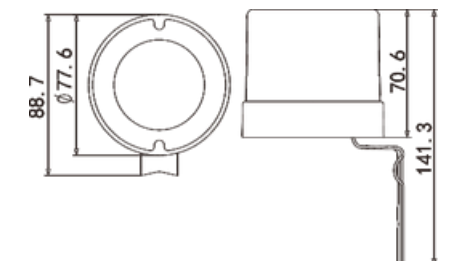
## SPECIFICATIONS

- Power Voltage: 110-130V/AC 220-240V/AC
- Power Frequency: 50/60Hz
- Ambient Light: 2-100Lux(adjustable)
- Rated Current: 10A



## SPECIFICATIONS

- Power Voltage: 110-130V/AC 220-240V/AC
- Power Frequency: 50/60Hz
- Ambient Light: 2-100Lux(adjustable)
- Rated Current: 10A,15A,25A



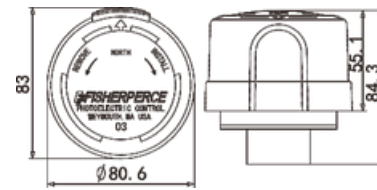
# Light-control Switch(photocell)



CAC1008

### SPECIFICATIONS

- Power Voltage: 110-130V/AC  
220-240V/AC
- Power Frequency: 50/60Hz
- Ambient Light: 5-45Lux  
(Required by Customer)
- Rated Load: 10A



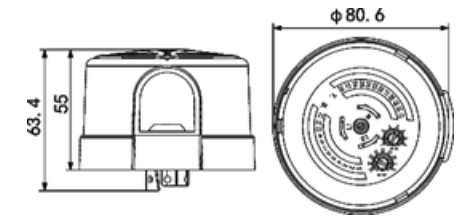
# Light-control Switch(photocell)



CAC1016

### SPECIFICATIONS

- Power Supply: 110-130V/AC  
220-240V/AC  
12VDC
- Power Frequency: 50/60Hz
- Ambient Light: 2-100Lux
- AM on Time: 1-8am (adjustable)
- PM Time off: 6pm-2am (adjustable)
- Rated Current: 10A



Function: The time setting are adjustable

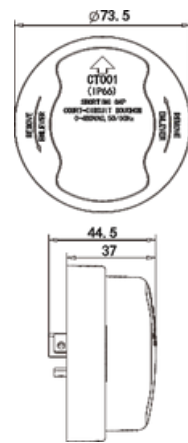
1: Light on at dusk, light off 12pm, for example, you can set the time to about 9pm, then it will turn off the lights about 9 o'clock at night.

2: Light on at 5am, light off at dawn, for example, you can set the time to about 3am, then it will turn on the lights about 3 o'clock in the morning until photocell sensor detects adequate natural day-lighting at dawn.

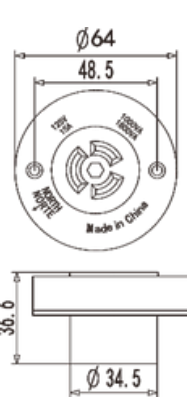
3: If you need light all night, set the knob to 2:00 PM OFF and 1:00 AM ON.



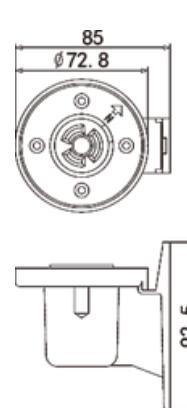
CT001



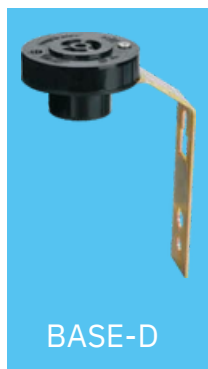
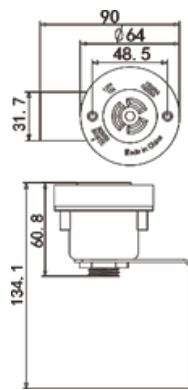
BASE-A



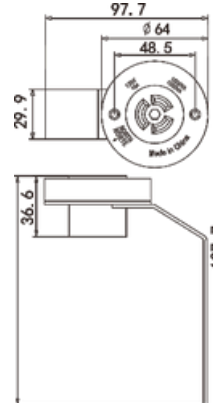
BASE-B



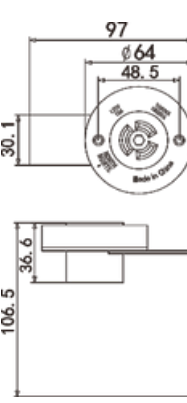
BASE-C



BASE-D



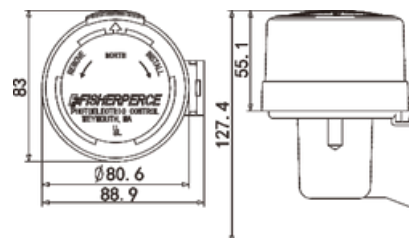
BASE-E



CAC1010

### SPECIFICATIONS

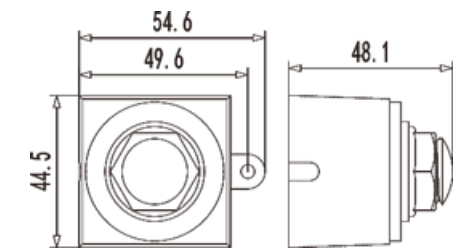
- Power Voltage: 110-130V/AC  
220-240V/AC
- Power Frequency: 50/60Hz
- Ambient Light: 5-45Lux  
(Required by Customer)
- Rated Load: 10A



CAC1022A

### SPECIFICATIONS

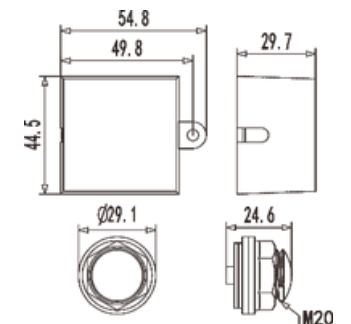
- Power Voltage: 110-130V/AC  
220-240V/AC
- Power Frequency: 50/60Hz
- Ambient Light: 20-70Lux  
(Required by Customer)
- Rated Current: 5A



CAC1022B

### SPECIFICATIONS

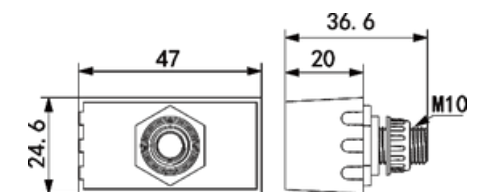
- Power Voltage: 110-130V/AC  
220-240V/AC
- Power Frequency: 50/60Hz
- Ambient Light: 20-70Lux  
(Required by Customer)
- Rated Current: 5A



CT1010

### SPECIFICATIONS

- Power Supply: 110-130V/AC  
220-240V/AC
- Power Frequency: 50/60Hz
- Ambient Light: 5-45Lux
- Rated Current: 2A

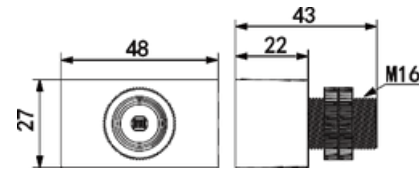


## Light-control Switch(photocell)



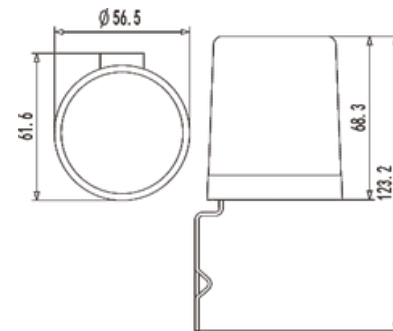
### SPECIFICATIONS

- Power Voltage: 110-130V/AC  
220-240V/AC
- Power Frequency: 50/60Hz
- Ambient Light: 5-45Lux
- Rated Current: 5A



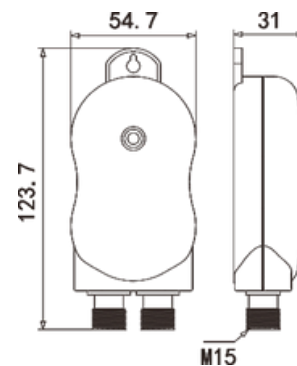
### SPECIFICATIONS

- Power Voltage: 110-130V/AC  
220-240V/AC
- Power Frequency: 50/60Hz
- Ambient Light: 5-45Lux
- Rated Current: 10A



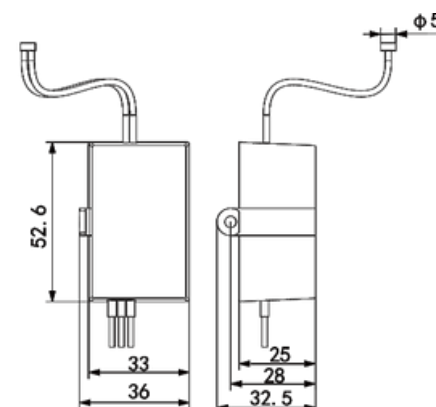
### SPECIFICATIONS

- Power Voltage: 12V/AC
- Power Frequency: 50/60Hz
- Ambient Light: 5-45Lux
- Rated Current: 10A



### SPECIFICATIONS

- Power Voltage: 110-130V/AC  
220-240V/AC
- Power Frequency: 50/60Hz
- Ambient Light: 5-45Lux
- Rated Current: 2A

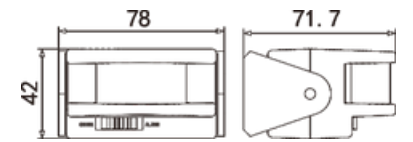


## Sensor Alarm



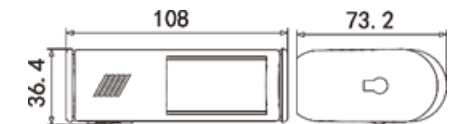
### SPECIFICATIONS

- Detection Distance: 8m(Max)(<24°)
- Detection Range: >140°
- Alarm Sound: >60db
- Operating Voltage: DC9V
- Switch Function: Alarm/Off/Chime



### SPECIFICATIONS

- Detection Distance: 8m(Max)(<24°)
- Detection Range: >140°
- Alarm Sound: >65db
- Operating Voltage: DC9V
- Switch Function: Alarm/Off/Chime

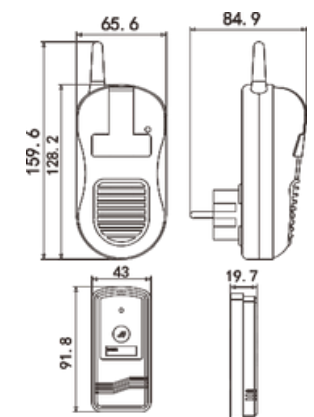


## Wireless Doorbell



### SPECIFICATIONS

- Working Frequency: 433MHz/315MHz
- Power Emission: 12V/DC
- Receiving: 230V/AC/50/60HZ
- Distance: >30m(open position)
- Chime Sound: >60db

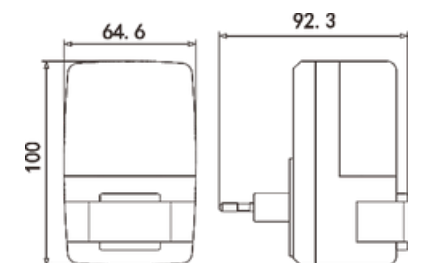


## PIR Night-Lamp



### SPECIFICATIONS

- Power Source: 85-265V/AC
- Power Frequency: 50/60Hz
- Ambient Light: <10-20Lux
- Rated Load: 2.4W(12pcs SMD LED)
- Detection Range(22°C): 180°
- Detection Distance: 7-9m(Max)
- Time Delay: 30Sec±5Sec
- Switch Function: ON/AUTO/OFF
- Work Temperature: -20~+40°C

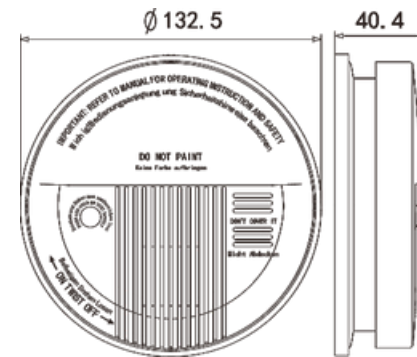


# Smoke Alert



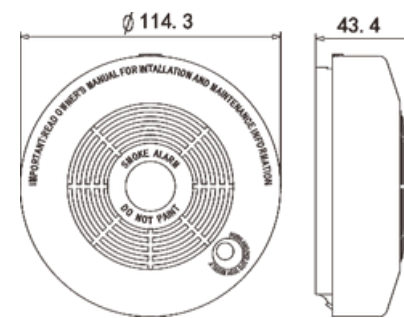
### SPECIFICATIONS

- Battery: DC9V or AC110V, 220V
- Alarm Sound:  $\geq 85$ db(3m)
- Static Current:  $< 8\mu\text{A}$
- Alarm Current: 10mA
- Low Voltage Alarm: 5.5V-6.2V
- Work Temperature:  $-20\sim+40^{\circ}\text{C}$
- Low Battery Alert Remain: 7-15 days



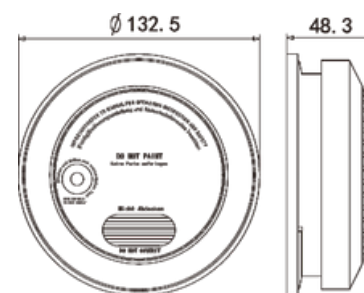
### SPECIFICATIONS

- Static Current:  $< 5\mu\text{A}$
- Low Battery Alert Remain: 7-15 days
- Battery: DC9V
- Alarm Sound:  $\geq 85$ db(3m)
- Work Temperature:  $-20\sim+40^{\circ}\text{C}$
- Low Battery Alert Remain: 7-15 days



### SPECIFICATIONS

- Battery: DC9V or AC110V, 220V
- Alarm Sound:  $\geq 85$ db(3m)
- Static Current:  $< 8\mu\text{A}$
- Alarm Current: 10mA
- Low Voltage Alarm: 5.5V-6.2V
- Work Temperature:  $-20\sim+40^{\circ}\text{C}$
- Low Battery Alert Remain: 7-15 days



### SPECIFICATIONS

- Battery: DC9V or AC110V, 220V
- Alarm Sound:  $\geq 85$ db(3m)
- Static Current:  $< 8\mu\text{A}$
- Alarm Current: 10mA
- Low Voltage Alarm: 5.5V-6.2V
- Work Temperature:  $-20\sim+40^{\circ}\text{C}$
- Low Battery Alert Remain: 7-15 days

