

DIRECTORY

Industrial control relay series

01-40

Industrial control Y series

CA13F	02
CA36F	05
CA37F	07
PYF Series socket	09
PYP Series socket	11

Industrial control T series

	13
CA36FW	15
CA11FW	16
PTF Series socket	17
PTP Series socket	18

Industrial control P series

CA29F	20
CA29F1	21
CA28F	22
CA25F	23
CA10F	24
PPF Series socket	25
US Series socket	28

Interface R series

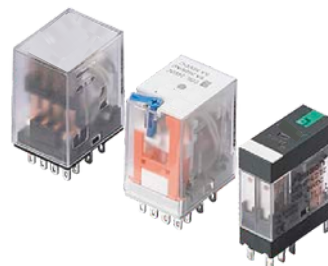
CA14F Interface relay	30
CA14F-LS Interface relay	32
PRF Series socket	34
PRP Series socket	35

Interface B series

CA41F Interface relay	37
PBF05-E Series socket	38

Industrial control two-in-one relay series

CA20F Two in one	39
CA21F Two in one	40



High power relay series

41-64

CA38FN Quick screw type	41
CA40FN Quick screw type	42
CA59FN Quick screw type	43
CA60FN Quick screw type	44
CA62FD Quick screw type	45
CA62FN Quick screw type	46
CA62FA Quick screw type	48



CA12F 1Z	49
CA12F 2Z	50
CA30F	51
CA38F	52
CA38FV	53
PIF Series socket	54
CA52F	55
CA53F	57
PEF Series socket	58
CA59F	59
CA60F	61
CA62F	62
CA62FH	63
CA82F	64

PCB relay series

66-74

CA115F	66
CA14FC	67
PDF Series socket	68
PDP Series socket	69
CA3F	70
CA15F	71
CA16F	72
CA18F	73
CA32F	74



Automobile relay series

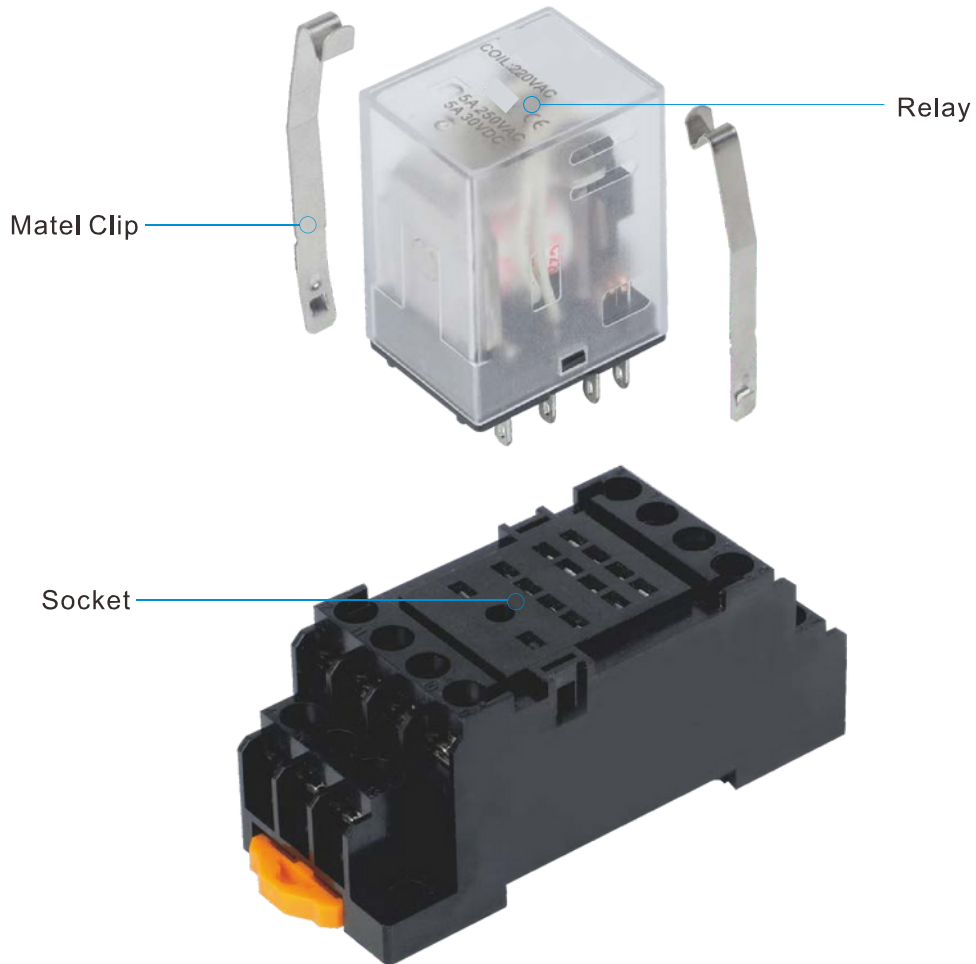
75-80

CA401	75
CA402	76
CA403	77
CA405	78
CA406	79
CA408	80



Outlet accessories general assembly

81



Sockets Selection Table

	PYF□□A	PYF□□A-E	PYP□□	PYF□□-E2	PYF□□-E3

Note: Other matched accessories please refer to the bottom page.



CA13F 2Z
(HH52P MY2)



CA13F 3Z
(HH53P MY3)



CA13F 4Z
(HH54P MY4)

Features

- ◆ small size
- ◆ rated current 5A
- ◆ good control response. low operating power

Ordering Information

Mount Options

N/A: plug in P:PCB
S:flange

Options

L:LED D:diode

Contact Form

2Z(Z:C H:A D:B)
3Z(Z:C H:A D:B)
4Z(Z:C H:A D:B)

Voltage Type

D:DC A:AC

Coil Voltage

see coil data

Contact Material

1: AgSnO₂ 2: AgNi

CA13F□-□ □ □ □ □



Specifications

		2Z	3Z	4Z
Contact	Contact Form	2Z	3Z	4Z
	Rated Load	5A 250VAC/30VDC		
	Electrical/Mechanical Life	≥100000times/1000000times		
	Initial Contact Resistance	≤100mΩ (1A 6VDC)		
	Contact Material	AgSnO ₂ AgNi		
Characteristics	Insulation Resistance	≥500MO (500VDC)		
	Dielectric Strength	Between open contacts≥1000VAC/1min		
		Between poles≥1500VAC/1min		
		Between contact and coil≥1500VAC/1min		
	Operate/Release Time	≤25ms/25ms		
Terminal Type	PCB /Plug in			
Coil	Operating PowerDC/AC	0.9W/1.2VA		

DC Coil Data

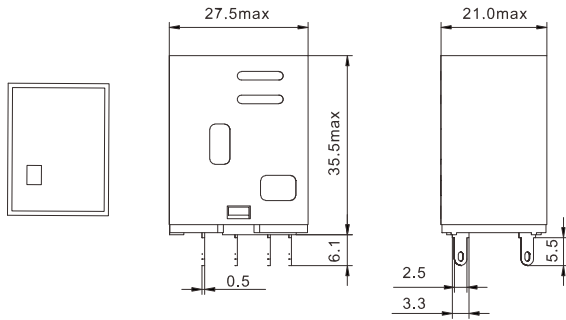
Rated Voltage VDC	Pickup Voltage VDC	Dropout Voltage VDC	Coil Resistance Ω±10%
5	4.0	0.5	28
6	4.8	0.6	40
12	9.6	1.2	160
24	19.2	2.4	650
48	38.4	4.8	2560
110	88.0	11.0	11000

AC Coil Data

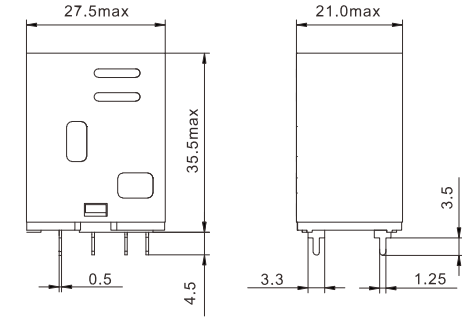
Rated Voltage VAC	Pickup Voltage VAC	Dropout Voltage VAC	Coil Resistance Ω±10%
6	4.8	1.80	10.5
12	9.6	3.60	46.5
24	19.2	7.20	192
48	38.4	14.4	783
110/120	88.0	33.0	4000
220/240	176.0	66.0	15000

Dimensions (mm)

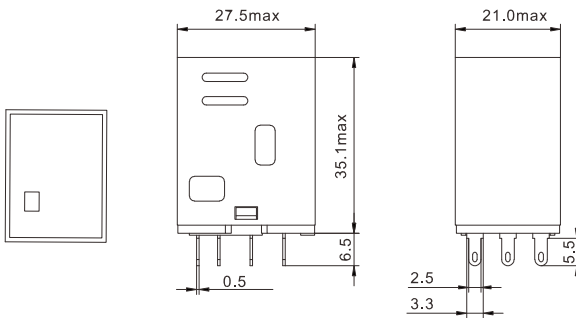
CA13F 2Z



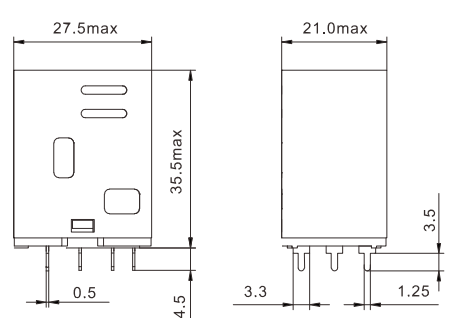
CA13FP 2Z (PCB Mount)



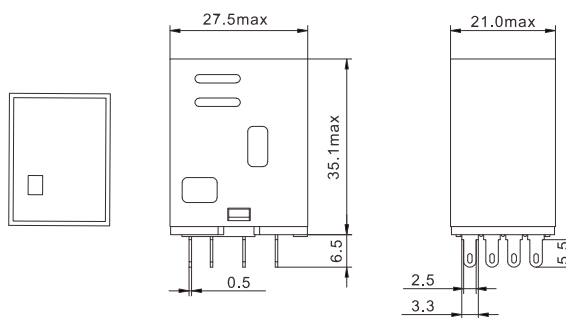
CA13F 3Z



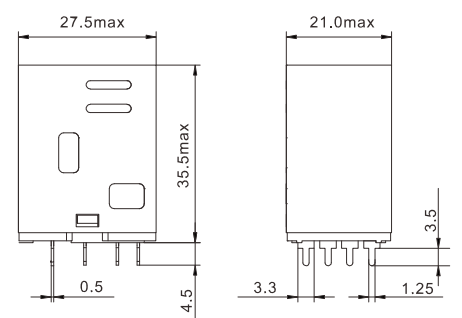
CA13FP 3Z (PCB Mount)



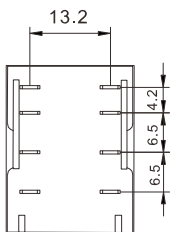
CA13F 4Z



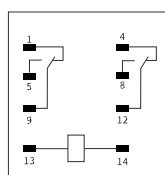
CA13FP 4Z (PCB Mount)



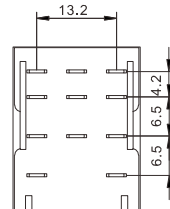
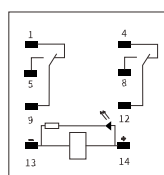
Wiring Diagrams



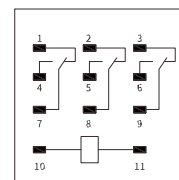
CA13F 2Z



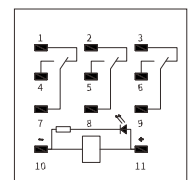
CA13F-L 2Z



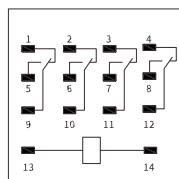
CA13F 3Z



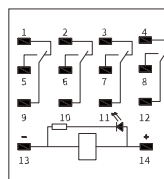
CA13F-L 3Z

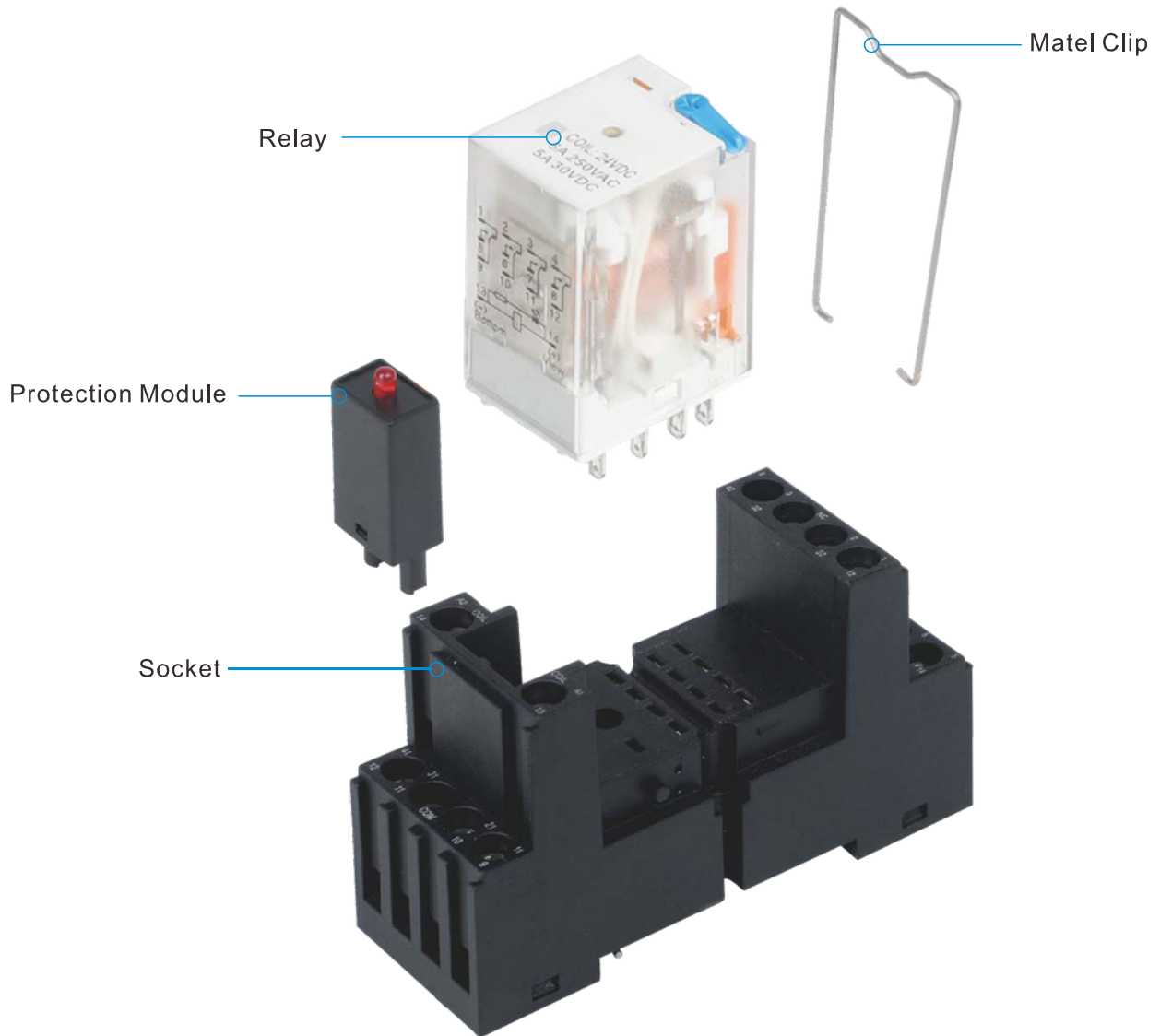


CA13F 4Z



CA13F-L 4Z





Sockets Selection Table

	PYF□□A	PYF□□A-E	PYF□□-E2	PYF□□-E3	PYP□□

Note: Other matched accessories please refer to the bottom page.



CA36F-LS 2Z
(36.02)



CA36F-LS 3Z
(36.03)

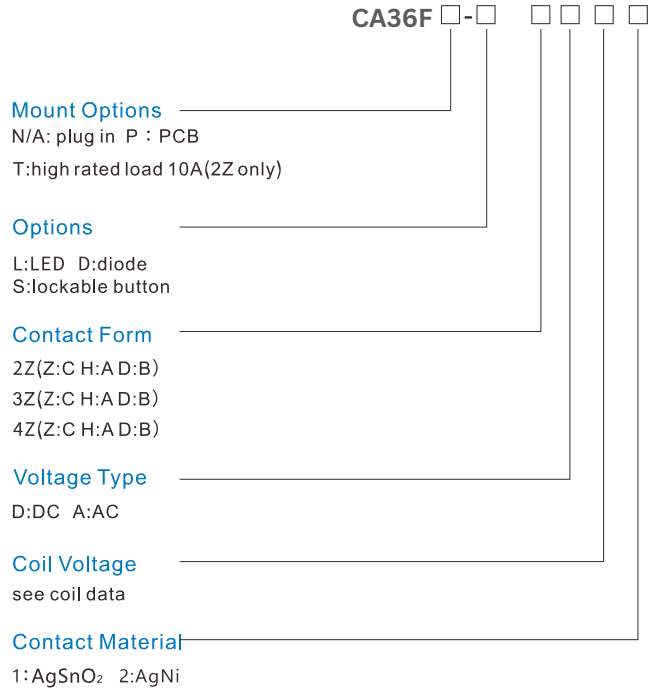


CA36F-LS 4Z
(36.04)

Features

- ◆ with LED indicator,
- ◆ with lockable test button and inspection window
- ◆ rated load 5A , AS36FT 2Z rated load 10A

Ordering Information



Notes:We has now gradually updated our ordering information. We suggest new type should be selected. If necessary, old type can be kept for some period for the old customers.



Specifications

		2Z	3Z	4Z
Contact	Contact Form	2Z	3Z	4Z
	Rated Load	5A , 10A 250VAC/30VDC	5A 250VAC/30VDC	
	Electrical/Mechanical Life	≥100000times/1000000times		
	Initial Contact Resistance	≤100MΩ (1A 6VDC)		
	Contact Material	AgSnO ₂ AgNi		
Characteristics	Insulation Resistance	≥500MΩ (500VDC)		
	Dielectric Strength	Between open contacts≥1000VAC/1min		
		Between poles≥1500VAC/1min		
		Between contact and coil ≥1500VAC/1min		
	Operate/Release Time	≤25ms/25ms		
Terminal Type	Plug in/PCB			
Coil	Operating PowerDC/AC	0.9W/1.2VA		

DC Coil Data

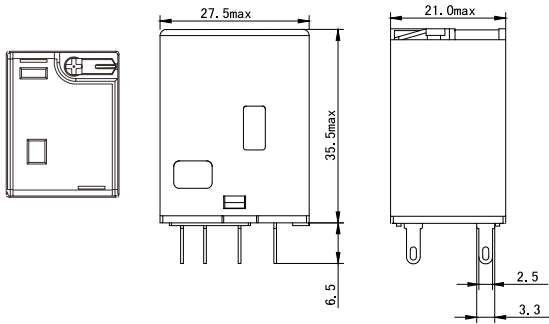
Rated Voltage VDC	Pickup Voltage VDC	Dropout Voltage VDC	Coil Resistance Ω±10%
5	4.0	0.5	28
6	4.8	0.6	40
12	9.6	1.2	160
24	19.2	2.4	650
48	38.4	4.8	2560
110	88.0	11.0	11000

AC Coil Data

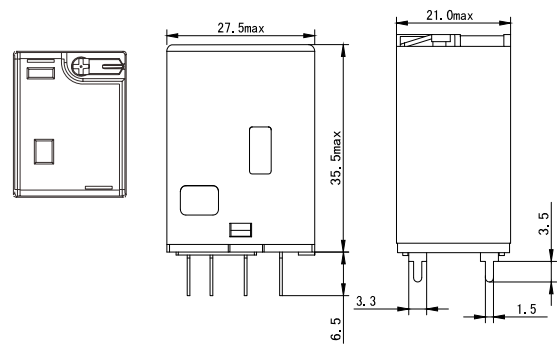
Rated Voltage VAC	Pickup Voltage VAC	Dropout Voltage VAC	Coil Resistance Ω±10%
6	4.80	1.80	10.5
12	9.60	3.60	46.5
24	19.2	7.20	192
48	38.4	14.4	783
110/120	88.0	33.0	4000
220/240	176.0	66.0	15000

Dimensions (mm)

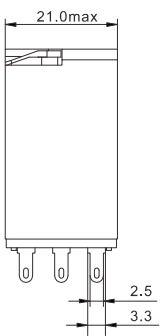
CA36F 2Z



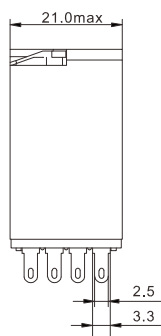
CA36FP 2Z (PCB Mount)



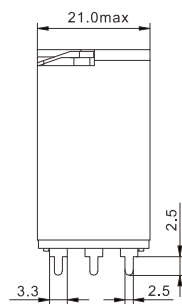
CA36F 3Z



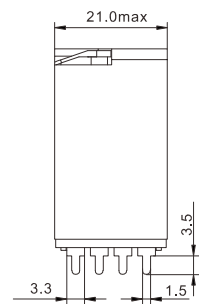
CA36F 4Z



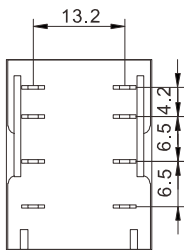
CA36FP 3Z (PCB Mount)



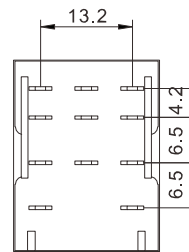
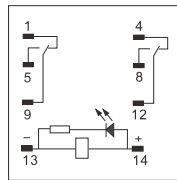
CA36FP 4Z (PCB Mount)



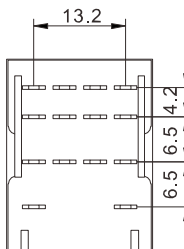
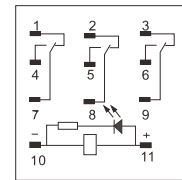
Wiring Diagrams



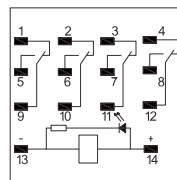
CA36F 2Z/CA36FT 2Z



CA36F 3Z



CA36F 4Z





CA37F-LS 2Z
(36.02A)



CA37F-LS 3Z
(36.03A)

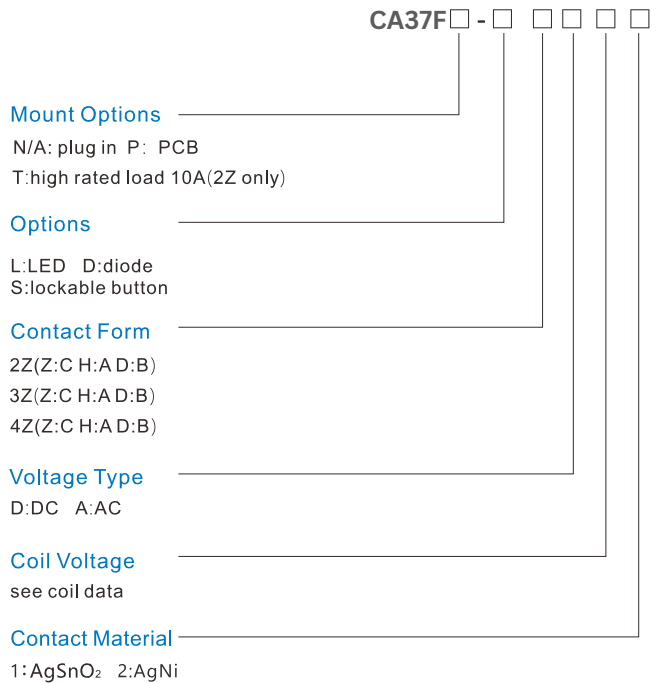


CA37F-LS 4Z
(36.04A)

Features

- ◆ with LED indicator,
- ◆ with lockable test button and inspection window
- ◆ rated load 5A ; AS37FT 2Z rated load 10A

Ordering Information



Notes:We has now gradually updated our ordering information. We suggest new type should be selected. If necessary, old type can be kept for some period for the old customers.



Specifications

		2Z	3Z	4Z
Contact	Contact Form	2Z	3Z	4Z
	Rated Load	5A . 10A 250VAC/30VDC	5A 250VAC/30VDC	
	Electrical/Mechanical Life	≥100000times/1000000times		
	Initial Contact Resistance	≤100MΩ (1A 6VDC)		
	Contact Material	AgSnO ₂ AgNi		
Characteristics	Insulation Resistance	≥500MΩ (500VDC)		
	Dielectric Strength	Between open contacts≥1000VAC/1min		
		Between poles≥1500VAC/1min		
		Between contact and coil ≥1500VAC/1min		
	Operate/Release Time	≤25ms/25ms		
	Terminal Type	Plug in/PCB		
Coil	Operating PowerDC/AC	0.9W/1.2VA		

DC Coil Data

Rated Voltage VDC	Pickup Voltage VDC	Dropout Voltage VDC	Coil Resistance Ω±10%
5	4.0	0.5	28
6	4.8	0.6	40
12	9.6	1.2	160
24	19.2	2.4	650
48	38.4	4.8	2560
110	88.0	11.0	11000

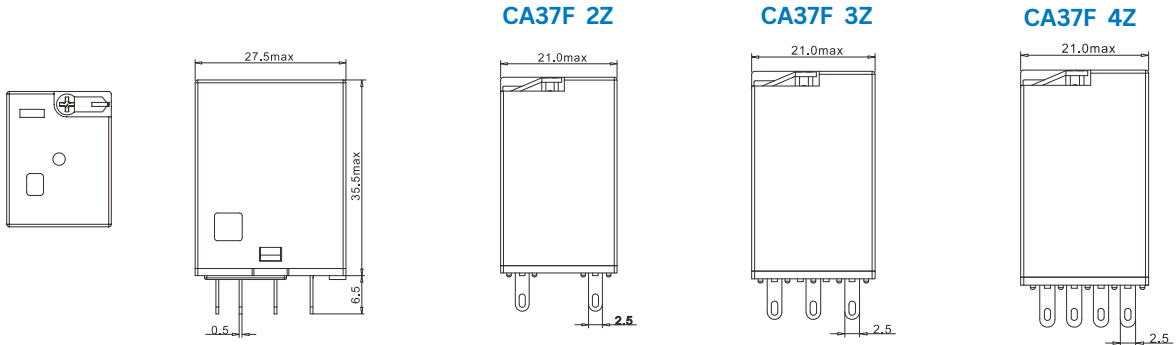
AC Coil Data

Rated Voltage VAC	Pickup Voltage VAC	Dropout Voltage VAC	Coil Resistance Ω±10%
6	4.8	1.8	10.5
12	9.6	3.6	46.5
24	19.2	7.2	192
48	38.4	14.4	783
110/120	88.0	33.0	4000
220/240	176.0	66.0	15000

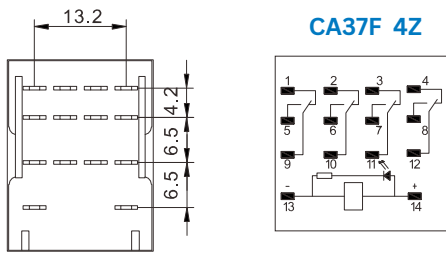
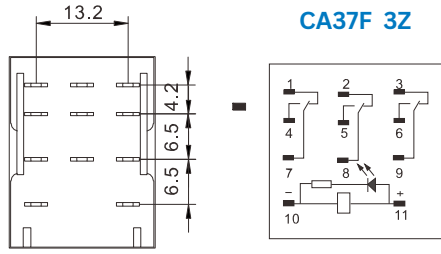
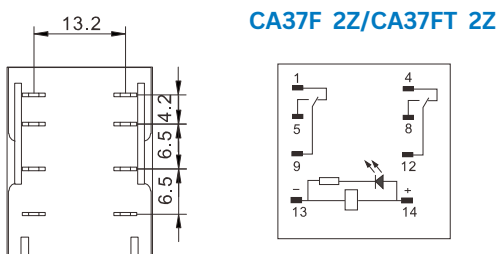
CA37F Industrial Relay



Dimensions (mm)



Wiring Diagrams



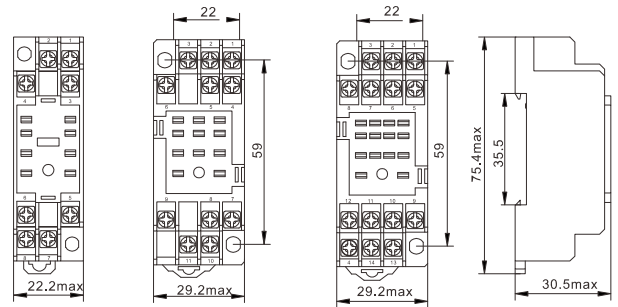
➔ PYF □ □ A



Product Appearance



Dimensions (mm)



PYF08A

PYF11A

PYF14A

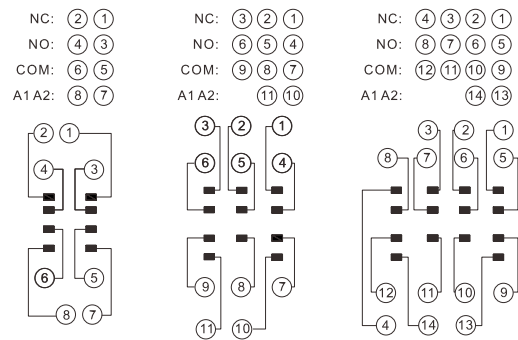
Specifications

Rated Load	Current/Voltage	A/VAC	7/300
Dielectric Strength	Coil & Contacts	V/S	2000
	Between contacts	V/S	2000
Wire Size	AWG/mm2	20-16/0.5-1.5	
Tightening Torque	Nm	0.7	

Matched accessories

Socket	Clip	Module	DIN Rail
PYF08A	K-35S	/	
PYF11A			
PYF14A			

Connection Diagrams



PYF08A

PYF11A

PYF14A

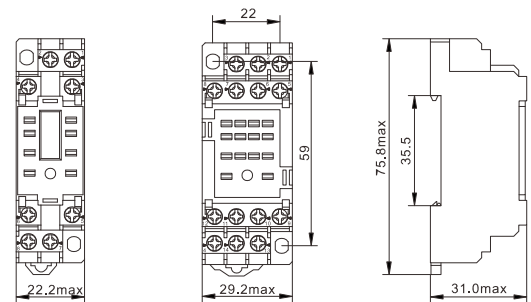
➔ PYF □ □ A-E



Product Appearance



Dimensions (mm)



PYF08A-E

PYF14A-E

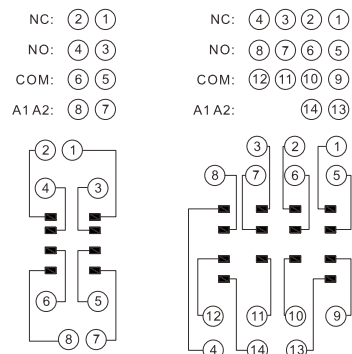
Specifications

Rated Load	Current/Voltage	A/VAC	7/300
Dielectric Strength	Coil & Contacts	V/S	2000
	Between contacts	V/S	2000
Wire Size	AWG/mm2	20-16/0.5-1.5	
Tightening Torque	Nn	0.7	
Terminal Ingress Protection		IP20	

Matched Accessories

Socket	Clip	Module	DIN Rail
PYF08A-E	K-35S	/	
PYF14A-E			

Connection Diagrams



PYF08A-E

PYF14A-E

➔ PYF□□-E2



Product Appearance



PYF□□-E2
(RT704-B)

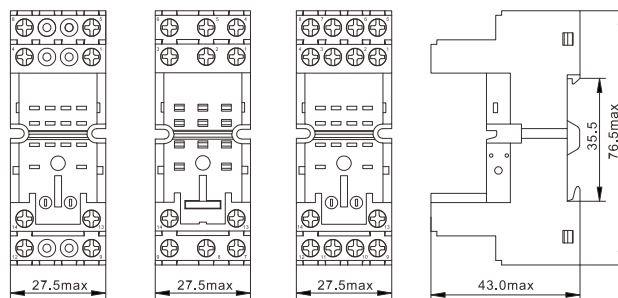
Specifications

Rated Load	Current/Voltage	A/VAC	10/300
Dielectric Strength	Coil & Contacts	V/S	4000
	Between contacts	V/S	2500
Wire Size	AWG/mm2	20-14/0.5-2.5	
Tightening Torque	Nm	0.8	
Terminal Ingress Protection	IP20		

Matched Accessories

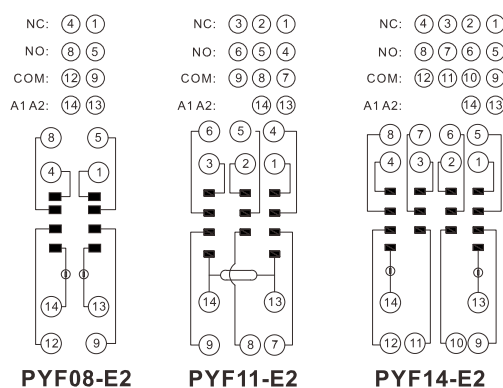
Socket	Clip	Module	DIN Rail
PYF08-E2	B-35	AMB	
PYF11-E2		AMA	
PYF14-E2	K-35	AMB	

Dimensions (mm)



PYF08-E2 PYF11-E2 PYF14-E2

Connection Diagrams



➔ PYF□□-E3



Product Appearance



PYF□□-E3
(AS704-B)

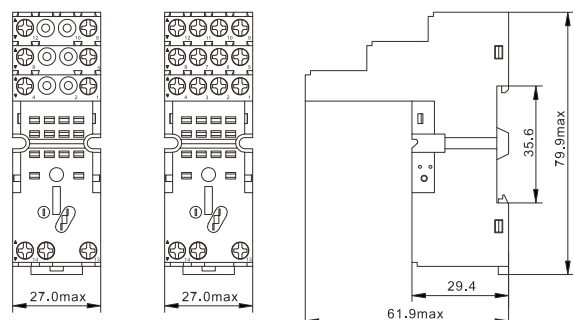
Specifications

Rated Load	Current/Voltage	A/VAC	10/300
Dielectric Strength	Coil & Contacts	V/S	4000
	Between contacts	V/S	2500
Wire Size	AWG/mm2	20-14/0.5-2.5	
Tightening Torque	Nm	0.8	
Terminal Ingress Protection	IP20		

Matched Accessories

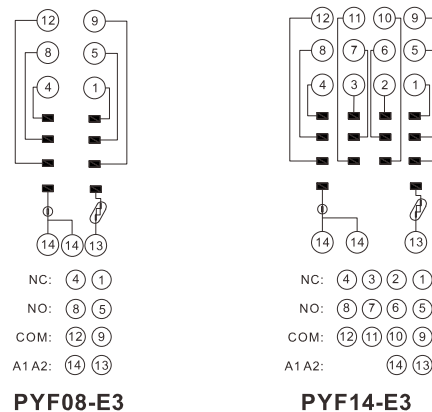
Socket	Clip	Module	DIN Rail
PYF08-E3	B-35	AMB	
PYF14-E3			

Dimensions (mm)



PYF08-E3 PYF14-E3

Connection Diagrams





Product Appearance



PYP□□
(PY-14A)

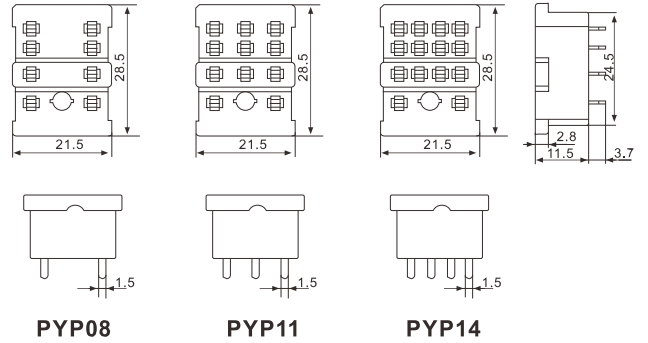
Specifications

Rated Load	Current/Voltage	A/VAC	10/300
Dielectric Strength	Coil & Contacts	V/S	4000
	Between contacts	V/S	2000
Wire Size		AWG/mm ²	/
Tightening Torque		Nm	/
Terminal Ingress Protection			/

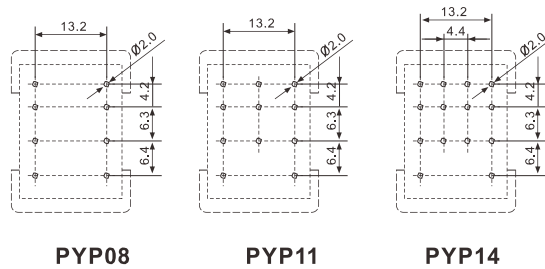
Matched Accessories

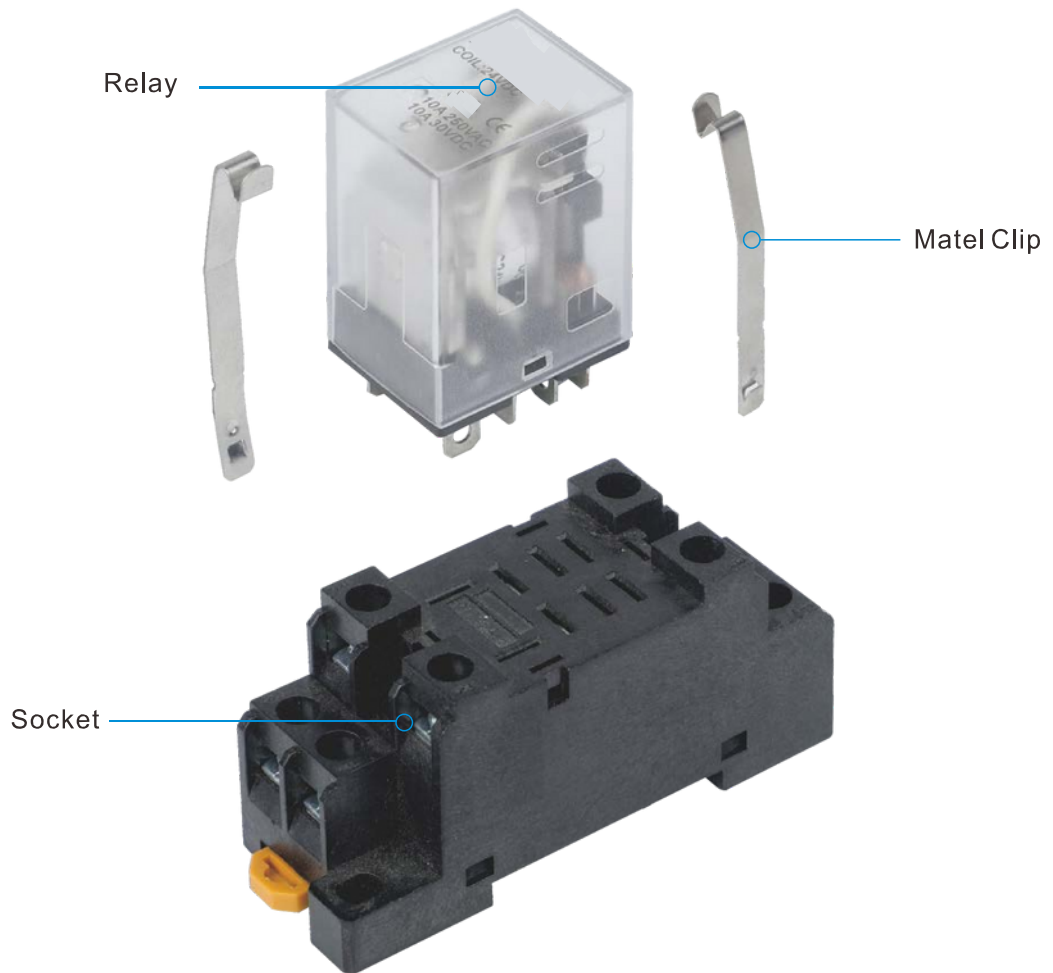
Socket	Clip	Module	DIN Rail
PYP08	K-35T	/	/
PYP11			
PYP14			

Dimensions (mm)







Connection Diagrams





Sockets Selection Table

 Series			
	PTF□□A	PTF□□A-E	PTP□□

Note: Other matched accessories please refer to the bottom page.



CA13FW 1Z
(LY1)



CA13FW 2Z
(HH62P LY2)



CA13FW 3Z
(HH63P LY3)



CA13FW 4Z
(HH64P LY4)

Features

- ◆ small size, good control response, low coil operating power
- ◆ Rated Load 1Z 15A; 2Z 10A

Ordering Information

Mount Options

W: Wide Type Plug in
WS: Wide Type plug in&Flange
WP: Wide Type&PCB

Options

L:LED D:diode

Contact Form

1Z(Z:C H:A D:B)
2Z(Z:C H:A D:B)
3Z(Z:C H:A D:B)
4Z(Z:C H:A D:B)

Voltage Type

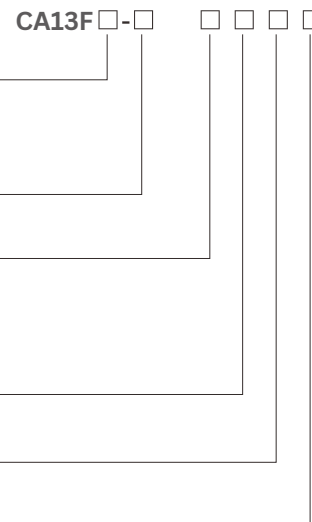
D:DC A:AC

Coil Voltage

see coil data

Contact Material

1:AgSnO₂ 2:AgNi



Notes: We have now gradually updated our ordering information. We suggest new type should be selected. If necessary, old type can be kept for some period for the old customers.



Specifications

	Contact Form	1Z	2Z	3Z	4Z
Contact	Rated Load	15A 250VAC/30VDC	10A 250VAC/30VDC		
	Electrical/Mechanical Life	≥100000times/1000000times			
	Initial Contact Resistance	≤100MΩ (1A 6VDC)			
	Contact Material	AgSnO ₂ AgNi			
	Insulation Resistance	≥500MΩ (500VDC)			
Characteristics	Dielectric Strength	Between open contacts ≥1000VAC/1min			
		Between poles ≥1500VAC/1min			
		Between contact and coil ≥1500VAC/1min			
	Operate/Release Time	≤25ms/25ms			
	Terminal Type	Plug in/PCB			
Coil	Operating PowerDC/AC	0.9W/1.2VA		1.4W/2.0VA	1.5W/2.5VA

DC Coil Data(1Z, 2Z)

Rated Voltage VDC	Pickup Voltage VDC	Dropout Voltage VDC	Coil Resistance Ω±10%
5	4.0	0.5	28
6	4.8	0.6	40
12	9.6	1.2	160
24	19.2	2.4	650
48	38.4	4.8	2560
110	88.0	11.0	11000

DC Coil Data(3Z)

Rated Voltage VDC	Pickup Voltage VDC	Dropout Voltage VDC	Coil Resistance Ω±10%
5	4.0	0.5	18
6	4.8	0.6	25.7
12	9.6	1.2	103
24	19.2	2.4	410
48	38.4	4.8	1700
110	88.0	11.0	8500

AC Coil Data(1Z, 2Z)

Rated Voltage VAC	Pickup Voltage VAC	Dropout Voltage VAC	Coil Resistance Ω±10%
6	4.8	1.8	10.5
12	9.6	3.6	46.5
24	19.2	7.2	192
48	38.4	14.4	783
110/120	88.0	33.0	4000
220/240	176.0	66.0	15000

AC Coil Data(3Z)

Rated Voltage VAC	Pickup Voltage VAC	Dropout Voltage VAC	Coil Resistance Ω±10%
6	4.8	1.8	6.3
12	9.6	3.6	24
24	19.2	7.2	100
48	38.4	14.4	400
110/120	88.0	33.0	2500
220/240	176.0	66.0	9200

CA13FW Industrial Relay

DC Coil Data(4Z)

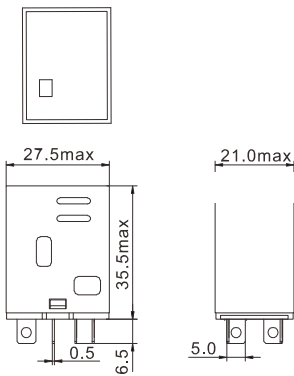
Rated Voltage VDC	Pickup Voltage VDC	Dropout Voltage VDC	Coil Resistance $\Omega \pm 10\%$
5	4.0	0.5	16.6
6	4.8	0.6	25
12	9.6	1.2	100
24	19.2	2.4	350
48	38.4	4.8	1600
110	88.0	11.0	6900

AC Coil Data(4Z)

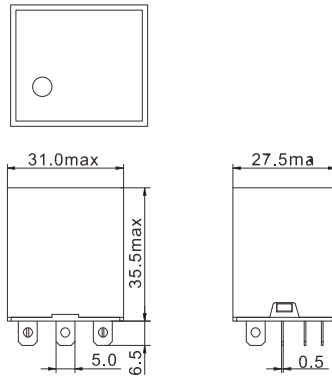
Rated Voltage VAC	Pickup Voltage VAC	Dropout Voltage VAC	Coil Resistance $\Omega \pm 10\%$
6	4.8	1.8	5
12	9.6	3.6	20
24	19.2	7.2	78
48	38.4	14.0	320
110/120	88.0	33.0	1850
220/240	176.0	66.0	7400

Dimensions (mm)

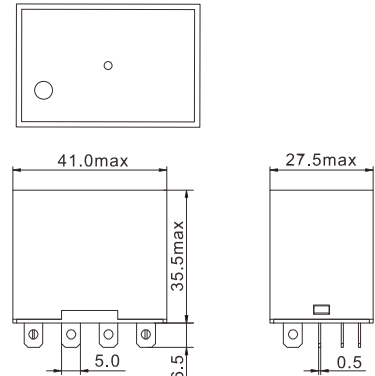
CA13FW 1Z/2Z



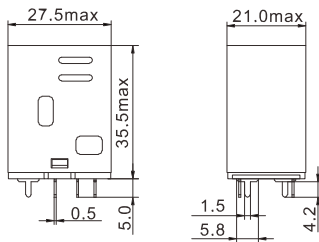
CA13FW 3Z



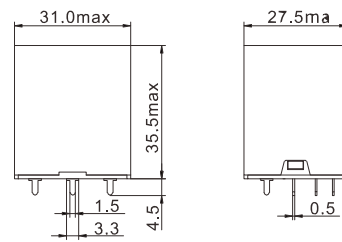
CA13FW 4Z



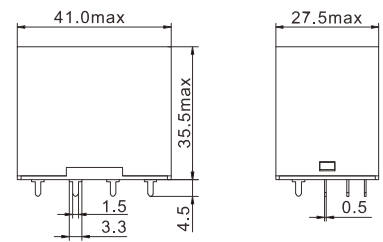
CA13FWP 1Z/2Z(PCB Mount)



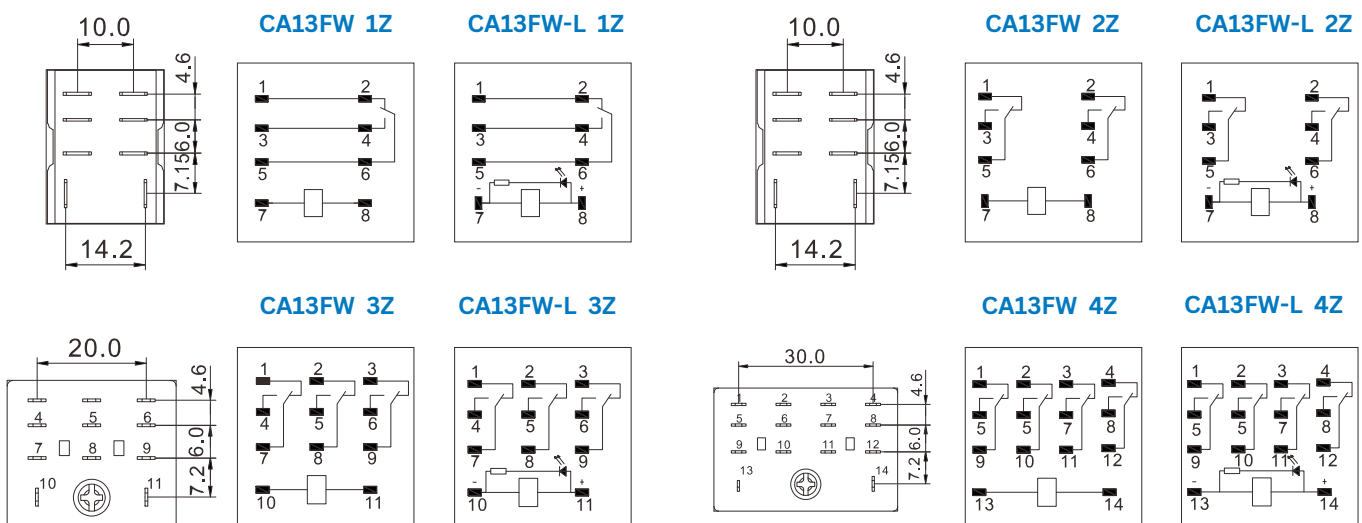
CA13FWP 3Z(PCB Mount)



CA13FWP 4Z(PCB Mount)



Wiring Diagrams



CA36FW Industrial Relay



CA36FW-LS 1Z
(35.01)



CA36FW-LS 2Z
(35.02)



Specifications

	1Z	2Z
Contact Form	1Z	2Z
Rated Load	15A 250VAC /30VDC	10A 250VAC /30VDC
Contact	Electrical/Mechanical Life	≥100000times/1000000times
	Initial Contact Resistance	≤100MΩ (1A 6VDC)
	Contact Material	AgSnO ₂ AgNi
	Insulation Resistance	≥500MΩ (500VDC)
Characteristics	Dielectric Strength	Between open contacts ≥1000VAC/1min
		Between poles ≥1500VAC/1min
		Between contact and coil ≥1500VAC/1min
	Operate/Release Time	≤25ms/25ms
Terminal Type	Plug in/PCB	
Coil	Operating Power DC/AC 0.9W/1.2VA	

DC Coil Data

Rated Voltage VDC	Pickup Voltage VDC	Dropout Voltage VDC	Coil Resistance Ω±10%
5	4.0	0.5	28
6	4.8	0.6	40
12	9.6	1.2	160
24	19.2	2.4	650
48	38.4	4.8	2560
110	88.0	11.0	11000

Features

- ◆ with LED indicator
- ◆ with lockable test button and inspection window
- ◆ Rated Load 1Z 15A; 2Z 10A

Ordering Information

Mount Options

W: Wide Type Plug in

Options

L: LED D: diode
S: lockable button

Contact Form

1Z(Z:C H:A D:B)
2Z(Z:C H:A D:B)

Voltage Type

D: DC A: AC

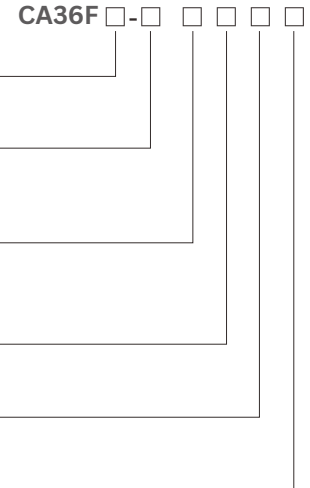
Coil Voltage

see coil data

Contact Material

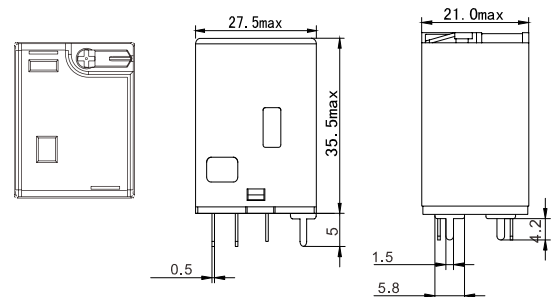
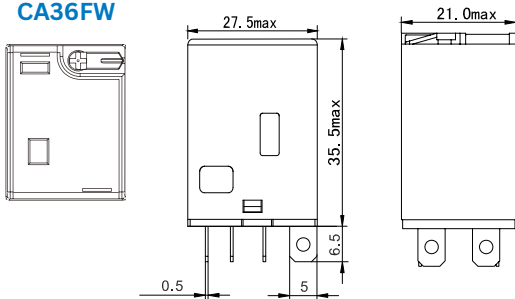
1: AgSnO₂ 2: AgNi

Notes: We have now gradually updated our ordering information. We suggest new type should be selected. If necessary, old type can be kept for some period for the old customers.

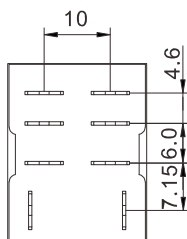


Dimensions (mm)

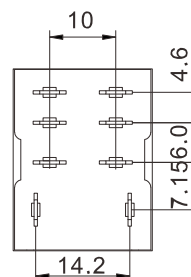
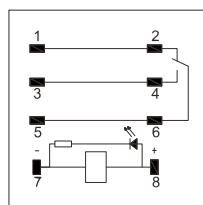
CA36FW



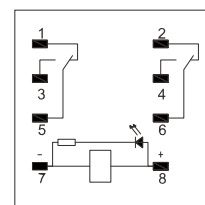
Wiring Diagrams



CA36FW 1Z



CA36FW 2Z



CA11FW Industrial Relay



CA11FW 2Z
(JQX-11F)



Specifications

Contact	Contact Form	2Z
	Rated Load	20A 250VAC/30VDC
	Electrical/Mechanical Life	≥100000times/1000000times
	Initial Contact Resistance	≤100MΩ (1A 6VDC)
	Contact Material	AgSnO ₂ AgNi
Characteristics	Insulation Resistance	≥500MΩ (500VDC)
	Dielectric Strength	Between open contacts≥1000VAC/1min
		Between poles≥1500VAC/1min
		Between contact and coil ≥1500VAC/1min
	Operate/Release Time	≤25ms/25ms
Terminal Type	Plug in/PCB	
Coil	Operating PowerDC/AC	1.2W/1.6VA

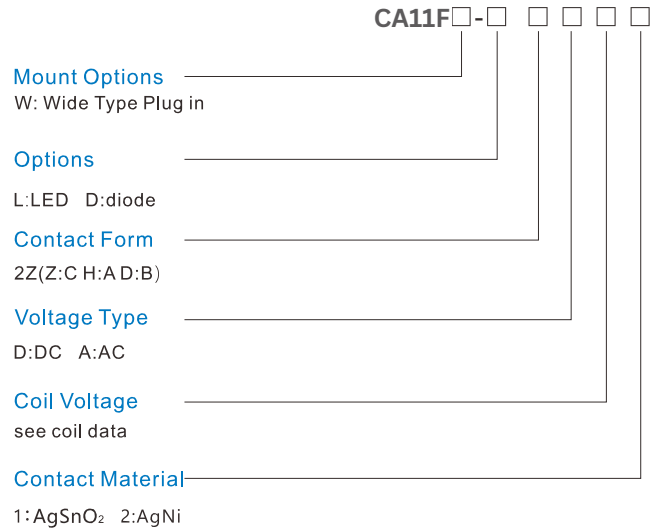
DC Coil Data

Rated Voltage VDC	Pickup Voltage VDC	Dropout Voltage VDC	Coil Resistance Ω±10%
6	4.8	0.6	30
12	9.6	1.2	120
24	19.2	2.4	480
48	38.4	4.8	1920
110	88.0	11.0	10080

Features

- ◆ small size
- ◆ high rated load 2Z 20A

Ordering Information



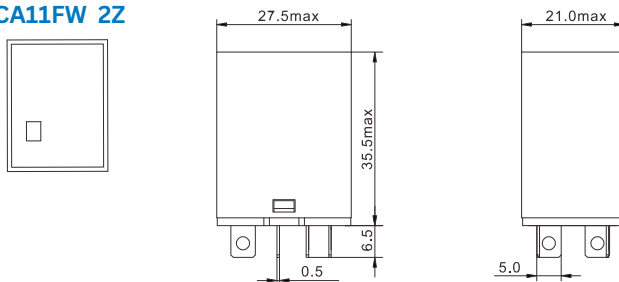
Notes: We have now gradually updated our ordering information. We suggest new type should be selected. If necessary, old type can be kept for some period for the old customers.

AC Coil Data

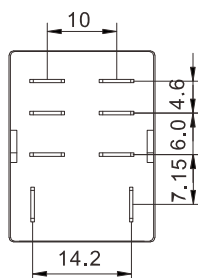
Rated Voltage VAC	Pickup Voltage VAC	Dropout Voltage VAC	Coil Resistance Ω±10%
12	9.6	3.6	31.5
24	19.2	7.2	126
48	38.4	14.4	504
110	88.0	36.0	2650
220	176.0	72.0	10600
240	176.0	72.0	12600

Dimensions (mm)

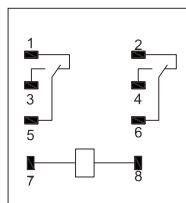
CA11FW 2Z



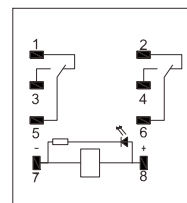
Wiring Diagrams



CA11FW 2Z



CA11FW-L 2Z



PTF □ □ A



Product Appearance



PTF □ □ A

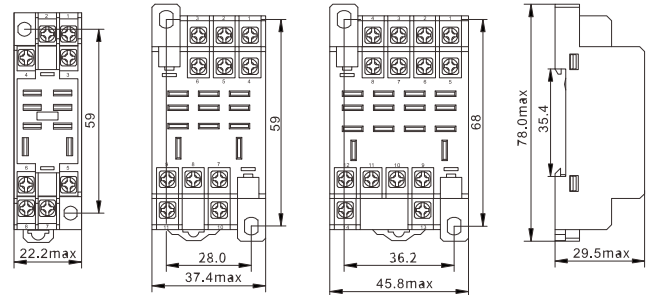
Specifications

Dielectric Strength	Current/Voltage	A/VAC	7/300
	Coil & Contacts	V/S	2000
	Between contacts	V/S	2000
Wire Size	AWG/mm2		20-16/0.5-1.5
Tightening Torque	Nm	0.7	

Matched Accessories

Socket	Clip	Module	DIN Rail
PTF08A	K-35S	/	
PTF11A			
PTF14A			

Dimensions (mm)

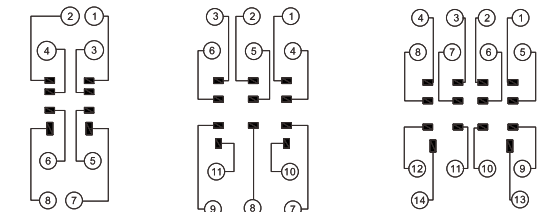


PTF08A

PTF11A

PTF14A

Connection Diagrams



NC: ② ①
NO: ④ ③
COM: ⑥ ⑤
A1 A2: ⑧ ⑦

PTF08A

NC: ③ ② ①
NO: ⑥ ⑤ ④
COM: ⑨ ⑧ ⑦
A1 A2: ⑪ ⑩

PTF11A

NC: ④ ③ ② ①
NO: ⑧ ⑦ ⑥ ⑤
COM: ⑫ ⑪ ⑩ ⑨
A1 A2: ⑭ ⑬

PTF14A

PTF □ □ A-E



Product Appearance



PTF □ □ A-E

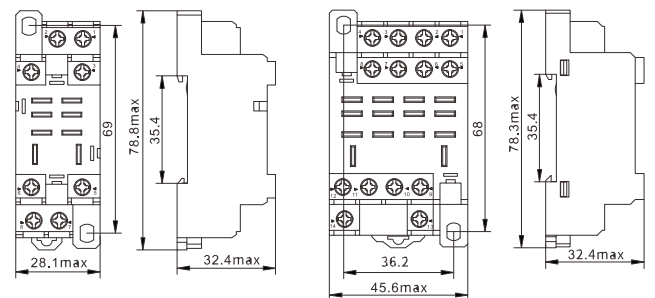
Specifications

Rated Load	Current/Voltage	A/VAC	7/300
Dielectric Strength	Coil & Contacts	V/S	2000
	Between contacts	V/S	2000
Wire Size	AWG/mm2		20-16/0.5-1.5
Tightening Torque	Nm	0.7	
Terminal Ingress Protection	IP20		

Matched Accessories

Socket	Clip	Module	DIN Rail
PTF08A-E	K-35S	/	
PTF11A-E			
PTF14A-E			

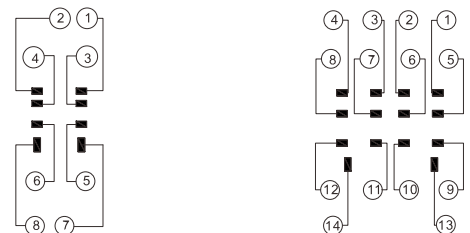
Dimensions (mm)



PTF08A-E

PTF14A-E

Connection Diagrams



NC: ② ①
NO: ④ ③
COM: ⑥ ⑤
A1 A2: ⑧ ⑦

PTF08A-E

NC: ④ ③ ② ①
NO: ⑧ ⑦ ⑥ ⑤
COM: ⑫ ⑪ ⑩ ⑨
A1 A2: ⑭ ⑬

PTF14A-E

PTP Series Sockets

PTP □ □



Product Appearance



PTP □ □
(PT-08A)

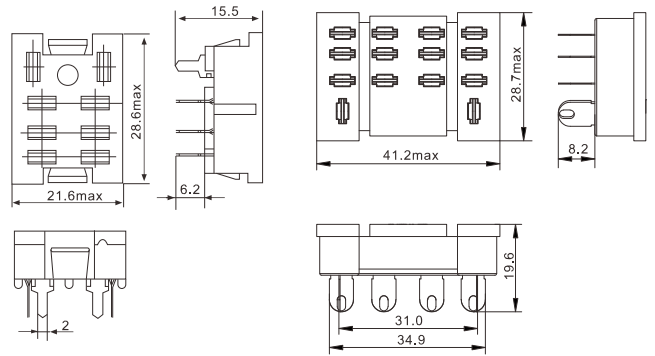
Specifications

Rated Load	Current/Voltage	A/VAC	10/300
Dielectric Strength	Coil & Contacts	V/S	2000
	Between contacts	V/S	2000
Wire Size		AWG/mm ²	/
Tightening Torque		Nm	/

Matched Accessories

Socket	Clip	Module	DIN Rail
PTP08	K-35T	/	
PTP14			

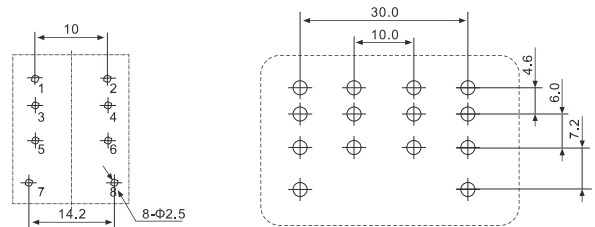
Dimensions (mm)



PTP08

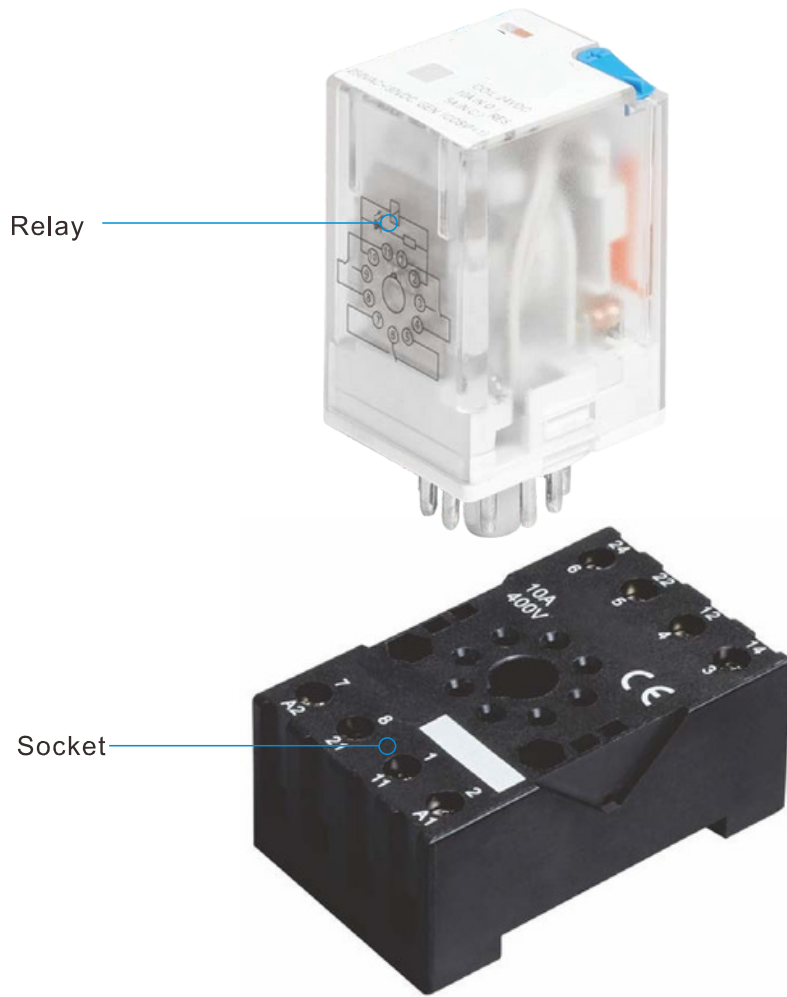
PTP14

Connection Diagrams



PTP08

PTP14

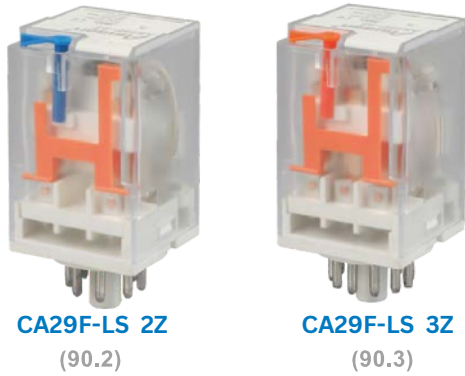


Sockets Selection Table

<h1>P</h1> Series							
	PPF□□A	PPF□□A-E	PPF□□A-E2	PPF□□A-E3	PPF□□-E	PPF□□-E2	US-□□A

Note: Other matched accessories please refer to the bottom page.

CA29F Industrial Relay



Specifications

	2Z	3Z
Contact Form	2Z	3Z
Contact	NO:10A 250VAC/30VDC	
	NC:5A 250VAC/30VDC	
	Electrical/Mechanical Life ≥100000times/1000000times	
Characteristics	Initial Contact Resistance ≤100MΩ (1A 6VDC)	
	Contact Material AgSnO ₂ AgNi	
	Insulation Resistance ≥500MΩ (500VDC)	
	Dielectric Strength	
	Between open contacts ≥1000VAC/1min	
	Between poles ≥1500VAC/1min	
Between contact and coil ≥1500VAC/1min		
Coil	Operate/Release Time ≤25ms/25ms	
	Terminal Type Plug in	
Coil	Operating Power DC/AC 1.6W/2.8VA	

DC Coil Data

Rated Voltage VDC	Pickup Voltage VDC	Dropout Voltage VDC	Coil Resistance Ω ±10%
6	4.8	0.6	22.5
12	9.6	1.2	90
24	19.2	2.4	360
48	38.4	4.8	1440
100	80.0	10.0	6250
110	88.0	11.0	7560

Features

- ◆ with LED indicator
- ◆ with lockable test button and inspection window
- ◆ rated Load 10A

Ordering Information

Mount Options

N/A: plug in

Options

L: LED D: diode
S: lockable button

Contact Form

2Z(Z:C H:A D:B)
3Z(Z:C H:A D:B)

Voltage Type

D: DC A: AC

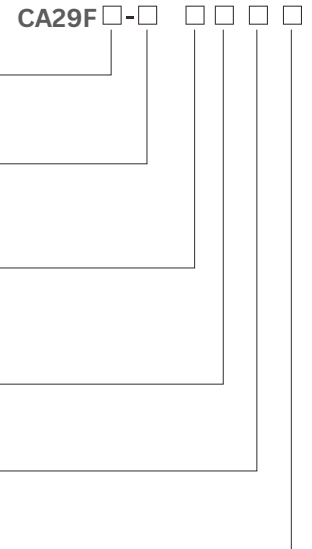
Coil Voltage

see coil data

Contact Material

1: AgSnO₂ 2: AgNi

Notes: We have now gradually updated our ordering information. We suggest new type should be selected. If necessary, old type can be kept for some period for the old customers.

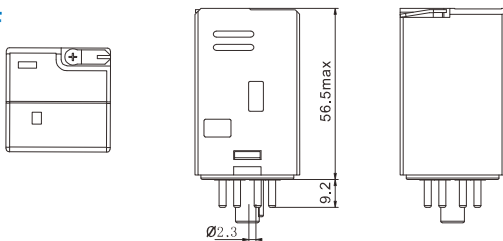


AC Coil Data

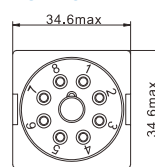
Rated Voltage VAC	Pickup Voltage VAC	Dropout Voltage VAC	Coil Resistance Ω ±10%
6	4.80	1.8	4.5
12	9.60	3.6	18
24	19.2	7.2	72
48	38.4	14.4	288
110/120	88.0	33.0	1650
220/240	176	66.0	6800

Dimensions (mm)

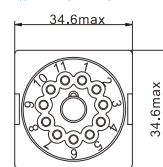
CA29F



CA29F 2Z

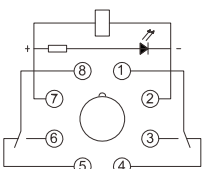


CA29F 3Z

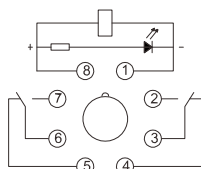


Wiring Diagrams

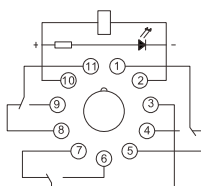
CA29F 2Z-1



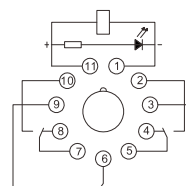
CA29F 2Z-2



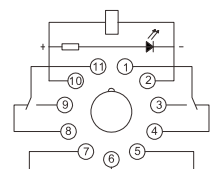
CA29F 3Z-1



CA29F 3Z-2



CA29F 3Z-3



CA29F1 Industrial Relay



CA29F1-LS 2Z
(90.2A)



CA29F1-LS 3Z
(90.3A)



Specifications

Contact	Contact Form	2Z	3Z
	Rated Load	NO:10A 250VAC/30VDC	
		NC:5A 250VAC/30VDC	
	Electrical/Mechanical Life	≥100000times/1000000times	
	Initial Contact Resistance	≤100MΩ (1A 6VDC)	
Characteristics	Contact Material	AgSnO ₂ AgNi	
	Insulation Resistance	≥500MΩ (500VDC)	
		Between open contacts≥1000VAC/1min	
		Between poles≥1500VAC/1min	
	Between contact and coil ≥1500VAC/1min		
Operate/Release Time	≤25ms/25ms		
Terminal Type	Plug in		
Coil	Operating PowerDC/AC	1.6W/2.8VA	

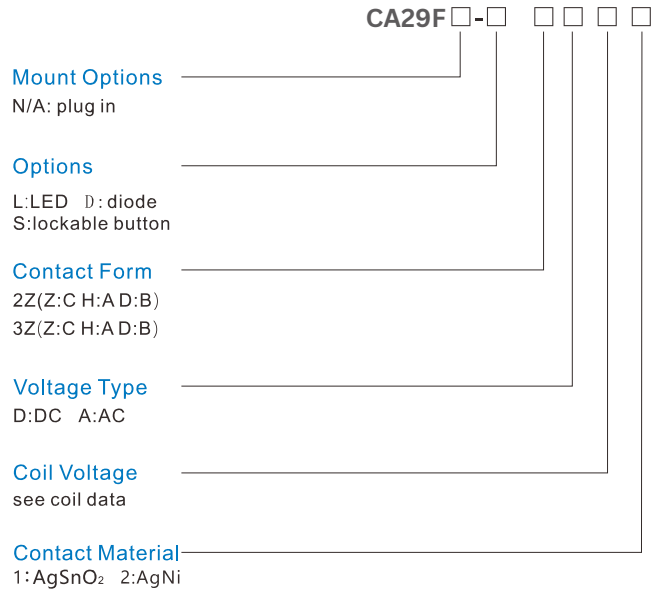
DC Coil Data

Rated Voltage VDC	Pickup Voltage VDC	Dropout Voltage VDC	Coil Resistance Ω±10%
6	4.8	0.6	22.5
12	9.6	1.2	90
24	19.2	2.4	360
48	38.4	4.8	1440
100	80.0	10.0	6250
110	88.0	11.0	7560

Features

- ◆ with LED indicator
- ◆ with lockable test button and inspection window
- ◆ rated Load 10A

Ordering Information



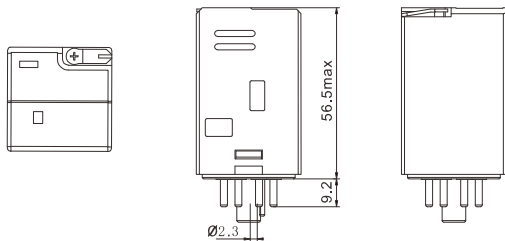
Notes:We has now gradually updated our ordering information. We suggest new type should be selected. If necessary, old type can be kept for some period for the old customers.

AC Coil Data

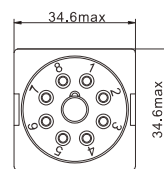
Rated Voltage VAC	Pickup Voltage VAC	Dropout Voltage VAC	Coil Resistance Ω±10%
6	4.80	1.8	4.5
12	9.60	3.6	18
24	19.2	7.2	72
48	38.4	14.4	288
110/120	88.0	33.0	1650
220/240	176	66.0	6800

Dimensions (mm)

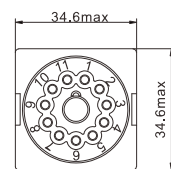
CA29F1



CA29F1 2Z

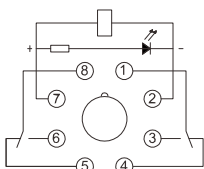


CA29F1 3Z

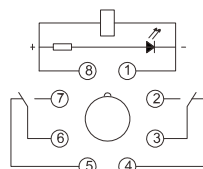


Wiring Diagrams

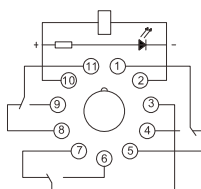
CA29F1 2Z-1



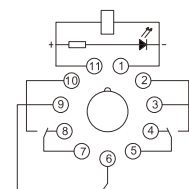
CA29F1 2Z-2



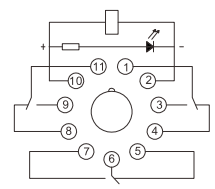
CA29F1 3Z-1



CA29F1 3Z-2



CA29F1 3Z-3



CA28F Industrial Relay



CA28F-LS 2Z
(80.2)



CA28F-LS 3Z
(80.3)



Specifications

	Contact Form	2Z	3Z
Contact	Rated Load	NO:10A 250VAC/30VDC NC:5A 250VAC/30VDC	
	Electrical/Mechanical Life	≥100000times/10000000times	
	Initial Contact Resistance	≤100MΩ (1A 6VDC)	
	Contact Material	AgSnO ₂ AgNi	
	Insulation Resistance	≥500MΩ (500VDC)	
Characteristics	Dielectric Strength	Between open contacts≥1000VAC/1min	
		Between poles≥1500VAC/1min	
		Between contact and coil ≥1500VAC/1min	
	Operate/Release Time	≤25ms/25ms	
	Terminal Type	Plug in	
Coil	Operating PowerDC/AC	1.5W/2.5VA	

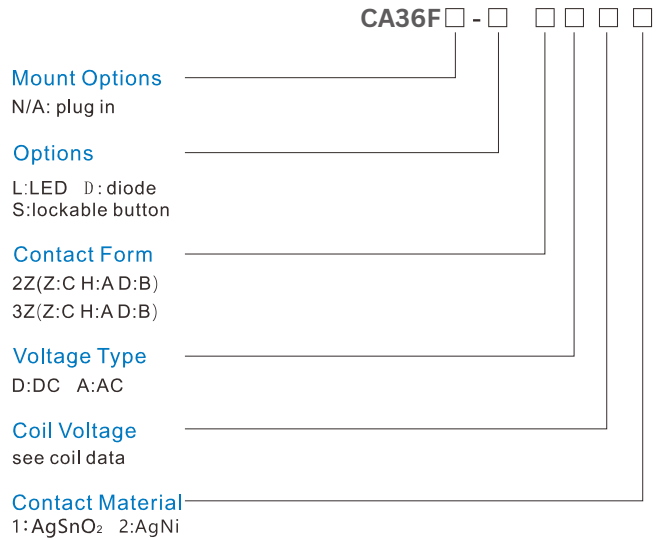
DC Coil Data

Rated Voltage VDC	Pickup Voltage VDC	Dropout Voltage VDC	Coil Resistance Ω±10%
6	4.8	0.6	22.5
12	9.6	1.2	90
24	19.2	2.4	360
48	38.4	4.8	1440
100	80.0	10.0	6250
110	88.0	11.0	7560

Features

- ◆ with LED indicator
- ◆ with lockable test button and inspection window
- ◆ rated load 10A

Ordering Information



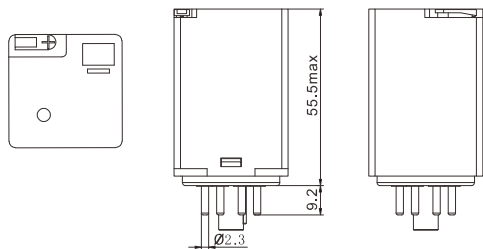
Notes: We have now gradually updated our ordering information. We suggest new type should be selected. If necessary, old type can be kept for some period for the old customers.

AC Coil Data

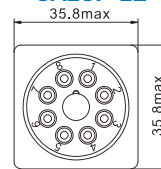
Rated Voltage VAC	Pickup Voltage VAC	Dropout Voltage VAC	Coil Resistance Ω±10%
6	4.8	1.8	4.6
12	9.6	3.6	20
24	19.2	7.2	80
48	38.4	14.4	320
110	88	33	1690
120	96	36	2016
220	176	66	6776
230	184	69	7406
240	192	72	8064

Dimensions (mm)

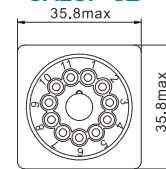
CA28F



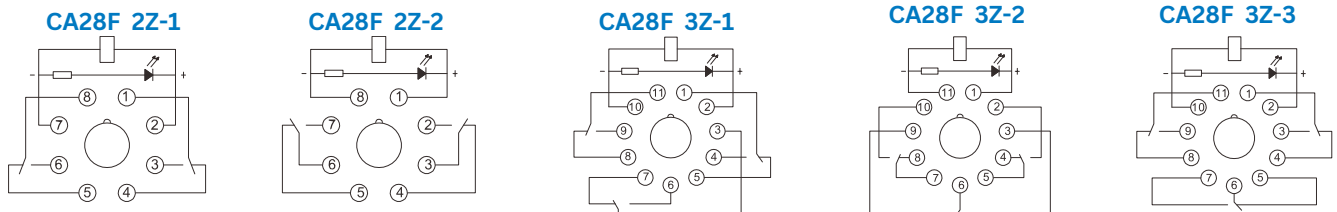
CA28F 2Z



CA28F 3Z



Wiring Diagrams



CA25F Industrial Relay



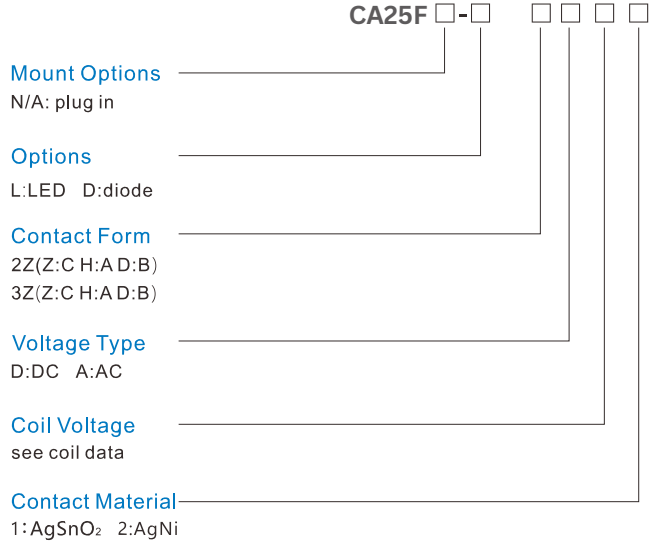
Specifications		2Z	3Z
Contact Form		2Z	3Z
Contact	Rated Load	NO:10A 250VAC/30VDC NC:5A 250VAC/30VDC	
	Electrical/Mechanical Life	≥100000times/1000000times	
	Initial Contact Resistance	≤100MΩ (1A 6VDC)	
	Contact Material	AgSnO ₂ AgNi	
	Insulation Resistance	≥500MΩ (500VDC)	
Characteristics	Dielectric Strength	Between open contacts≥1000VAC/1min	
		Between poles≥1500VAC/1min	
	Operate/Release Time	≤25ms/25ms	
	Terminal Type	Plug in	
Coil	Operating PowerDC/AC	1.6W/2.8VA	

DC Coil Data			
Rated Voltage VDC	Pickup Voltage VDC	Dropout Voltage VDC	Coil Resistance Ω±10%
6	4.8	0.6	22.5
12	9.6	1.2	90
24	19.2	2.4	360
48	38.4	4.8	1440
100	80.0	10.0	6250
110	88.0	11.0	7560

Features

- ◆ with inspection window
- ◆ rated load 10A

Ordering Information



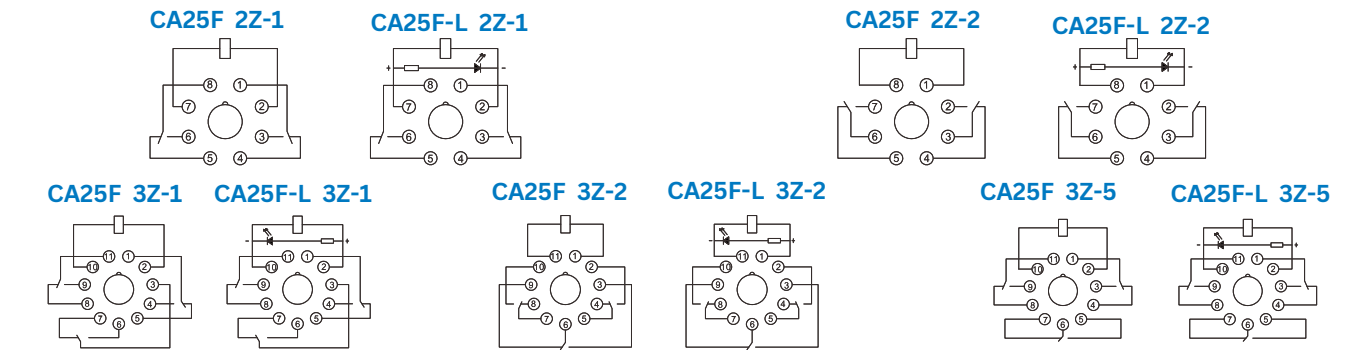
Notes: We have now gradually updated our ordering information. We suggest new type should be selected. If necessary, old type can be kept for some period for the old customers.

AC Coil Data			
Rated Voltage VAC	Pickup Voltage VAC	Dropout Voltage VAC	Coil Resistance Ω±10%
6	4.8	1.8	4.5
12	9.6	3.6	18
24	19.2	7.2	72
48	38.4	14.4	288
110/120	88.0	33.0	1650
220/240	176.0	66.0	6800

Dimensions (mm)



Wiring Diagrams



CA10F Industrial Relay



CA10F 2Z
(JQX-10F 2Z)

CA10F 3Z
(JQX-10F 3Z)



Specifications

	2Z	3Z	
Contact Form	2Z	3Z	
Contact	Rated Load	NO:10A 250VAC/30VDC NC:5A 250VAC/30VDC	
	Electrical/Mechanical Life	≥100000times/1000000times	
	Initial Contact Resistance	≤100MΩ (1A 6VDC)	
Characteristics	Contact Material	AgSnO ₂ AgNi	
	Insulation Resistance	≥500MΩ (500VDC)	
	Dielectric Strength	Between open contacts	≥1000VAC/1min
		Between poles	≥1500VAC/1min
		Between contact and coil	≥1500VAC/1min
Operate/Release Time	≤25ms/25ms		
Terminal Type	Plug in		
Coil	Operating PowerDC/AC 1.6W/2.8VA		

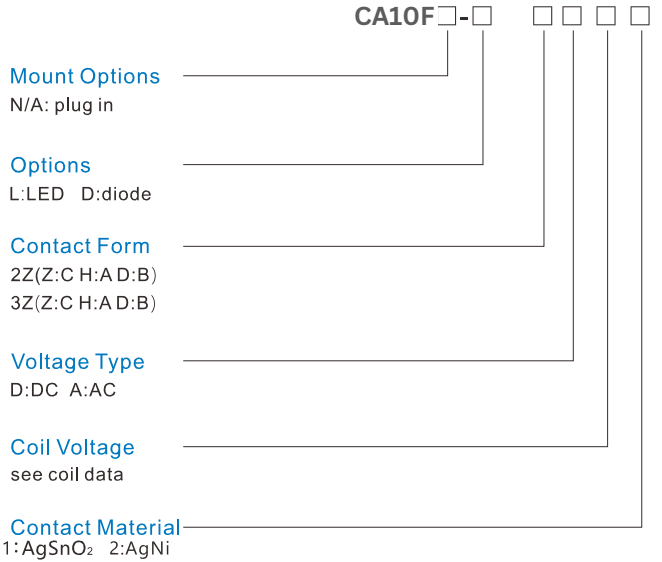
DC Coil Data

Rated Voltage VDC	Pickup Voltage VDC	Dropout Voltage VDC	Coil Resistance Ω±10%
6	4.8	0.6	22.5
12	9.6	1.2	90
24	19.2	2.4	360
48	38.4	4.8	1440
100	80.0	10.0	6250
110	88.0	11.0	7560

Features

- ♦ rated load 10A

Ordering Information



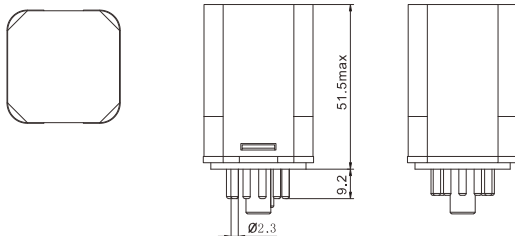
Notes: We have now gradually updated our ordering information. We suggest new type should be selected. If necessary, old type can be kept for some period for the old customers.

AC Coil Data

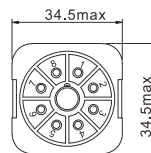
Rated Voltage VAC	Pickup Voltage VAC	Dropout Voltage VAC	Coil Resistance Ω±10%
6	4.8	1.8	4.5
12	9.6	3.6	18
24	19.2	7.2	72
48	38.4	14.4	288
110/120	88.0	33.0	1650
220/240	176.0	66.0	6800

Dimensions (mm)

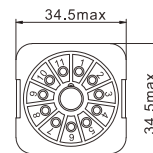
CA10F



CA10F 2Z

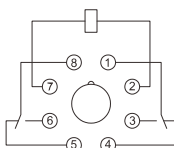


CA10F 3Z

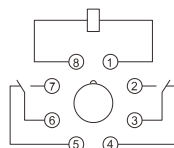


Wiring Diagrams

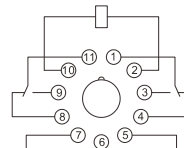
CA10F 2Z-1



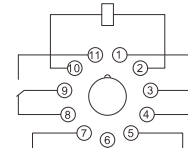
CA10F 2Z-2



CA10F 3Z-1



CA10F 3Z-2



PPF □ □ A

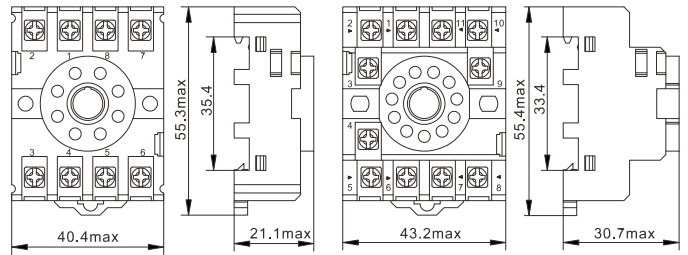


Product Appearance



PPF □ □ A
(PF113A)

Dimensions (mm)



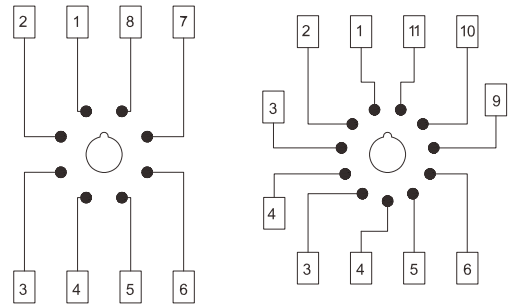
PPF08A

PPF11A

Specifications

Rated Load	Current/Voltage	A/VAC	10/300
Dielectric Strength	Coil & Contacts	V/S	2000
	Between contacts	V/S	2000
Wire Size	AWG/mm ²	20-16/0.5-2.5	
Tightening Torque	Nm	0.8	

Connection Diagrams



PPF08A

PPF11A

Matched Accessories

Socket	Clip	Module	DIN Rail
PPF08A	K-53	/	
PPF11A			

PPF □ □ A-E

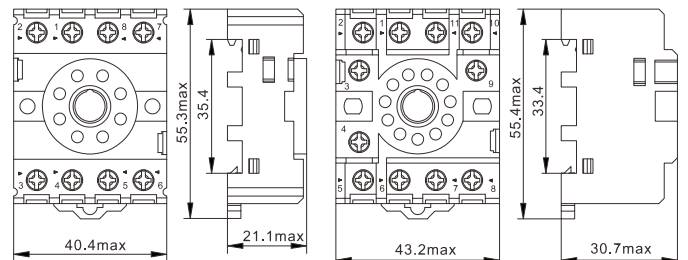


Product Appearance



PPF □ □ A-E
(PF113A-E)

Dimensions (mm)



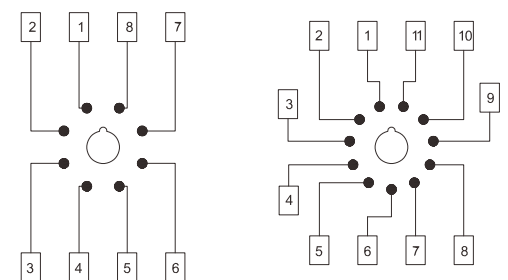
PPF08A-E

PPF11A-E

Specifications

Rated Load	Current/Voltage	A/VAC	10/300
Dielectric Strength	Coil & Contacts	V/S	2000
	Between contacts	V/S	2000
Wire Size	AWG/mm ²	20-16/0.5-1.5	
Tightening Torque	Nm	0.8	
Terminal Ingress Protection	IP20		

Connection Diagrams



PPF08A-E

PPF11A-E

Matched Accessories

Socket	Clip	Module	DIN Rail
PPF08A-E	K-53	/	
PPF11A-E			

PPF□□A-E2

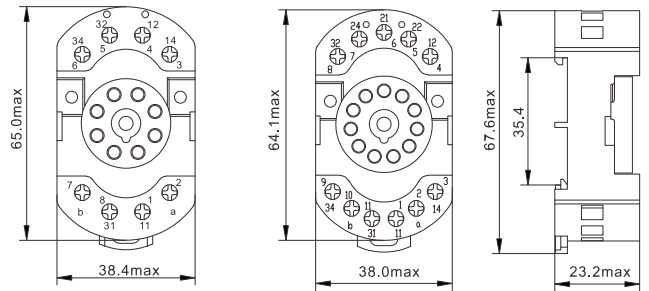


Product Appearance



PPF□□A-E2
(90.23)

Dimensions (mm)



PPF08A-E2

PPF11A-E2

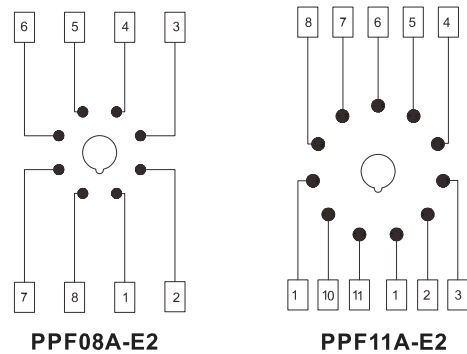
Specifications

Rated Load	Current/Voltage	A/VAC	10/300
Dielectric Strength	Coil & Contacts	V/S	4000
	Between contacts	V/S	2500
Wire Size	AWG/mm ²	20-14/0.5-2.5	
Tightening Torque	Nm	0.8	
Terminal Ingress Protection	IP20		

Matched Accessories

Socket	Clip	Module	DIN Rail
PPF08A-E2	K-53	/	
PPF11A-E2			

Connection Diagrams



PPF08A-E2

PPF11A-E2

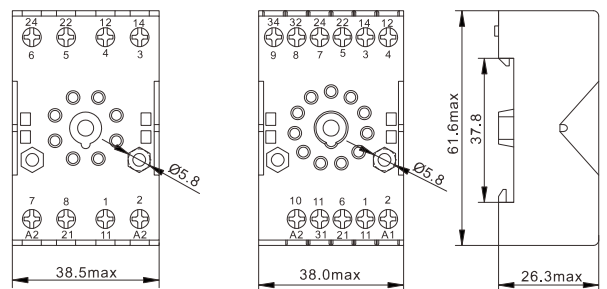
PPF□□A-E3

Product Appearance



PPF□□A-E3
(AS770)

Dimensions (mm)



PPF08A-E3

PPF11A-E3

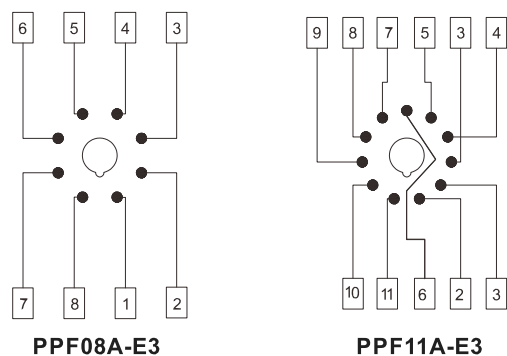
Specifications

Rated Load	Current/Voltage	A/VAC	10/300
Dielectric Strength	Coil & Contacts	V/S	2000
	Between contacts	V/S	2000
Wire Size	AWG/mm ²	20-14/0.5-2.5	
Tightening Torque	Nm	0.8	
Terminal Ingress Protection	IP20		

Matched Accessories

Socket	Clip	Module	DIN Rail
PPF08A-E3	K-53	/	
PPF11A-E3			

Connection Diagrams



PPF08A-E3

PPF11A-E3

PPF□□-E

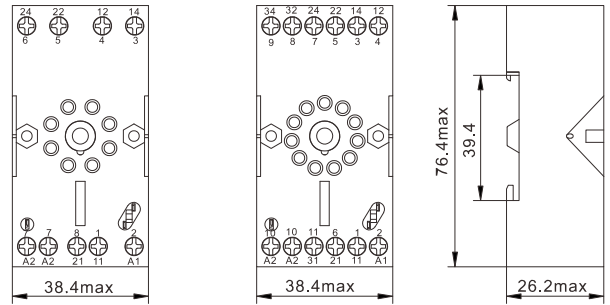


Product Appearance



PPF□□-E
(MT740)

Dimensions (mm)



PPF08-E

PPF11-E

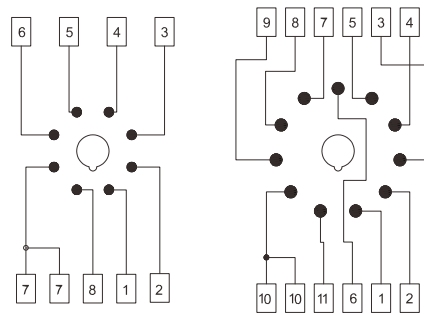
Specifications

Rated Load	Current/Voltage	A/VAC	10/300
Dielectric Strength	Coil & Contacts	V/S	2000
	Between contacts	V/S	2000
Wire Size	AWG/mm ²	20-14/0.5-2.5	
Tightening Torque	Nm	0.8	
Terminal Ingress Protection	IP20		

Matched Accessories

Socket	Clip	Module	DIN Rail
PPF08-E	K-53	AMD series	
PPF11-E			

Connection Diagrams



PPF08-E

PPF11-E

PPF□□-E2

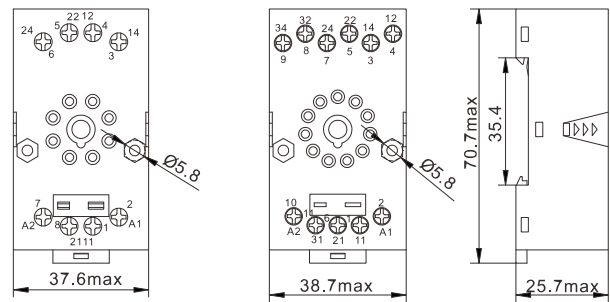


Product Appearance



PPF□□-E2
(90.21)

Dimensions (mm)



PPF08-E2

PPF11-E2

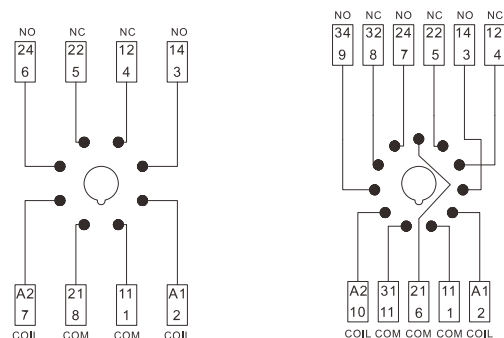
Specifications

Rated Load	Current/Voltage	A/VAC	10/300
Dielectric Strength	Coil & Contacts	V/S	2000
	Between contacts	V/S	2000
Wire Size	AWG/mm ²	20-14/0.5-2.5	
Tightening Torque	Nm	0.8	
Terminal Ingress Protection	IP20		

Matched Accessories

Socket	Clip	Module	DIN Rail
PPF08-E2	K-53	AMC series	
PPF11-E2			

Connection Diagrams



PPF08-E2

PPF11-E2

US-□□A



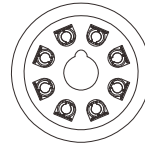
Product Appearance



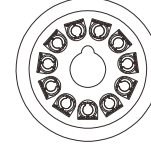
US-08A

US-11A

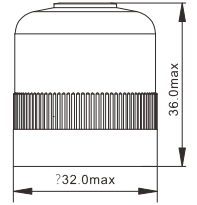
Dimensions (mm)



US-08A



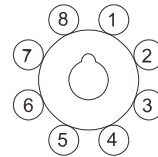
US-11A



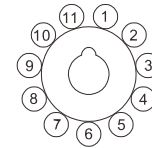
Specifications

Rated Load	Current/Voltage	A/VAC	10/300
Dielectric Strength	Coil & Contacts	V/S	2000
	Between contacts	V/S	2000
Wire Size	AWG/mm ²		
Tightening Torque	Nm		

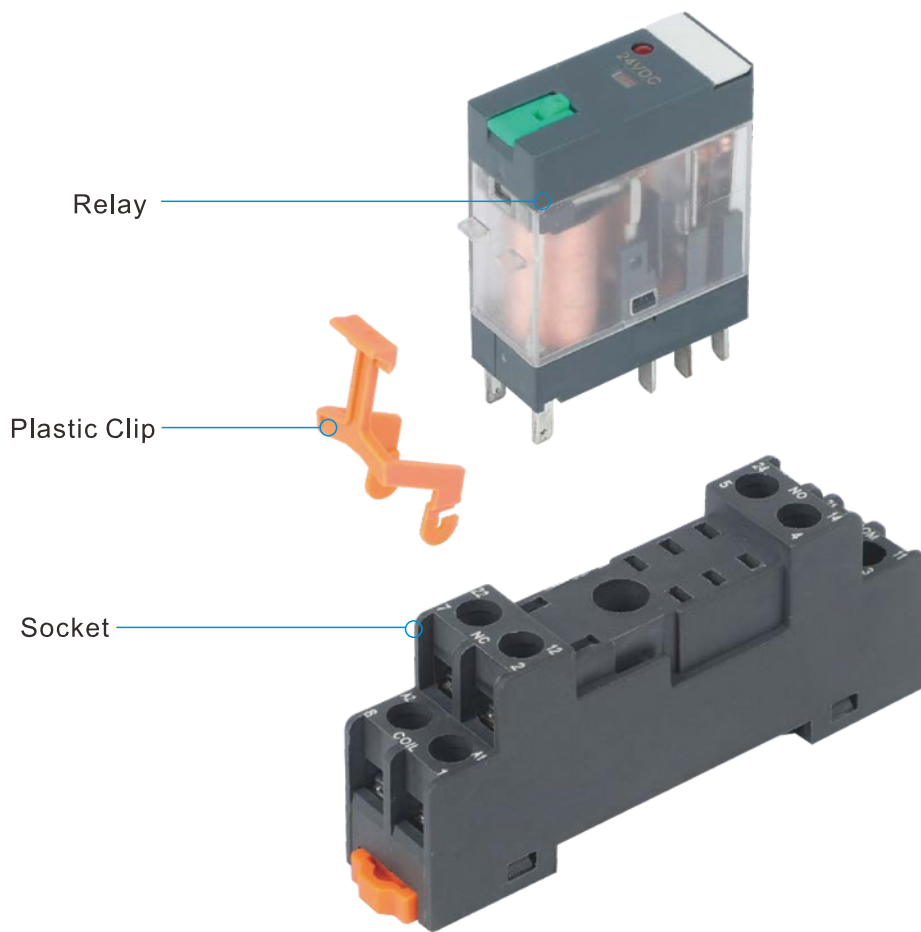
Connection Diagrams






US-08A



US-11A



Sockets Selection Table

<h1>R</h1> Series			
	PRF□□A	PRF□□A-E	PRP□□

Note: Other matched accessories please refer to the bottom page.



CA14F 1Z

CA14F 2Z

Features

- ◆ good control response
- ◆ slim size
- ◆ high rated Load 1Z 12A; 2Z 8A

Ordering Information

Mount Options

N/A: plug in

Options

L:LED D:diode

Contact Form

1Z(Z:C H:A D:B)

2Z(Z:C H:A D:B)

Voltage Type

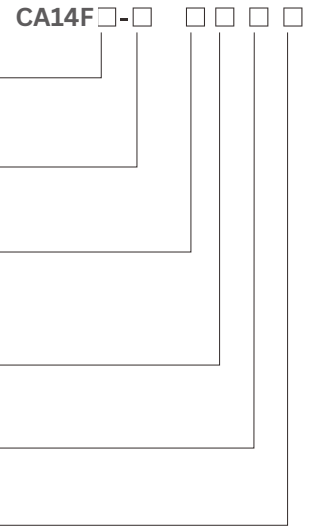
D:DC A:AC

Coil Voltage

see coil data

Contact Material

1:AgSnO₂ 2:AgNi



Specifications

Contact	Contact Form	1Z	2Z
	Rated Load	12A 250VAC/30VDC	8A 250VAC/30VDC
	Electrical/Mechanical Life	≥100000times/10000000times	
	Initial Contact Resistance	≤100mΩ (1A 6VDC)	
	Contact Material	AgSnO ₂ AgNi	
Characteristics	Insulation Resistance	≤500MΩ (500VDC)	
	Dielectric Strength	Between open contacts≥1000VAC/1min	
		Between poles≥1500VAC/1min	
		Between contact and coil≥4000VAC/1min	
Operate/Release Time	≤15ms/15ms		
Terminal Type	Plug in		
Coil	Operating PowerDC/AC	0.53W/0.9VA	

DC Coil Data

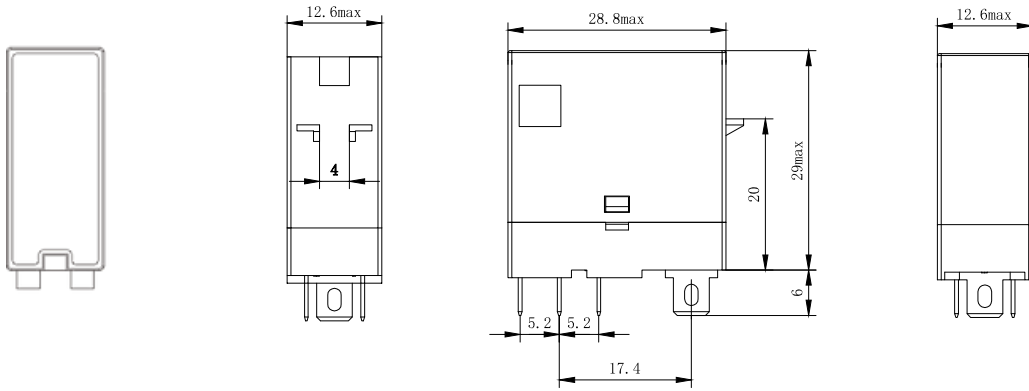
Rated Voltage VDC	Pickup Voltage VDC	Dropout Voltage VDC	Coil Resistance Ω±10%
3	2.25	0.3	17
5	3.75	0.5	47
6	4.5	0.6	68
9	6.75	0.9	150
12	9.0	1.2	270
18	13.5	1.8	610
24	18.0	2.4	1100
48	36.0	4.8	4220
110	82.5	11	22800

AC Coil Data

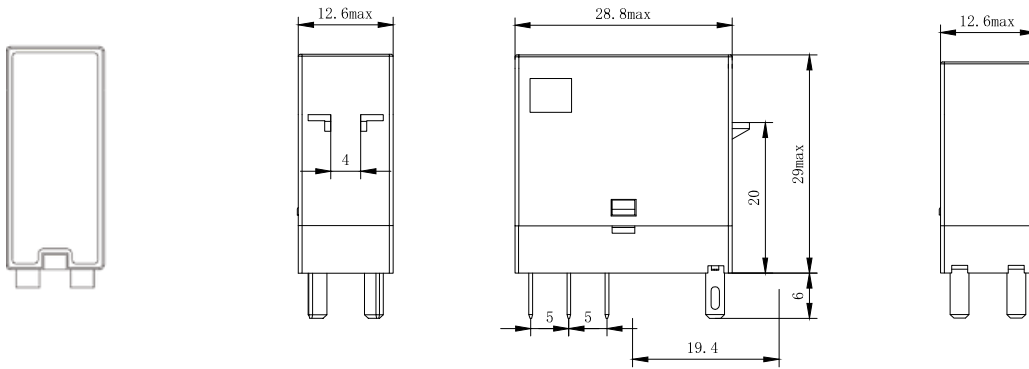
Rated Voltage VAC	Pickup Voltage VAC	Dropout Voltage VAC	Coil Resistance Ω±10%
6	4.8	1.8	16
12	9.6	3.6	65
24	19.2	4.2	240
48	38.4	14.4	1080
115	88	33.0	6300
230	184	69.0	23000

Dimensions (mm)

CA14F 1Z

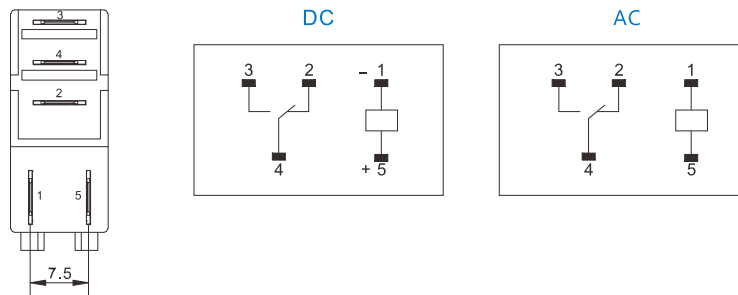


CA14F 2Z

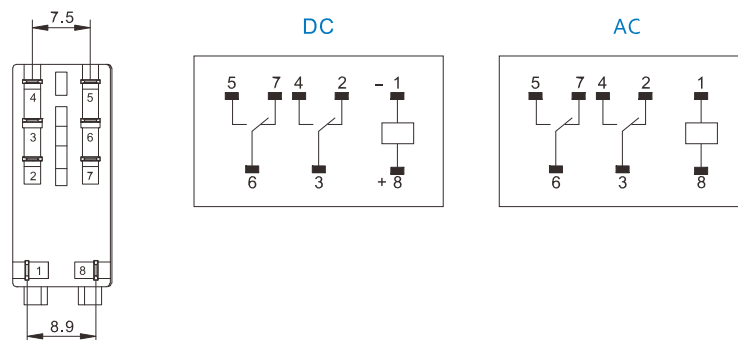


Wiring Diagrams

CA14F 1Z



CA14F 2Z





CA14F-LS 1Z

CA14F-LS 2Z

Features

- ◆ good control response
- ◆ slim size
- ◆ with LED indicator,
- ◆ with lockable test button and inspection window
- ◆ Rated Load: 1Z 12A, 2Z 8A

Ordering Information

Mount Options

N/A: plug in

Options

L: LED D: diode
S: lockable button

Contact Form

1Z(Z:C H:A D:B)
2Z(Z:C H:A D:B)

Voltage Type

D: DC A: AC

Coil Voltage

see coil data

Contact Material

1: AgSnO₂ 2: AgNi

CA14F □ - □ □ □ □ □



Specifications

		1Z	2Z
Contact	Contact Form	1Z	2Z
	Rated Load	12A 250VAC/30VDC	8A 250VAC/30VDC
	Electrical/Mechanical Life	≥100000times/1000000times	
	Initial Contact Resistance	≤100mΩ (1A 6VDC)	
	Contact Material	AgSnO ₂ AgNi	
Characteristics	Insulation Resistance	≥500MΩ (500VDC)	
	Dielectric Strength	Between open contacts ≥1000VAC/1min	
		Between poles ≥1500VAC/1min	
		Between contact and coil ≥4000VAC/1min	
	Operate/Release Time	≤15ms/15ms	
Terminal Type			
Coil	Operating Power DC/AC	0.53W/0.9VA	

DC Coil Data

Rated Voltage VDC	Pickup Voltage VDC	Dropout Voltage VDC	Coil Resistance Ω ±10%
3	2.25	0.3	17
5	3.75	0.5	47
6	4.5	0.6	68
9	6.75	0.9	150
12	9.0	1.2	270
18	13.5	1.8	610
24	18.0	2.4	1100
48	36.0	4.8	4220
110	82.5	11	22800

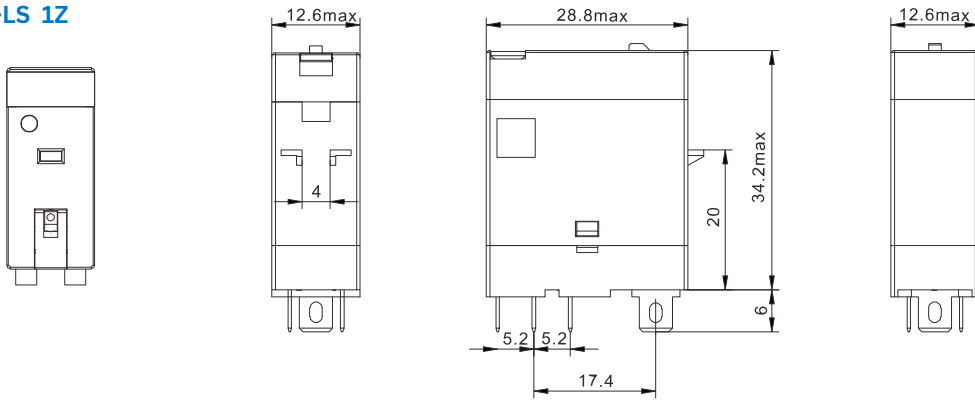
AC Coil Data

Rated Voltage VAC	Pickup Voltage VAC	Dropout Voltage VAC	Coil Resistance Ω ±10%
6	4.8	1.8	16
12	9.6	3.6	65
24	19.2	4.2	240
48	38.4	14.4	1080
115	88	33.0	6300
230	184	69.0	23000

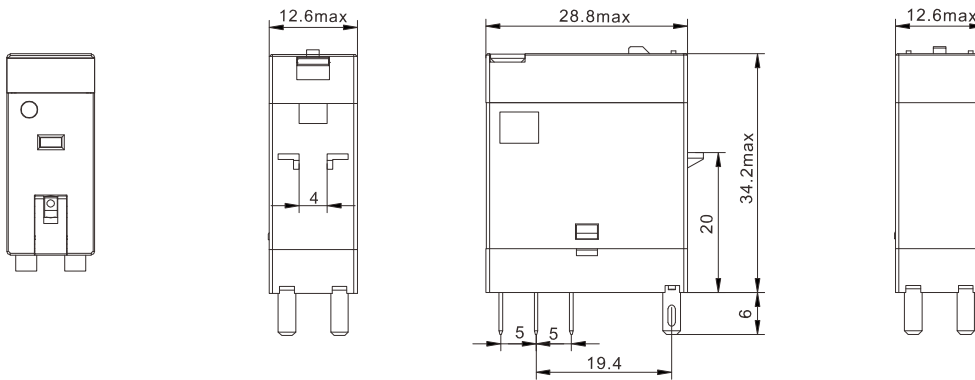
CA14F-LS Interface Relay

Dimensions (mm)

CA14F-LS 1Z

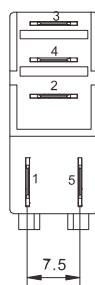


CA14F-LS 2Z

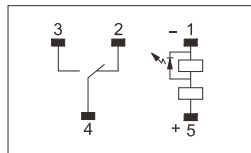


Wiring Diagrams

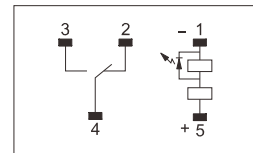
CA14F-LS 1Z



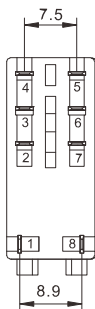
DC



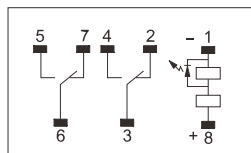
DC



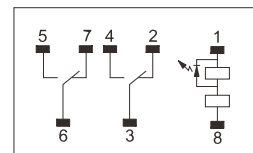
CA14F-LS 2Z



AC



AC



PRF Series Sockets

PRF□□A

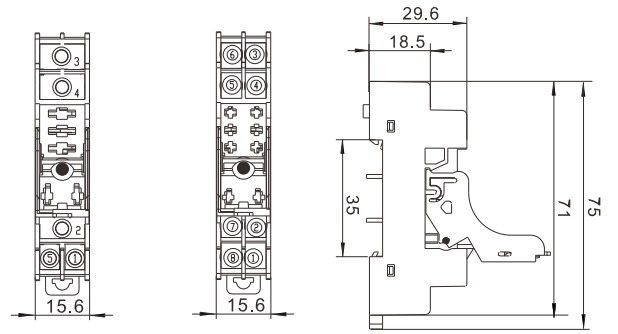


Product Appearance



PRF□□A

Dimensions (mm)



PRF05A

PRF08A

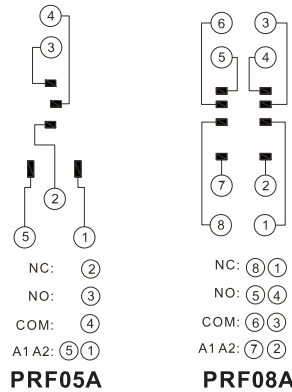
Specifications

Rated Load	Current/Voltage	A/VAC	16/300	10/300
Dielectric Strength	Coil & Contacts	V/S	4000	
	Between contacts	V/S	2500	
Wire Size		AWG/mm2	20-14/0.5-2.5	
Tightening Torque		Nm	0.8	

Matched Accessories

Socket	Clip	Module	DIN Rail
PRF05A	K-25S (Pre-configured)	/	
PRF08A			

Connection Diagrams



PRF□□A-E

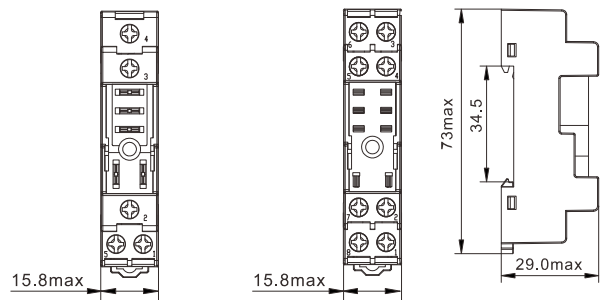


Product Appearance



PRF□□A-E

Dimensions (mm)



PRF05A-E

PRF08A-E

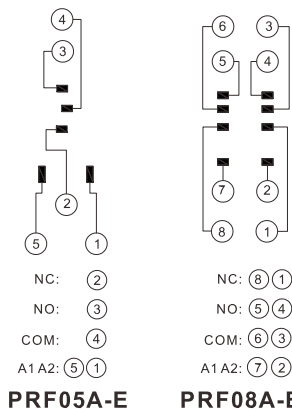
Specifications

Rated Load	Current/Voltage	A/VAC	16/300	10/300
Dielectric Strength	Coil & Contacts	V/S	4000	
	Between contacts	V/S	2500	
Wire Size		AWG/mm2	20-14/0.5-2.5	
Tightening Torque		Nm	0.8	
Terminal Ingress Protection			IP20	

Matched Accessories

Socket	Clip	Module	DIN Rail
PRF05A-E	B-25S (Pre-configured)	/	
PRF08A-E			

Connection Diagrams



PRP□□

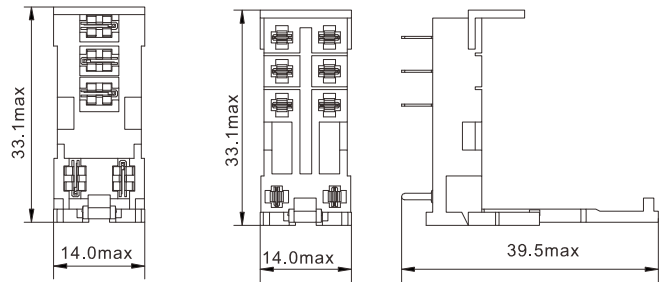


Product Appearance



PRP□□

Dimensions (mm)



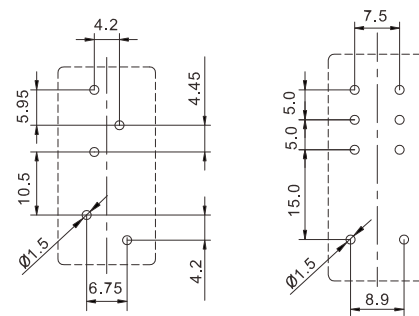
PRP05

PRP08

Specifications

Rated Load	Current/Voltage	A/VAC	16/300	10/300
Dielectric Strength	Coil & Contacts	V/S	2000	
	Between contacts	V/S	2000	
Wire Size		AWG/mm ²	/	
Tightening Torque		Nm	/	

Connection Diagrams



PRP05

PRP08



CA41F



Specifications

Contact	Contact Form	1H, 1Z
	Rated Load	6A 250VAC/30VDC
	Electrical/Mechanical Life	≥100000times/1000000times
	Initial Contact Resistance	≤100mΩ (1A 6VDC)
	Contact Material	AgSnO ₂ AgNi
Characteristics	Insulation Resistance	≥1000MΩ (500VDC)
	Dielectric Strength	Between open contacts≥1000VAC/1min
		Between contact and coil≥4000VAC/1min
	Operate/Release Time	≤8ms/8ms
	Terminal Type	Plug in/PCB
Coil	Operating PowerDC	0.17W(48?60VDC 0.21W)

Features

- ◆ 5mm thickness
- ◆ rated load 6A
- ◆ surge voltage up to 4KV

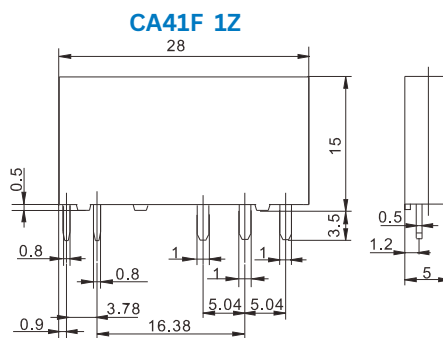
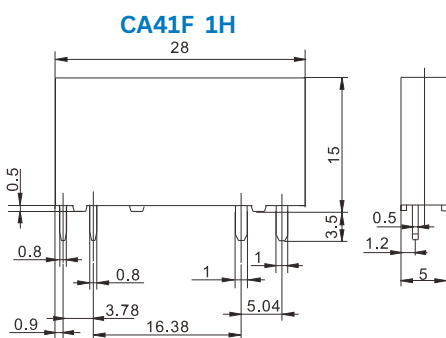
Ordering Information

CA41F	□	□	□	□
Construction	S: plastic sealed N/A : flux-proofed			
Contact Form	1Z(Z:C H:A)			
Voltage Type	D:DC			
Coil Voltage	see coil data			
Contact Material	1:AgSnO ₂ 2:AgNi			

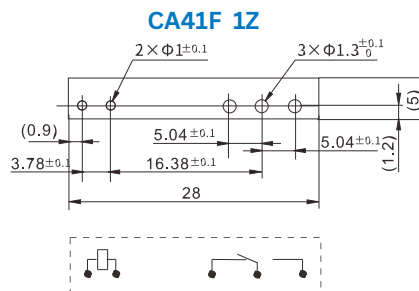
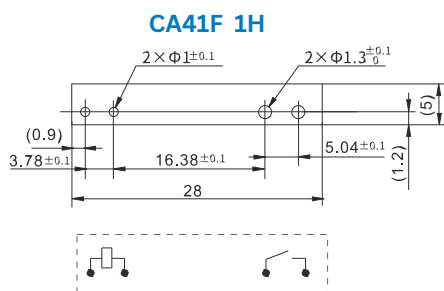
DC Coil Data

Rated Voltage VDC	Pickup Voltage VDC	Dropout Voltage VDC	Coil Resistance Ω±10%
5	3.75	0.25	147
6	4.5	0.3	212
9	6.75	0.45	476
12	9.0	0.6	848
18	13.5	0.9	1906
24	18.0	1.2	3390
48	36.0	2.4	10600
60	45.0	3.0	16600

Dimensions (mm)



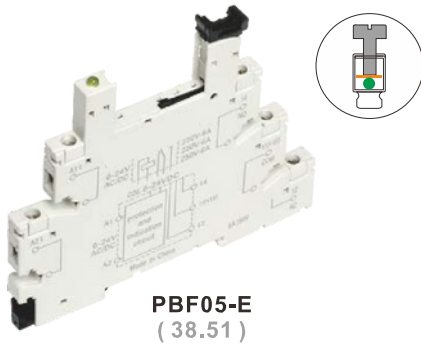
Wiring Diagrams



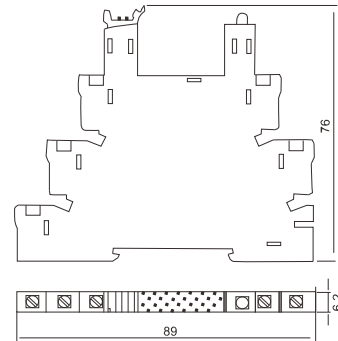
➔ PBF05-E



Product Appearance



Dimensions (mm)



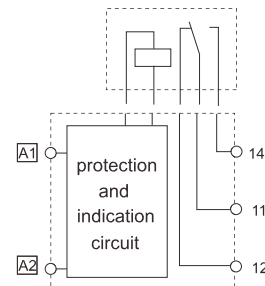
Specifications

Rated Load	Current/Voltage	A/VAC	6/300
Dielectric Strength	Coil & Contacts	V/S	4000
	Between contacts	V/S	2000
Wire Size	AWG/mm ²		20-16/0.5-1.5
Tightening Torque	Nm		0.5
Terminal Ingress Protection			IP20

Matched Accessories

Socket	A1.A2 Input Voltage	Relay Coil Voltage	DIN Rail
PBF05-E 6-24V	6-24VAC/DC	6-24VDC	
PBF05-E 48-60V	48-60VAC/DC	48-60VDC	
PBF05-E 110V	110VAC/DC	48VDC	
PBF05-E 230V	230VAC/DC	60VDC	

Connection Diagrams



CA20F 2-in-1 Industrial Relay



CA20F 2Z

CA20F 3Z



Specifications

	Contact Form	2Z	3Z
Contact	Rated Load	10A 250VAC/30VDC	
	Electrical/Mechanical Life	≥100000times/1000000times	
	Initial Contact Resistance	≤100MΩ (1A 6VDC)	
	Contact Material	AgSnO ₂ AgNi	
	Insulation Resistance	≥500MΩ (500VDC)	
Characteristics	Dielectric Strength	Between open contacts≥1000VAC/1min	
		Between poles≥1500VAC/1min	
		Between contact and coil ≥1500VAC/1min	
	Operate/Release Time	≤25ms/25ms	
	Terminal Type	Quick screw connection	
Coil	Operating PowerDC/AC	1.6W/2.8VA	

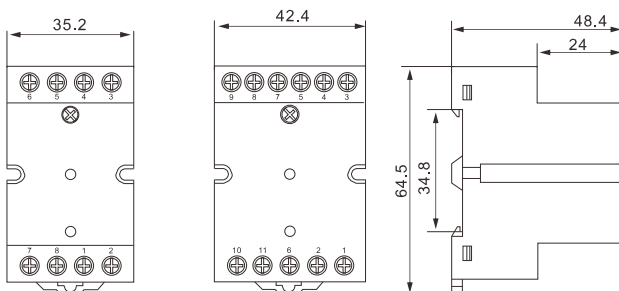
DC Coil Data

Rated Voltage VDC	Pickup Voltage VDC	Dropout Voltage VDC	Coil Resistance Ω±10%
6	4.8	0.6	22.5
12	9.6	1.2	90
24	19.2	2.4	360
48	38.4	4.8	1440
100	80.0	10.0	6250
110	88.0	11.0	7560

Dimensions (mm)

CA20F 2Z

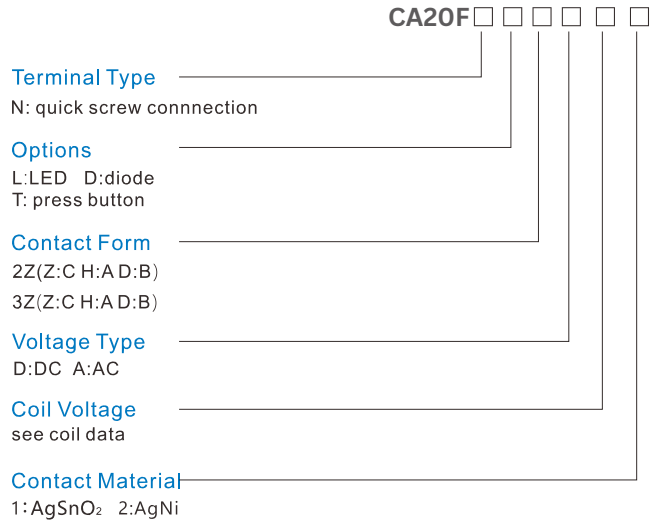
CA20F 3Z



Features

- ◆ relay and socket 2-in-1, small size , replace 13F relay
- ◆ Din-Rail installation, quick screw connection
- ◆ with press test button and LED indicator
- ◆ terminal connection as socket

Ordering Information

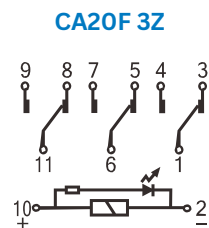
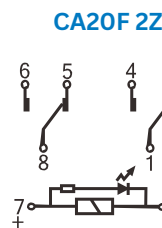


Din-Rail Mount

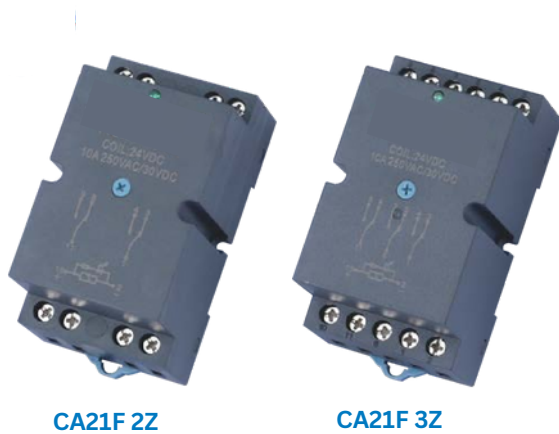
AC Coil Data

Rated Voltage VAC	Pickup Voltage VAC	Dropout Voltage VAC	Coil Resistance Ω±10%
6	4.80	1.8	4.5
12	9.60	3.6	18
24	19.2	7.2	72
48	38.4	14.4	288
110/120	88.0	33.0	1650
220/240	176	66.0	6800

Wiring Diagrams



CA21F 2-in-1 Industrial Relay



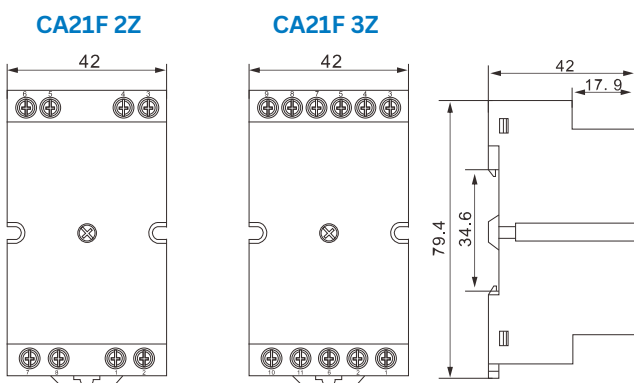
Specifications

	2Z	3Z
Contact Form	2Z	3Z
Rated Load	10A 250VAC/30VDC	
Electrical/Mechanical Life	≥100000times/10000000times	
Initial Contact Resistance	≤100MΩ (1A 6VDC)	
Contact Material	AgSnO ₂ AgNi	
Insulation Resistance	≥500MΩ (500VDC)	
Characteristics	Between open contacts ≥1000VAC/1min	
	Between poles ≥1500VAC/1min	
	Between contact and coil ≥1500VAC/1min	
Operate/Release Time	≤25ms/25ms	
Terminal Type	Quick screw connection	
Coil	Operating Power DC/AC 1.6W/2.8VA	

DC Coil Data

Rated Voltage VDC	Pickup Voltage VDC	Dropout Voltage VDC	Coil Resistance Ω±10%
6	4.8	0.6	22.5
12	9.6	1.2	90
24	19.2	2.4	360
48	38.4	4.8	1440
100	80.0	10.0	6250
110	88.0	11.0	7560

Dimensions (mm)



Features

- ◆ relay and socket 2-in-1, small size , replace MK relay
- ◆ Din-Rail installation, quick screw connection
- ◆ with press test button and LED indicator
- ◆ terminal connection as socket

Ordering Information

Terminal Type

N: quick screw connection

Options

L:LED D:diode
T:press button

Contact Form

2Z(Z:C H:A D:B)
3Z(Z:C H:A D:B)

Voltage Type

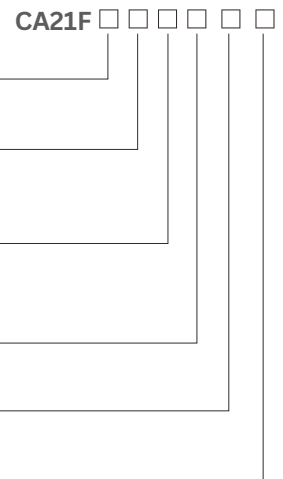
D:DC A:AC

Coil Voltage

see coil data

Contact Material

1:AgSnO₂ 2:AgNi

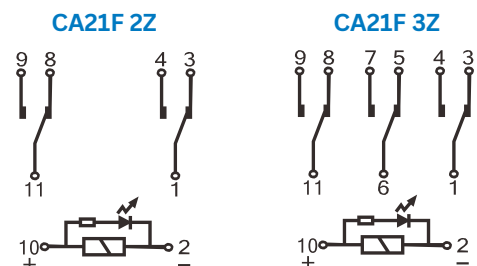


Din-Rail Mount

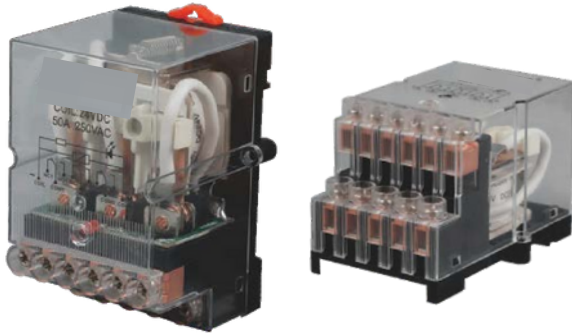
AC Coil Data

Rated Voltage VAC	Pickup Voltage VAC	Dropout Voltage VAC	Coil Resistance Ω±10%
6	4.8	1.8	4.5
12	9.6	3.6	18
24	19.2	7.2	72
48	38.4	14.4	288
110/120	88.0	33.0	1650
220/240	176.0	66.0	6800

Wiring Diagrams



CA38FN Quick Screw Connection Power Relay



CA38F 3Z
(JQX-38FN-3Z 50A)



Specifications

Contact	Contact Form	2Z	3Z
	Rated Load	50A 250VAC/30VDC	
	Electrical/Mechanical Life	≥100000times/1000000times	
	Initial Contact Resistance	≤100MΩ (1A 6VDC)	
	Contact Material	AgSnO ₂	
Characteristics	Insulation Resistance	≥500MΩ (500VDC)	
	Dielectric Strength	Between open contacts ≥1000VAC/1min	
		Between poles ≥1500VAC/1min	
		Between contact and coil ≥1500VAC/1min	
	Operate/Release Time	≤25ms/15ms	
Terminal Type	Quick screw connection		
Coil	Operating PowerDC/AC	2.5W/5VA	

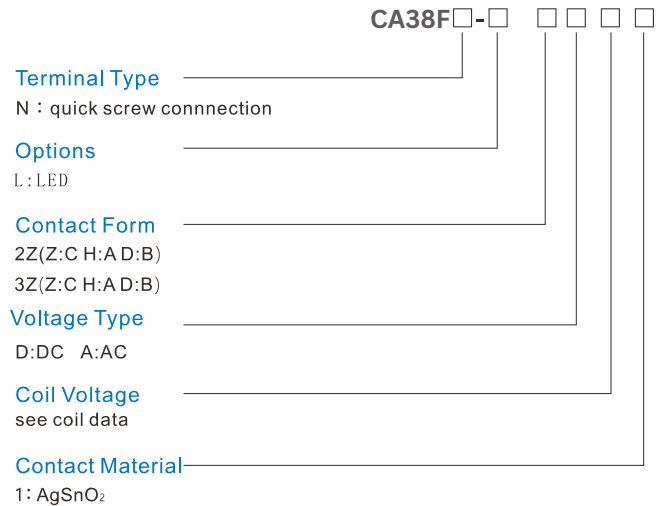
DC Coil Data

Rated Voltage VDC	Pickup Voltage VDC	Dropout Voltage VDC	Coil Resistance Ω±10%
6	4.8	0.6	14
12	9.6	1.2	58
24	19.2	2.4	230
48	38.4	4.8	920
60	48.0	6.0	1440

Features

- ◆ relay and socket 2-in-1, small size , replace 38F relay
- ◆ Din-Rail installation, quick screw connection
- ◆ with LED indicator

Ordering Information



Notes: We have now gradually updated our ordering information. We suggest new type should be selected. If necessary, old type can be kept for some period for the old customers.

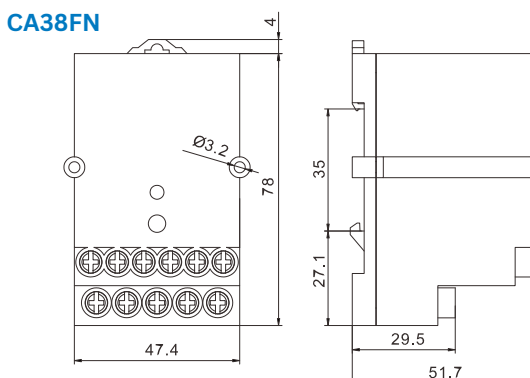


Din-Rail Mount

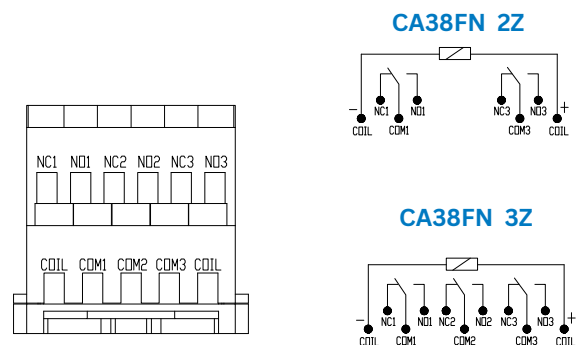
AC Coil Data

Rated Voltage VAC	Pickup Voltage VAC	Dropout Voltage VAC	Coil Resistance Ω±10%
12	9.6	3.6	10
24	19.2	7.2	40
48	38.4	14.4	160
110/120	88.0	36.0	847
220/240	176.0	72.0	3380/4030

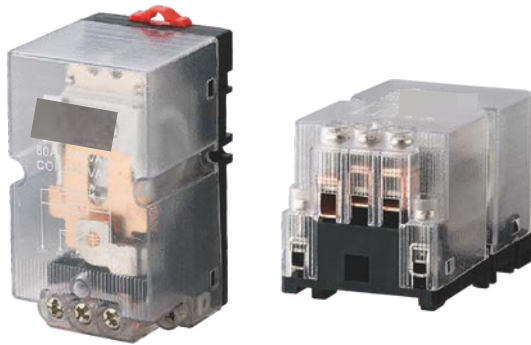
Dimensions (mm)



Wiring Diagrams



CA40FN Quick Screw Connection Power Relay



CA40FN 1Z
(JQX-40FN-1Z 40A)



Specifications

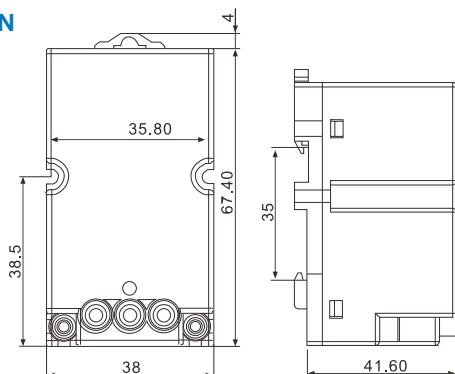
Contact	Contact Form	1Z
	Rated Load	40A 250VAC/30VDC
	Electrical/Mechanical Life	≥100000times/1000000times
	Initial Contact Resistance	≤100MΩ (1A 6VDC)
	Contact Material	AgSnO ₂
Characteristics	Insulation Resistance	≥500MΩ (500VDC)
	Dielectric Strength	Between open contacts≥1000VAC/1min
		Between poles≥1500VAC/1min
		Between contact and coil ≥1500VAC/1min
	Operate/Release Time	≤25ms/25ms
Terminal Type	Quick screw connection	
Coil	Operating PowerDC/AC	1.5W/2.5VA

DC Coil Data

Rated Voltage VDC	Pickup Voltage VDC	Dropout Voltage VDC	Coil Resistance Ω±10%
6	4.8	0.6	24
12	9.6	1.2	96
24	19.2	2.4	384
48	38.4	4.8	1540
60	48.0	6.0	2400
110	88.0	11.0	8060

Dimensions (mm)

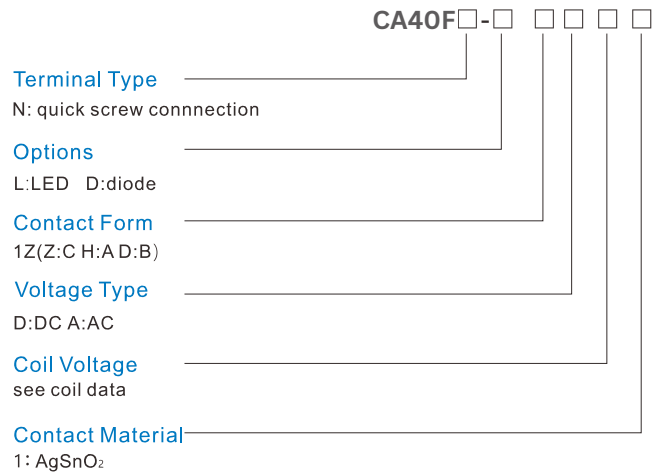
CA40FN



Features

- ◆ small size , replace 52F relay
- ◆ Din-Rail installation, quick screw connection
- ◆ with LED indicator

Ordering Information



Notes: We have now gradually updated our ordering information. We suggest new type should be selected. If necessary, old type can be kept for some period for the old customers.

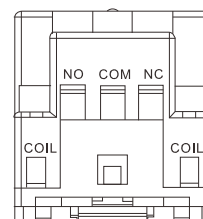


Din-Rail Mount

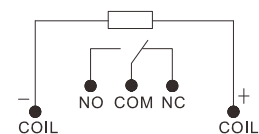
AC Coil Data

Rated Voltage VAC	Pickup Voltage VAC	Dropout Voltage VAC	Coil Resistance Ω±10%
12	9.6	3.6	20
24	19.2	7.2	80
48	38.4	14.4	320
110	88.0	36.0	1700
220/240	176.0	72.0	6770/8060

Wiring Diagrams



CA40FN 1Z



CA50FN Quick Screw Connection Power Relay



CA59FN 1Z
(JQX-59FN-1Z 80A)



Specifications

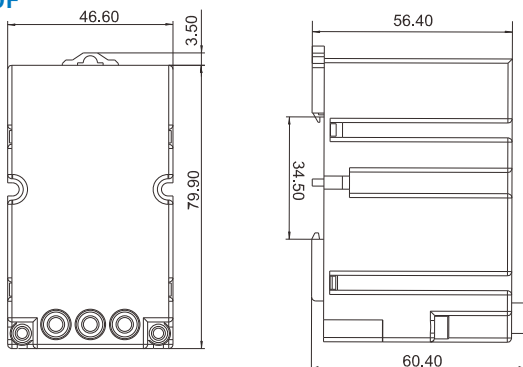
Contact	Contact Form	1Z	
	Rated Load	80A 250VAC/30VDC	
	Electrical/Mechanical Life	≥100000times/1000000times	
	Initial Contact Resistance	≤100MΩ (1A 6VDC)	
	Contact Material	AgSnO ₂	
Characteristics	Insulation Resistance	≥1000MΩ (500VDC)	
	Dielectric Strength	Between open contacts	≥1000VAC/1min
		Between poles	≥1500VAC/1min
		Between contact and coil	≥1500VAC/1min
	Operate/Release Time	≥25ms/25ms	
Terminal Type	Quick screw connection		
Coil	Operating PowerDC/AC	3.6W/4.4VA	

DC Coil Data

Rated Voltage VDC	Pickup Voltage VDC	Dropout Voltage VDC	Coil Resistance Ω±10%
6	4.8	0.6	10
12	9.6	1.2	40
24	19.2	2.4	160
48	38.4	4.8	640
110	88.0	11.0	3360

Dimensions (mm)

CA59F



Features

- ◆ small size , replace 59F relay
- ◆ Din-Rail installation, quick screw connection
- ◆ with LED indicator
- ◆ rated load, 1Z 80A

Ordering Information

Terminal Type & Mount Options

N: quick screw connection NS: flange mount

Options

L: LED D: diode

Contact Form

1Z(Z:C H:A D:B)

Voltage Type

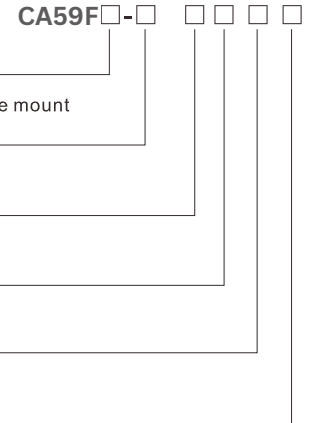
D:DC A:AC

Coil Voltage

see coil data

Contact Material

1: AgSnO₂

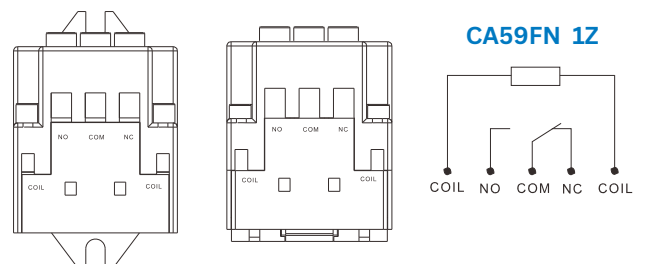


Notes: We have now gradually updated our ordering information. We suggest new type should be selected. If necessary, old type can be kept for some period for the old customers.

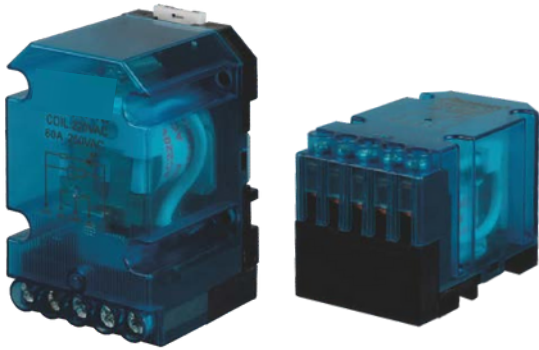
AC Coil Data

Rated Voltage VAC	Pickup Voltage VAC	Dropout Voltage VAC	Coil Resistance Ω±10%
6	4.8	1.8	8.2
12	9.6	3.6	32.7
24	19.2	7.2	130
48	38.4	14.4	524
220/240	176.0	72.0	11000/13090

Wiring Diagrams



CA60FN Quick Screw Connection Power Relay



CA60FN
(JQX-60FN-1Z 60A)



Specifications

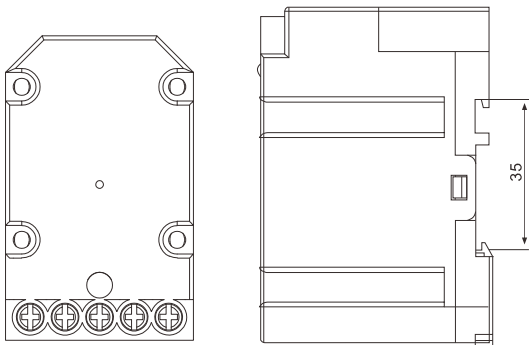
Contact	Contact Form	1Z	
	Rated Load	60A 250VAC/30VDC	
	Electrical/Mechanical Life	≥100000times/1000000times	
	Initial Contact Resistance	≤100MΩ (1A 6VDC)	
	Contact Material	AgSnO ₂	
Characteristics	Insulation Resistance	≥1000MΩ (500VDC)	
	Dielectric Strength	Between open contacts	≥1000VAC/1min
		Between poles	≥1500VAC/1min
		Between contact and coil	≥2500VAC/1min
	Operate/Release Time	≤25ms/25ms	
Terminal Type	Quick screw connection		
Coil	Operating PowerDC/AC	2.0W/4VA	

DC Coil Data

Rated Voltage VDC	Pickup Voltage VDC	Dropout Voltage VDC	Coil Resistance Ω±10%
6	4.8	0.6	18
12	9.6	1.2	70
24	19.2	2.4	290
48	38.4	4.8	1150
60	48.0	6.0	1800
110	88.0	11.0	6050

Dimensions (mm)

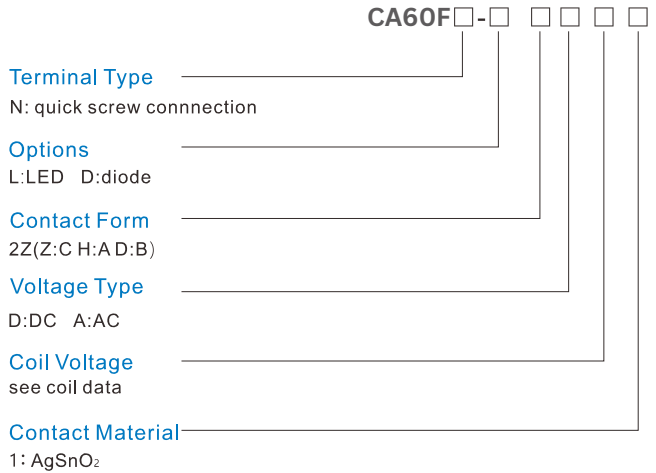
CA60FN



Features

- ◆ small size , replace 60F relay
- ◆ Din-Rail installation, quick screw connection
- ◆ with LED indicator
- ◆ high rated Load, 1Z 60A

Ordering Information



Notes: We have now gradually updated our ordering information. We suggest new type should be selected. If necessary, old type can be kept for some period for the old customers.

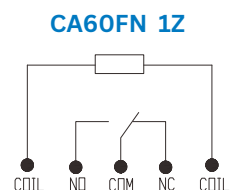
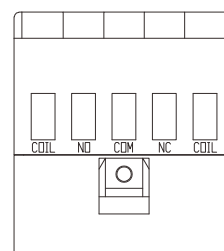


Din-Rail Mount

AC Coil Data

Rated Voltage VAC	Pickup Voltage VAC	Dropout Voltage VAC	Coil Resistance Ω±10%
6	4.8	1.8	9
12	9.6	3.6	36
24	19.2	7.2	144
48	38.4	14.4	576
110	88.0	36.0	3025
220/240	176.0	72.0	12000/14400

Wiring Diagrams



CA62D Quick Screw Connection Power Relay



CA62FD 1Z
(JQX-62FD-1Z 80A)



Specifications

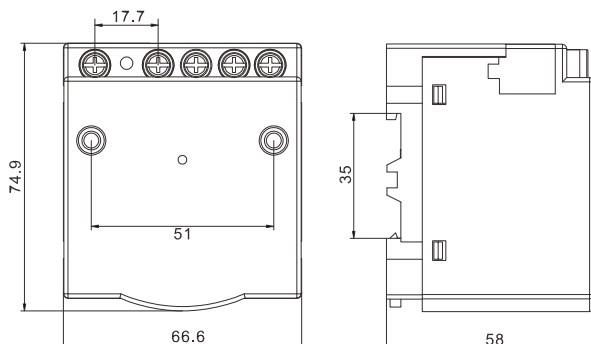
Contact	Contact Form	1Z
	Rated Load	80A 250VAC/30VDC
	Electrical/Mechanical Life	≥100000times/10000000times
	Initial Contact Resistance	≤100MΩ (1A 6VDC)
	Contact Material	AgSnO ₂
Characteristics	Insulation Resistance	≥1000MΩ (500VDC)
	Dielectric Strength	Between open contacts ≥1000VAC/1min Between contact and coil ≥2500VAC/1min
	Operate/Release Time	≤ 25ms/25ms
	Terminal Type	Quick screw connection
	Coil	Operating PowerDC/AC

DC Coil Data

Rated Voltage VDC	Pickup Voltage VDC	Dropout Voltage VDC	Coil Resistance Ω±10%
6	4.8	0.6	18
12	9.6	1.2	70
24	19.2	2.4	290
48	38.4	4.8	1150
60	48.0	6.0	1800
110	88.0	11.0	6050

Dimensions (mm)

CA62FD 1Z



Features

- ◆ small size , replace 62F relay
- ◆ Din-Rail installation, quick screw connection
- ◆ with LED indicator
- ◆ high rated load 1Z 80A

Ordering Information

Terminal Type	CA62FD □ □ □ □ □ □
N: quick screw connection	
Options	N/A
Contact Form	1Z(Z:C H:A D:B)
Voltage Type	D:DC A:AC
Coil Voltage	see coil data
Contact Material	1: AgSnO ₂

Notes: We have now gradually updated our ordering information. We suggest new type should be selected. If necessary, old type can be kept for some period for the old customers.

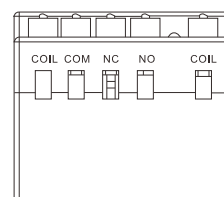


Din-Rail Mount

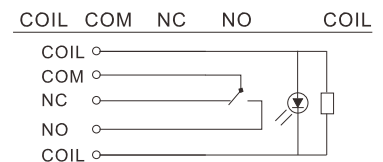
AC Coil Data

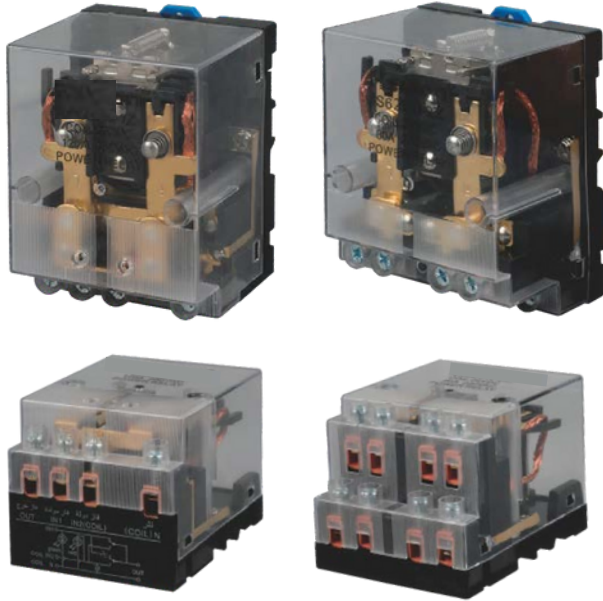
Rated Voltage VAC	Pickup Voltage VAC	Dropout Voltage VAC	Coil Resistance Ω±10%
6	4.8	1.8	9
12	9.6	3.6	36
24	19.2	7.2	144
48	38.4	14.4	576
110	88.0	36.0	3025
220/240	176.0	72.0	12000/14400

Wiring Diagrams



CA62FD 1Z





CA62FN 1Z
(JQX-62FN 1Z 120A)

CA62FN 2Z
(JQX-62FN 2Z 80A)



Specifications

	1Z	2Z
Contact Form	1Z	2Z
Rated Load	120A 250VAC/30VDC	80A 250VAC/30VDC
Electrical/Mechanical Life	≥100000times/1000000times	
Initial Contact Resistance	≤100MΩ (1A 6VDC)	
Contact Material	AgSnO ₂	
Insulation Resistance	≥1000MΩ (500VDC)	
Characteristics	Dielectric Strength	
	Between open contacts≥1000VAC/1min	
	Between poles≥1500VAC/1min	
	Between contact and coil ≥2500VAC/1min	
Operate/Release Time	≤ 25ms/25ms	
Terminal Type	Quick screw connection	
Coil Operating PowerDC/AC	2.0W/4VA	

DC Coil Data

Rated Voltage VDC	Pickup Voltage VDC	Dropout Voltage VDC	Coil Resistance Ω±10%
6	4.8	0.6	18
12	9.6	1.2	70
24	19.2	2.4	290
48	38.4	4.8	1150
60	48	6	1800
110	88.0	11.0	6050

Features

- ◆ Automatic switch between electric supply and generators
- ◆ Din-Rail installation, quick screw connection
- ◆ with LED indicator
- ◆ high rated load 2Z 80A;1Z 120A

Ordering Information

CA62F□-□□□□

Terminal Type _____
N: quick screw connection

Options _____
L: LED D: diode

Contact Form _____
1Z(Z:C H:A D:B)
2Z(Z:C H:A D:B)

Voltage Type _____
D:DC A:AC

Coil Voltage _____
see coil data

Contact Material _____
1: AgSnO₂

Notes: We have now gradually updated our ordering information. We suggest new type should be selected. If necessary, old type can be kept for some period for the old customers.



Din-Rail Mount

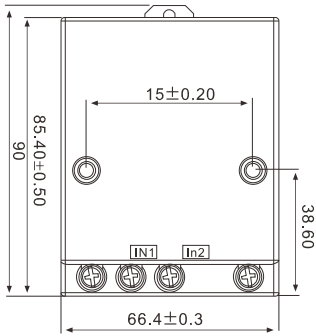
AC Coil Data

Rated Voltage VAC	Pickup Voltage VAC	Dropout Voltage VAC	Coil Resistance Ω±10%
6	4.8	1.8	9
12	9.6	3.6	36
24	19.2	7.2	144
48	38.4	14.4	576
110	88	36	3025
220/240	176.0	72.0	12000/14400

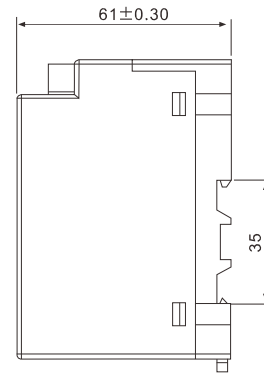
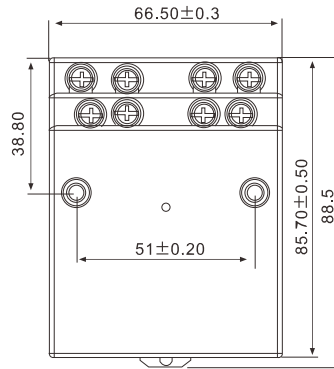
CA62FN Quick Screw Connection Power Relay

Dimensions (mm)

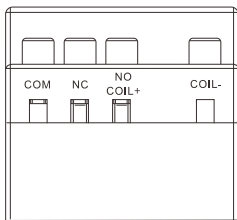
CA62FN 1Z



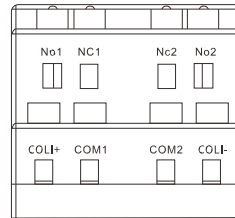
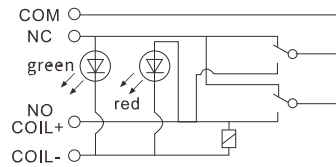
CA62FN 2Z



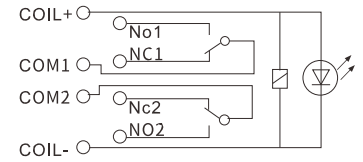
Wiring Diagrams



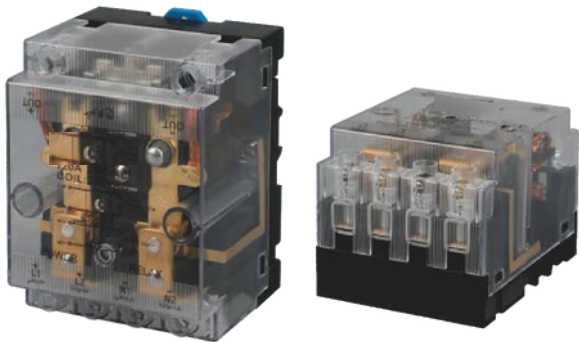
CA62FN 1Z 120A



CA62FN 2Z 80A



CA62FA Quick Screw Connection Power Relay



CA62FA 2Z



Specifications

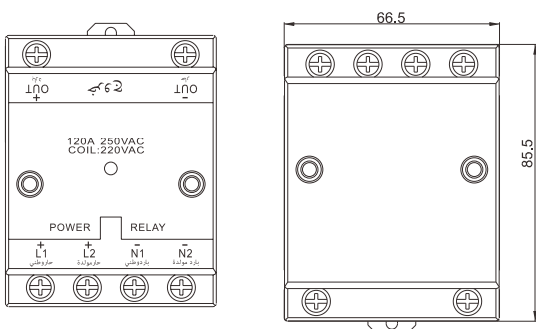
Contact	Contact Form	2Z
	Rated Load	120A 250VAC/30VDC
	Electrical/Mechanical Life	≥100000times/1000000times
	Initial Contact Resistance	≤100MΩ (1A 6VDC)
	Contact Material	AgSnO ₂
Characteristics	Insulation Resistance	≥1000MΩ (500VDC)
	Dielectric Strength	Between open contacts ≥1000VAC/1min
		Between contact and coil ≥2500VAC/1min
	Operate/Release Time	≤40ms/25ms
	Terminal Type	Quick screw connection
Coil	Operating Power DC/AC	2.0W/4VA

DC Coil Data

Rated Voltage VDC	Pickup Voltage VDC	Dropout Voltage VDC	Coil Resistance Ω ± 10%
6	4.8	0.6	18
12	9.6	1.2	70
24	19.2	2.4	290
48	38.4	4.8	1150
60	48.0	6.0	1800
110	88.0	11.0	6050

Dimensions (mm)

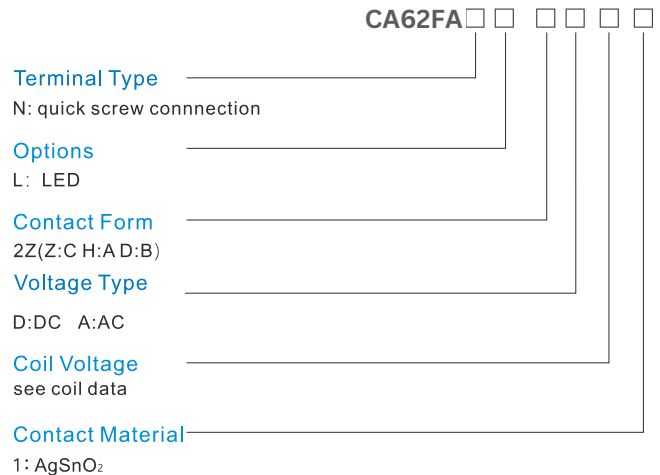
CA62FA 2Z



Features

- ◆ Automatic switch between electric supply and generators
- ◆ Din-Rail installation, quick screw connection
- ◆ with LED indicator

Ordering Information

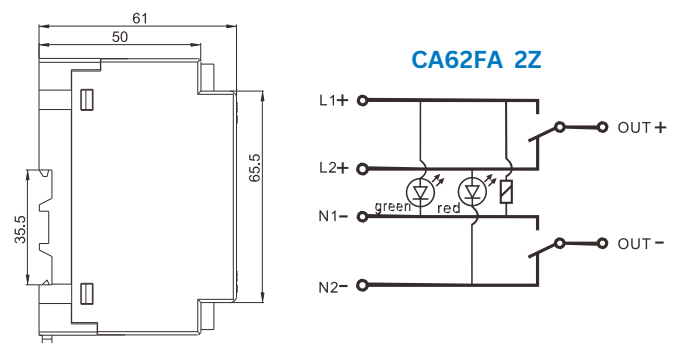


Din-Rail Mount

AC Coil Data

Rated Voltage VAC	Pickup Voltage VAC	Dropout Voltage VAC	Coil Resistance Ω ± 10%
6	4.8	1.8	9
12	9.6	3.6	36
24	19.2	7.2	144
48	38.4	14.4	576
110	88.0	36.0	3025
220/240	176.0	72.0	12000/14400

Wiring Diagrams





CA12F-BM 1Z
(JQX50F)



Specifications

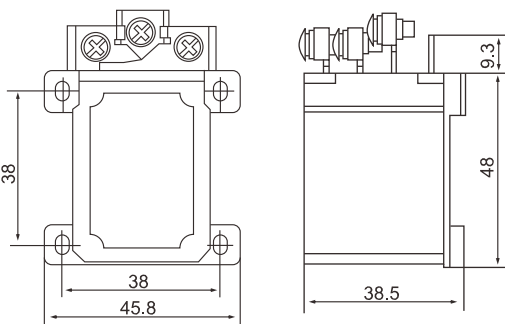
Contact	Contact Form	1Z
	Rated Load	40A 250VAC/30VDC
	Electrical/Mechanical Life	≥100000times/1000000times
	Initial Contact Resistance	≤100MΩ (1A 6VDC)
	Contact Material	AgSnO ₂
Characteristics	Insulation Resistance	≥1000MΩ (500VDC)
	Dielectric Strength	Between open contacts≥1000VAC/1min
		Between contact and coil≥2500VAC/1min
	Operate/Release Time	≤25ms/25ms
	Terminal Type	screw connection
Coil	Operating PowerDC/AC	2. 5W/4VA

DC Coil Data

Rated Voltage VDC	Pickup Voltage VDC	Dropout Voltage VDC	Coil Resistance Ω±10%
6	4.8	0.6	14.4
12	9.6	1.2	57.6
24	19.2	2.4	230
48	38.4	4.8	920
60	48.0	6.0	1440
110	88.0	11.0	4840

Dimensions (mm)

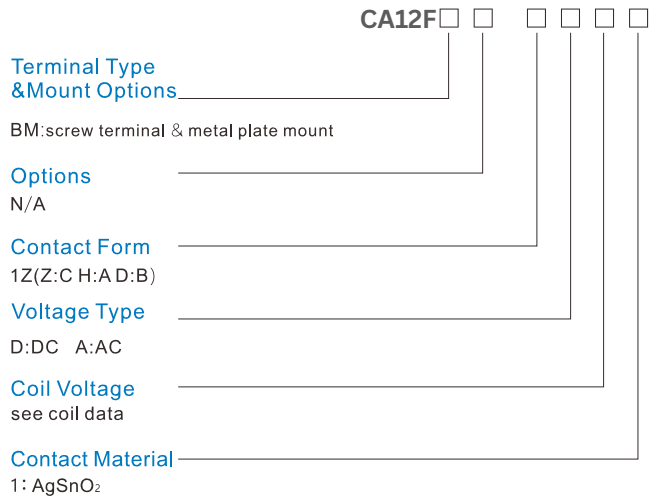
CA12F-BM 1Z



Features

- ◆ metal plate mount

Ordering Information



Notes: We have now gradually updated our ordering information. We suggest new type should be selected. If necessary, old type can be kept for some period for the old customers.

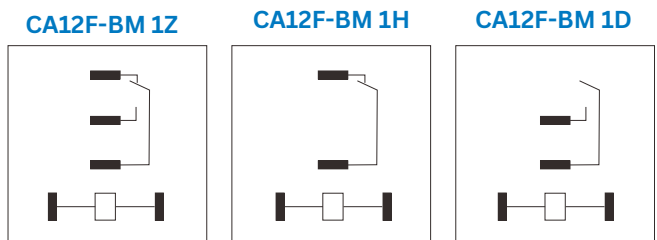


Metal Plate Mount

AC Coil Data

Rated Voltage VAC	Pickup Voltage VAC	Dropout Voltage VAC	Coil Resistance Ω±10%
12	9.6	3.6	12.6
24	19.2	7.2	50.4
48	38.4	14.4	200
110	88.0	36.0	1060
220/240	176.0	72.0	4230

Wiring Diagrams



CA12F Power Relay



CA12F-IM 2Z
(JQX-12F)



Specifications

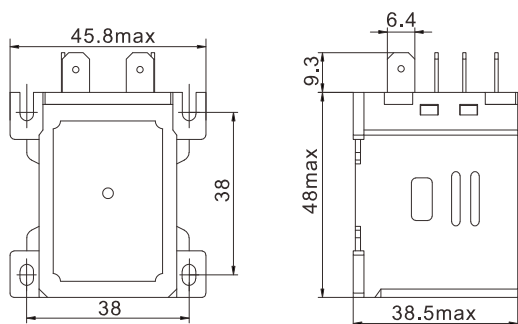
Contact Form	2Z		
Rated Load	30A 250VAC/30VDC		
Contact	Electrical/Mechanical Life	≥100000times/1000000times	
	Initial Contact Resistance	≤100MΩ (1A 6VDC)	
	Contact Material	AgSnO ₂	
Characteristics	Insulation Resistance	≥1000MΩ (500VDC)	
	Dielectric Strength	Between open contacts	≥1000VAC/1min
		Between poles	≥1500VAC/1min
		Between contact and coil	≥2500VAC/1min
	Operate/Release Time	≤25ms/25ms	
Terminal Type	Wire/ Quick connection		
Coil	Operating PowerDC/AC	2.5W/4VA	

DC Coil Data

Rated Voltage VDC	Pickup Voltage VDC	Dropout Voltage VDC	Coil Resistance Ω±10%
6	4.8	0.6	14.4
12	9.6	1.2	57.6
24	19.2	2.4	230
48	38.4	4.8	920
60	48.0	6.0	1440

Dimensions (mm)

CA12F-IM 2Z



Features

- ◆ metal plate mount

Ordering Information

CA12F□ □ □ □ □

Terminal Type & Mount Options _____
IM: wire connection & metal plate mount

Options _____
N/A

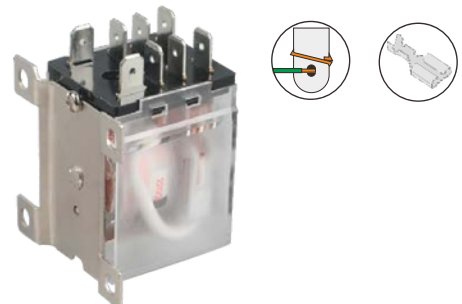
Contact Form _____
2Z(Z:C H:A D:B)

Voltage Type _____
D:DC A:AC

Coil Voltage _____
see coil data

Contact Material _____
1: AgSnO₂

Notes: We have now gradually updated our ordering information. We suggest new type should be selected. If necessary, old type can be kept for some period for the old customers.

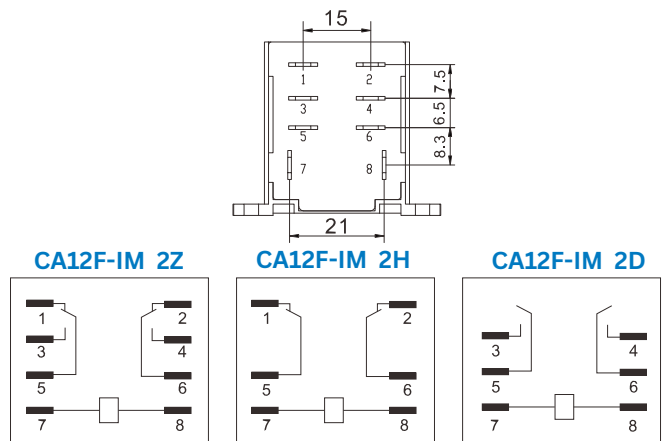


Metal Plate Mount

AC Coil Data

Rated Voltage VAC	Pickup Voltage VAC	Dropout Voltage VAC	Coil Resistance Ω±10%
12	9.6	3.6	12.6
24	19.2	7.2	50.4
48	38.4	14.4	200
110	88.0	36.0	1060
220/240	176.0	72.0	4230

Wiring Diagrams





CA30F 2Z
(JQX-30F)

CA30FS 2Z
(JQX-30FS)



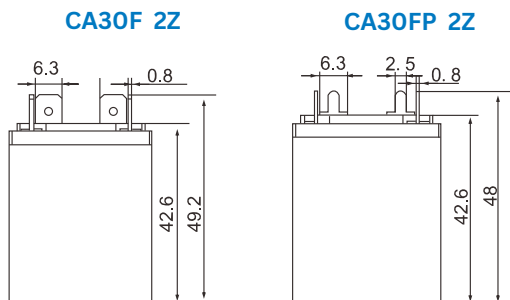
Specifications

Contact Form	2Z		
Rated Load (Resistive property)	30A 250VAC/30VDC		
Contact	Electrical/Mechanical Life	≥100000times/10000000times	
	Initial Contact Resistance	≤100MΩ (1A 6VDC)	
	Contact Material	AgSnO ₂	
	Insulation Resistance	≥1000MΩ (500VDC)	
Characteristics	Dielectric Strength	Between open contacts	≥1000VAC/1min
		Between poles	≥1500VAC/1min
		Between contact and coil	≥4000VAC/1min
	Operate/Release Time	≤25ms/25ms	
Terminal Type	Wire/Quick connection		
Coil	Operating PowerDC/AC	2.5W/2.5VA	

DC Coil Data

Rated Voltage VDC	Pickup Voltage VDC	Dropoff Voltage VDC	Coil Resistance Ω±10%
6	4.8	0.6	14
12	9.6	1.2	58
24	19.2	2.4	230
48	38.4	4.8	920
60	48.0	6.0	1440
110	88.0	11.0	4840

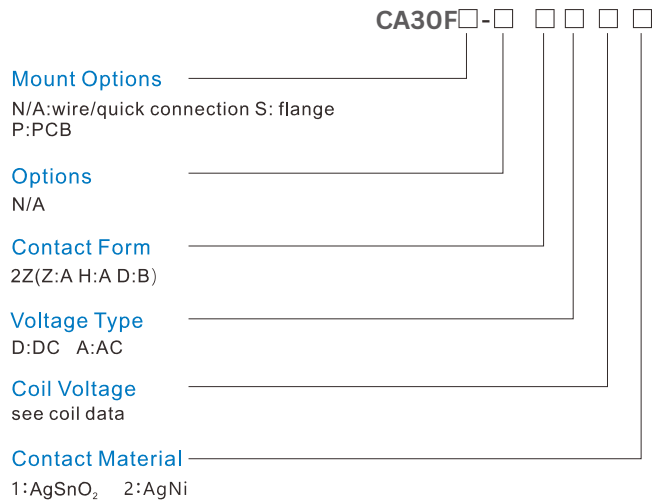
Dimensions (mm)



Features

- ◆ with ventilation holes

Ordering Information



Notes: We have now gradually updated our ordering information. We suggest new type should be selected. If necessary, old type can be kept for some period for the old customers.

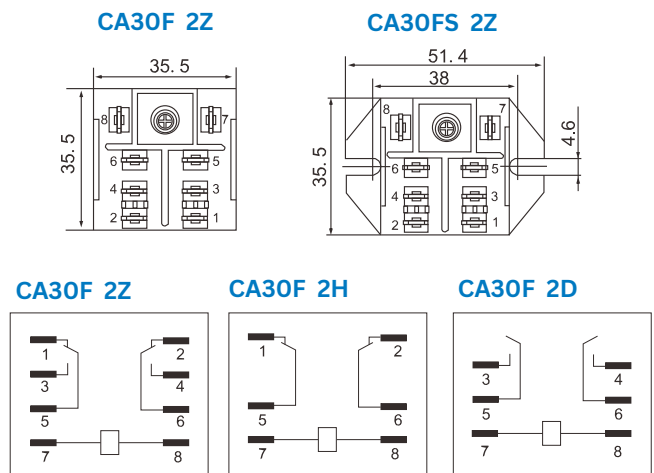


Wire/Quick connection

AC Coil Data

Rated Voltage VAC	Pickup Voltage VAC	Dropoff Voltage VAC	Coil Resistance Ω±10%
12	9.6	3.6	20
24	19.2	7.2	80
48	38.4	14.4	320
110	88.0	36.0	1700
220/240	176.0	72.0	6770

Wiring Diagrams



CA38F Power Relay



CA38F 2Z
(JQX-38F 2Z)

CA38F 3Z
(JQX-38F 3Z)



Specifications

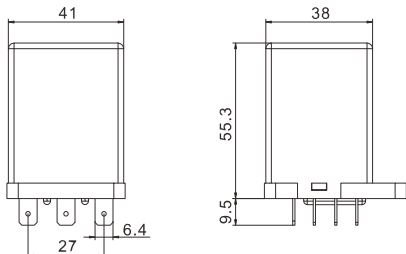
	2Z	3Z
Contact Form	2Z	3Z
Rated Load (Resistive property)	40A 250VAC/ 30VDC	30A 250VAC/30VDC
Contact	Electrical/Mechanical Life	≥100000times/1000000times
	Initial Contact Resistance	≤100MΩ (1A 6VDC)
	Contact Material	AgSnO ₂
	Insulation Resistance	≥1000MΩ (500VDC)
Characteristics	Dielectric Strength	Between open contacts≥1000VAC/1min
		Between poles≥1500VAC/1min
		Between contact and coil≥2500VAC/1min
	Operate/Release Time	≤25ms/25ms
Terminal Type	Wire/Quick connection	
Coil	Operating PowerDC/AC 2.5W/5VA	

DC Coil Data

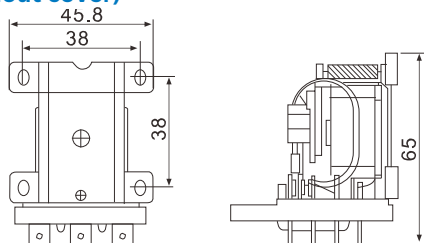
Rated Voltage VDC	Pickup Voltage VDC	Dropoff Voltage VDC	Coil Resistance Ω±10%
12	9.6	1.2	57
24	19.2	2.4	230
48	38.4	4.8	920
60	48.0	6.0	1440

Dimensions (mm)

CA38F



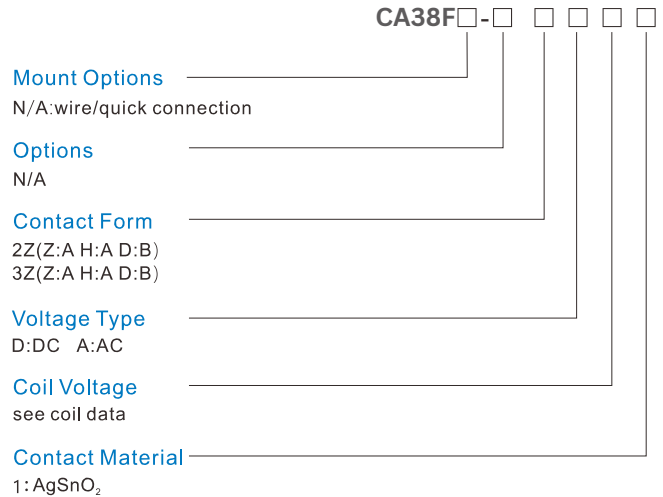
CA38F(without cover)



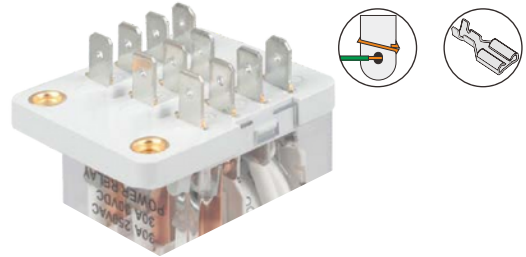
Features

- ◆ with screw mount board
- ◆ two kinds of load: Level A 40A, Level B 30A

Ordering Information



Notes: We have now gradually updated our ordering information. We suggest new type should be selected. If necessary, old type can be kept for some period for the old customers.

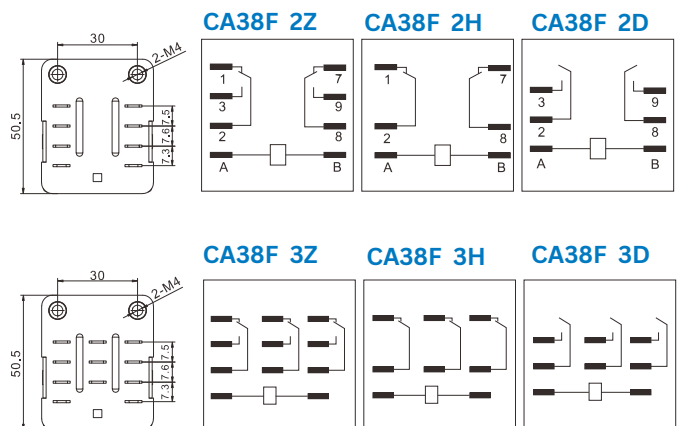


Wire/Quick connection

AC Coil Data

Rated Voltage VAC	Pickup Voltage VAC	Dropoff Voltage VAC	Coil Resistance Ω±10%
12	9.6	3.6	10
24	19.2	7.2	40.3
110	88.0	36.0	847
220/240	176.0	72.0	3700

Wiring Diagrams



CA38FV Power Relay



CA38FV 2Z
(JQX-38FV 2Z)



CA38FV 3Z
(JQX-38FV 3Z)



Specifications

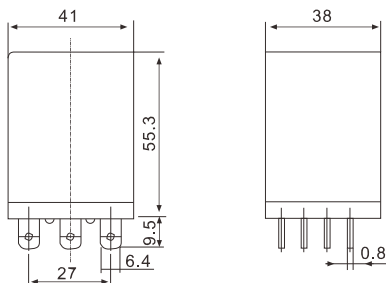
Contact Form	2Z	3Z
Rated Load (Resistive property)	40A 250VAC/30VDC ; 30A 250VAC/30VDC	
Contact	Electrical/Mechanical Life	≥100000times/1000000times
	Initial Contact Resistance	≤100MΩ (1A 6VDC)
	Contact Material	AgSnO ₂
	Insulation Resistance	≥1000MΩ (500VDC)
Characteristics	Dielectric Strength	Between open contacts≥1000VAC/1min Between poles≥1500VAC/1min Between contact and coil≥2500VAC/1min
	Operate/Release Time	≤25ms/25ms
	Terminal Type	plug in/wire/quick connectio
	Coil Operating PowerDC/AC	2. 5W/5VA

DC Coil Data

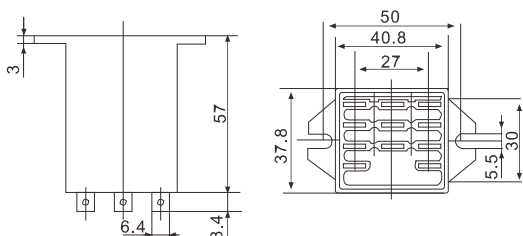
Rated Voltage VDC	Pickup Voltage VDC	Dropoff Voltage VDC	Coil Resistance Ω±10%
12	9.6	1.2	57
24	19.2	2.4	230
48	38.4	4.8	920
60	48.0	6.0	1440

Dimensions (mm)

CA38FV



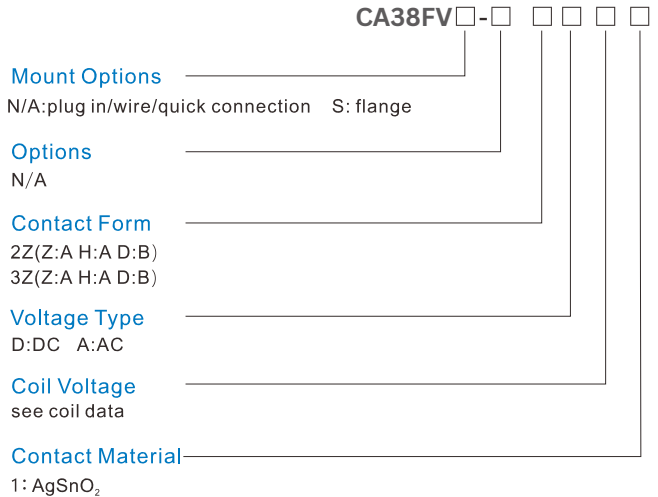
CA38FVS(flange mount)



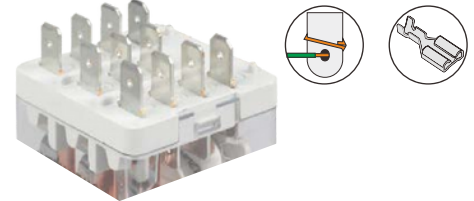
Features

- flange mount cover available
- two kinds of rated load: Level A 40A, Level B 30A
- matched sockets PIF□A

Ordering Information



Notes: We have now gradually updated our ordering information. We suggest new type should be selected. If necessary, old type can be kept for some period for the old customers.

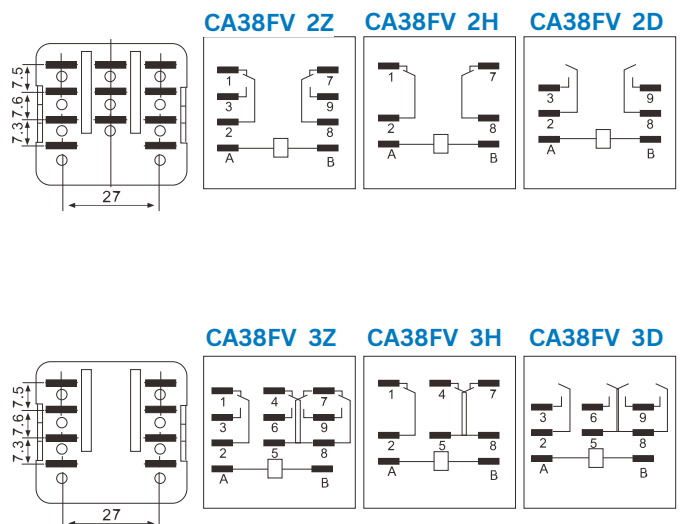


Wire/Quick connection

AC Coil Data

Rated Voltage VAC	Pickup Voltage VAC	Dropoff Voltage VAC	Coil Resistance Ω±10%
12	9.6	3.6	10
24	19.2	7.2	40.3
110	88.0	36.0	847
220/240	176.0	72.0	3700

Wiring Diagrams



PIF Series Sockets

PIF □ □ A

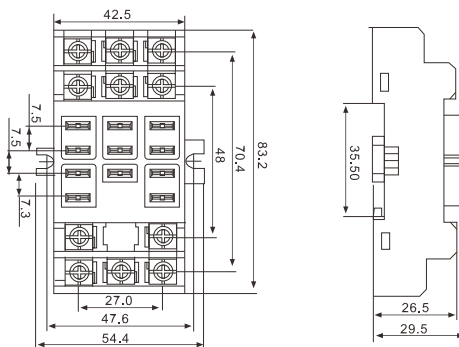


Appearance



PIF □ □ A
(PT38F-□ □)

Dimensions (mm)

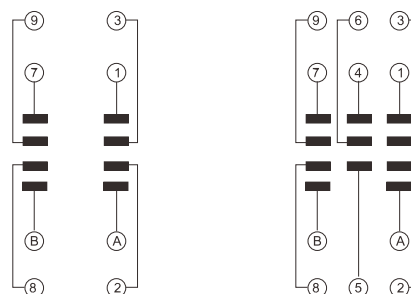


PIF08A/11A

Specifications

Rated Load	Current/Voltage	A/VAC	40/300
Dielectric Strength	Coil&Contacts	V/S	2000
	Between Contacts	V/S	2000
Wire Size		AWG/mm ²	20-14/0.5-2.5
Tightening Torque		Nm	1.0

Connection Diagrams



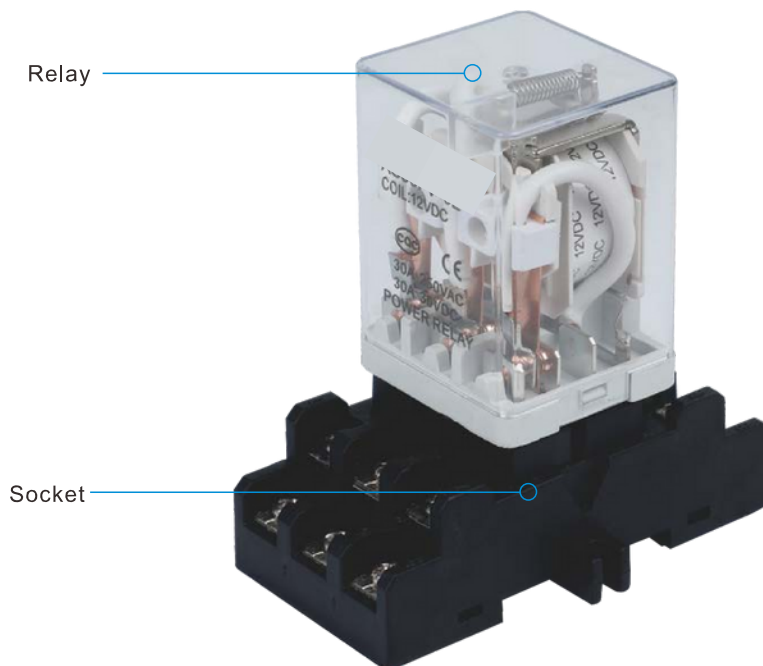
PIF08A

PIF11A

Matched accessories

Socket	Clip	Module	DIN Rail
PEF08A	/	/	
PEF11A			

combination





CA52F-BM 1Z
(JQX-40F 1Z)

CA52F-BP 1Z
(JQX-52F 1Z)



CA52F-IP 2Z
(JQX-52F 2Z)

Features

- ◆ two kinds of mount plate: metal or plastic
- ◆ two types of terminal: screw or wire

Ordering Information

Terminal Type & Mount Options

BM: screw terminal & metal plate mount
BP: screw terminal & plastic plate mount
IP: wire connection & plastic plate mount

Options

N/A

Contact Form

1Z(Z:A H:A D:B)
2Z(Z:A H:A D:B)

Voltage Type

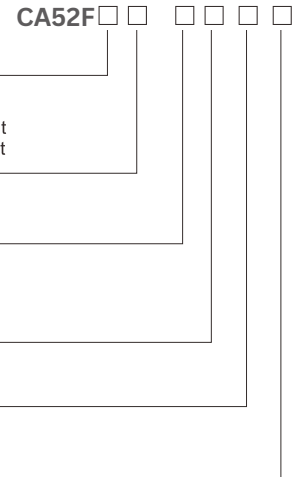
D:DC A:AC

Coil Voltage

see coil data

Contact Material

1: AgSnO₂



Notes: We have now gradually updated our ordering information. We suggest new type should be selected. If necessary, old type can be kept for some period for the old customers.



Specifications

	Contact Form	1Z	2Z
Contact	Rated Load (Resistive property)	40A 250VAC/30VDC	
	Electrical/Mechanical Life	≥100000times/1000000times	
	Initial Contact Resistance	≤100MΩ (1A 6VDC)	
	Contact Material	AgSnO ₂	
	Insulation Resistance	≥1000MΩ (500VDC)	
Characteristics	Dielectric Strength	Between open contacts ≥1000VAC/1min	
		Between poles ≥1500VAC/1min	
		Between contact and coil ≥2500VAC/1min	
	Operate/Release Time	≤25ms/25ms	
	Terminal Type	Screw/Wire	
Coil	Operating Power DC/AC	2.0W/2.5VA	



CA52F-BP 1Z
Plastic Plate Mount



CA52F-BM 1Z
Metal Plate Mount

DC Coil Data

Rated Voltage VDC	Pickup Voltage VDC	Dropoff Voltage VDC	Coil Resistance Ω±10%
6	4.8	0.6	18
12	9.6	1.2	72
24	19.2	2.4	288
48	38.4	4.8	1150
60	48.0	6.0	1800
110	88.0	11.0	6050

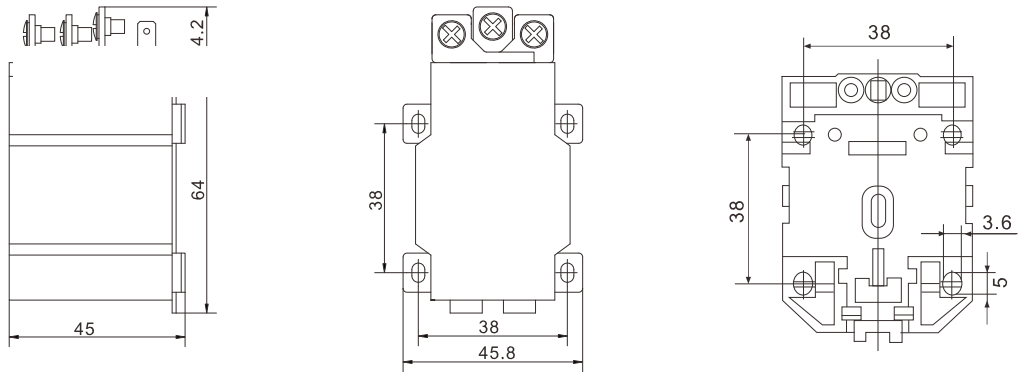
AC Coil Data

Rated Voltage VAC	Pickup Voltage VAC	Dropoff Voltage VAC	Coil Resistance Ω±10%
6	4.8	1.8	14.4
12	9.6	3.6	57
24	19.2	7.2	230
48	38.4	14.4	921
110	88.0	36.0	5000
220/240	176.0	72.0	19400/23070

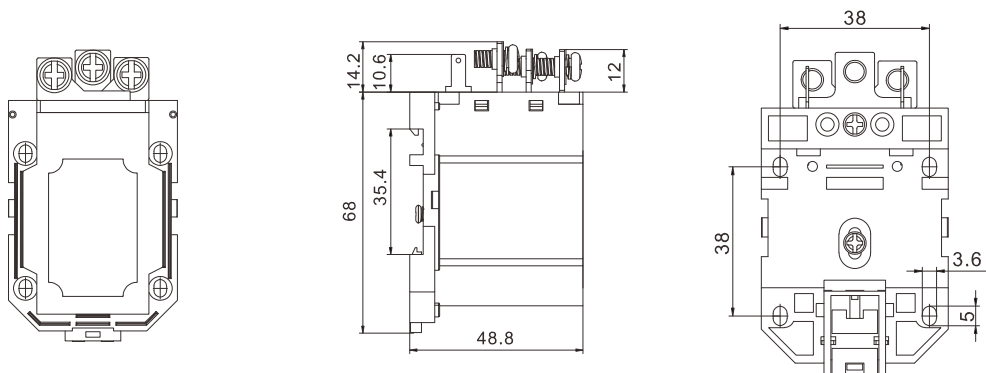
CA52F Power Relay

Dimensions (mm)

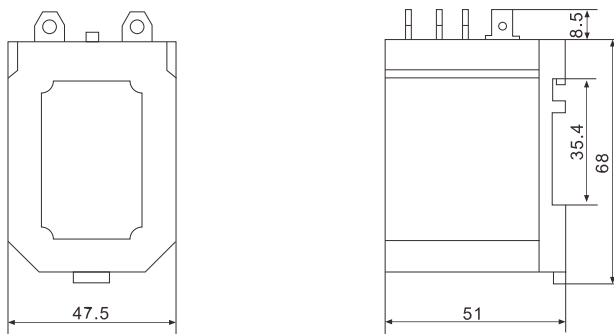
CA52F-BM 1Z



CA52F-BP 1Z

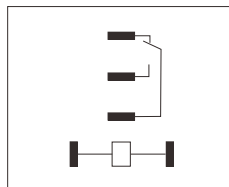


CA52F-IP 2Z

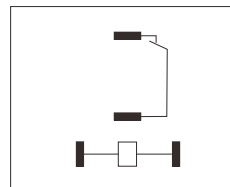


Wiring Diagrams

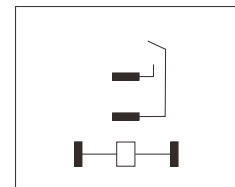
CA52F 1Z



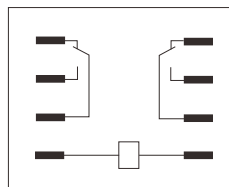
CA52F 1H



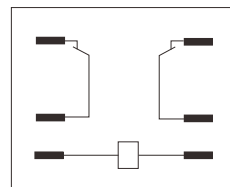
CA52F 1D



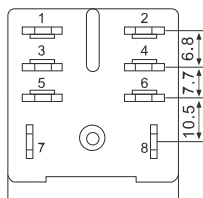
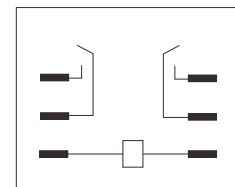
CA52F 2Z



CA52F 2H



CA52F 2D





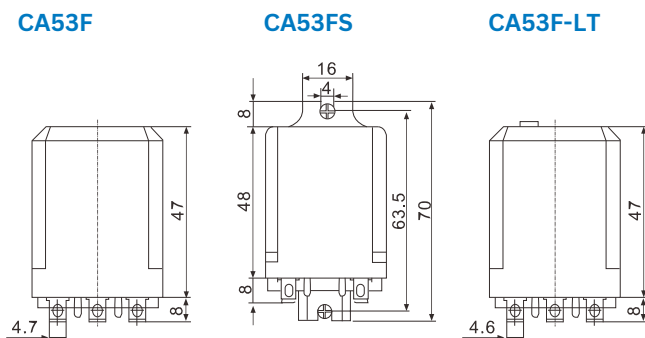
Specifications

Contact Form	2Z	3Z
Rated Load (Resistive property)	10A 277VAC/30VDC 16A 277VAC/30VDC 25A 277VAC/30VDC	
Contact	Electrical/Mechanical Life	≥10000times/1000000times
	Initial Contact Resistance	≤100MΩ (1A 6VDC)
	Contact Material	AgSnO ₂
	Insulation Resistance	≥1000MΩ (500VDC)
Characteristics	Dielectric Strength	Between open contacts ≥1000VAC/1min
		Between poles ≥1500VAC/1min
	Between contact and coil ≥2500VAC/1min	
	Operate/Release Time	≤25ms/25ms
Terminal Type	Plug/Wire/Quick Connection	
Coil	Operating Power DC/AC	10A/16A:1.2W/2.5VA 25A:1.5W/2.5VA

DC Coil Data

Rated Voltage VDC	Pickup Voltage VDC	Dropoff Voltage VDC	Coil Resistance (Ω±10%)	
			1.2W	1.5W
12	9.6	1.2	120	96
24	19.2	2.4	480	380
48	38.4	4.8	1920	1540
60	48.0	6.0	3000	2400
120	82.3	11.6	12000	9600

Dimensions (mm)



Features

- ◆ flange mount cover available
- ◆ with press test button
- ◆ matched sockets PEF□A

Ordering Information

Mount Options

N/A: plug in S: flange

Options

L: LED indicator T: press test button

Contact Form

2Z(Z:A H:A D:B)
3Z(Z:A H:A D:B)

Voltage Type

D: DC A: AC

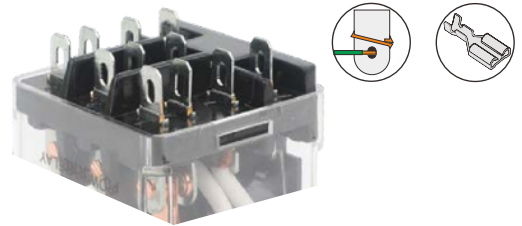
Coil Voltage

see coil data

Contact Material

1: AgSnO₂

Notes: We have now gradually updated our ordering information. We suggest new type should be selected. If necessary, old type can be kept for some period for the old customers.

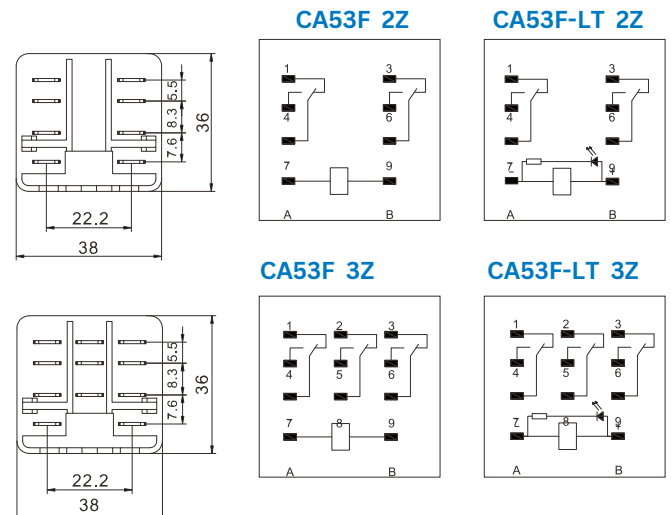


Plug/Wire/Quick Connection

AC Coil Data

Rated Voltage VAC	Pickup Voltage VAC	Dropoff Voltage VAC	Coil Resistance (Ω±10%)
12	9.6	3.6	20
24	19.2	7.2	81
48	38.4	14.4	320
120	88.0	36.0	2000
220	176.0	72.0	6700

Wiring Diagrams



PEF Series Sockets

PEF□□A

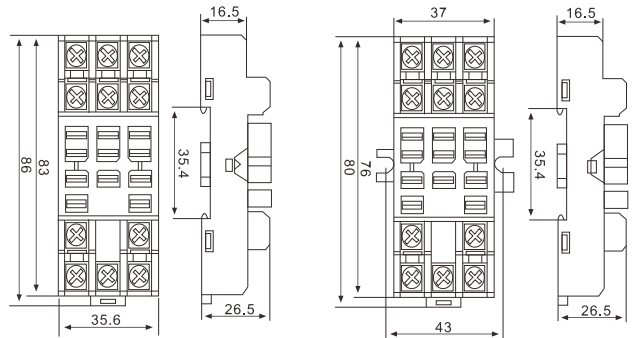


Appearance



PEF□□A
(PT53F-□□A)

Dimensions (mm)



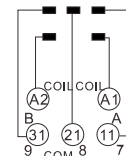
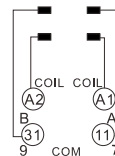
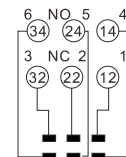
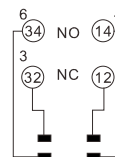
PEF08A/11A-16A

PEF11A-25A

Specifications

Rated Load	Current/Voltage	AVAC	16?25/300
Dielectric Strength	Coil/Contact spacing	V/S	2000
	Contact intervals	V/S	2000
Wire Size	AWG/mm2		20-14/0.5-2.5
Tightening Torque	Nm		1.0

Connection Diagrams



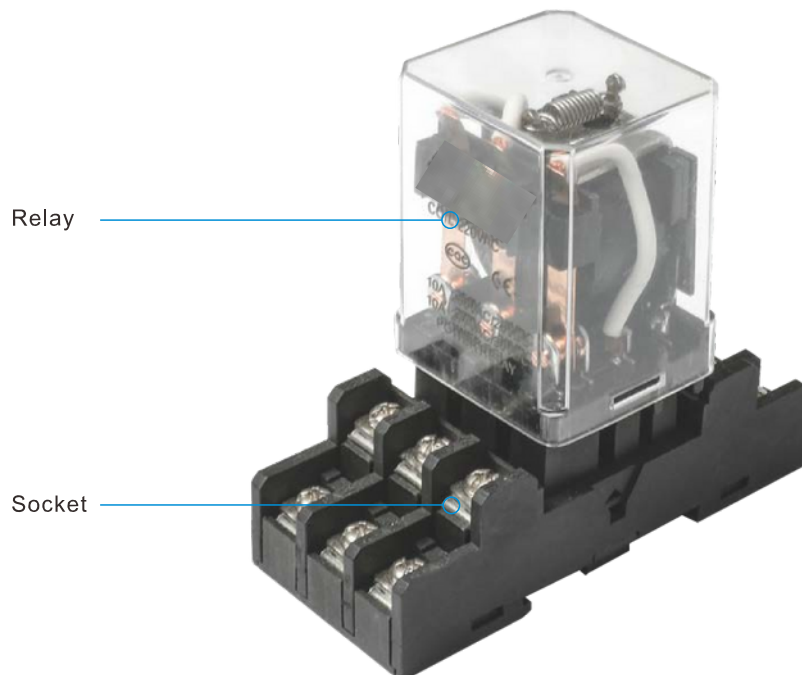
PEF08A

PEF11A

Matched accessories

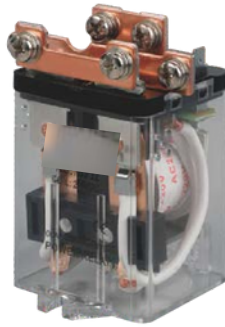
Socket	Clip	Module	DIN Rail
PEF08A	K-53	/	
PEF11A			

combination





CA59F-BS 1Z
(JQX-59F 1Z)



CA59F-BS 1Z 100A
(JQX-120F 1Z)



CA59F-BM 2Z
(JQX-59F 2Z)

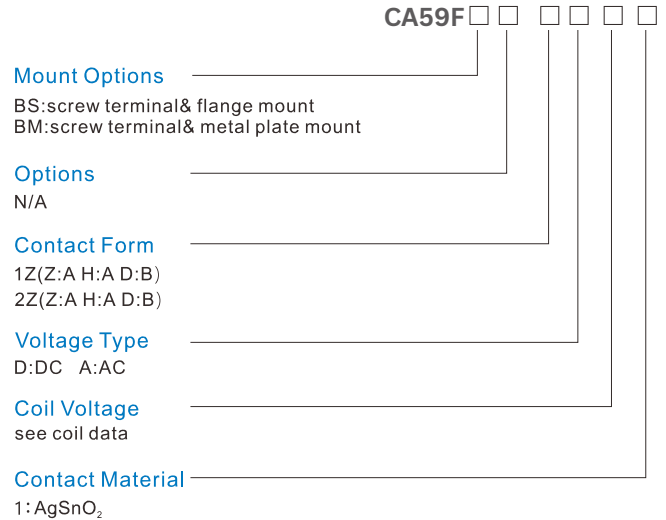


CA59F-BS 2Z
(JQX-59FS 2Z 60A)

Features

- ◆ two kinds of mount options: flange or metal plate
- ◆ 2Z with connector becomes 1Z, rated load reach 100A max

Ordering Information



Notes: We has now gradually updated our ordering information. We suggest new type should be selected. If necessary, old type can be kept for some period for the old customers.



Specifications

	1Z	2Z
Contact Form	1Z	2Z
Rated Load (Resistive property)	80A.100A 250VAC/30VDC	80A 250VAC/30VDC
Contact	Electrical/Mechanical Life ≥100000times/10000000times	
	Initial Contact Resistance ≤100MΩ (1A 6VDC)	
	Contact Material AgSnO ₂	
	Insulation Resistance ≥1000MΩ (500VDC)	
Characteristics	Between open contacts ≥1000VAC/1min	
	Between poles ≥1500VAC/1min	
	Between contact and coil ≥2500VAC/1min	
	Operate/Release Time ≤25ms/25ms	
Terminal Type	Screw	
Coil Operating Power DC/AC	3.6W/4.4VA	



CA59F-BM 1Z 100A
(JQX-120F 1Z)



CA59F-BM 2Z Metal Plate Mount



Connector

DC Coil Data

Rated Voltage VDC	Pickup Voltage VDC	Dropoff Voltage VDC	Coil Resistance Ω±10%
6	4.8	0.6	10
12	9.6	1.2	40
24	19.2	2.4	160
48	38.4	4.8	640
110	88.0	11.0	3360

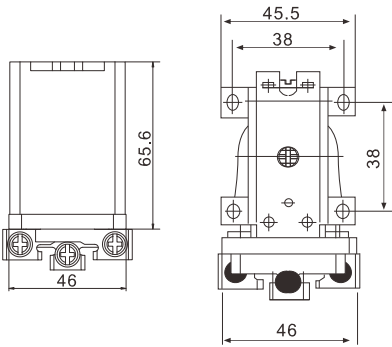
AC Coil Data

Rated Voltage VAC	Pickup Voltage VAC	Dropoff Voltage VAC	Coil Resistance Ω±10%
6	4.8	1.8	8.2
12	9.6	3.6	32.7
24	19.2	7.2	130
48	38.4	14.4	523.6
220/240	176.0	72.0	11000/13090

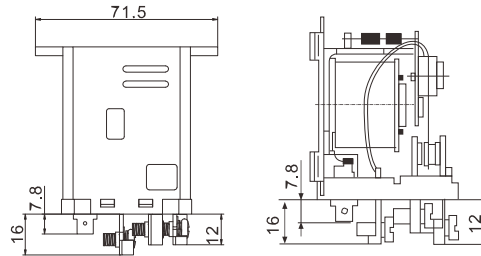
CA59F Power Relay

Dimensions (mm)

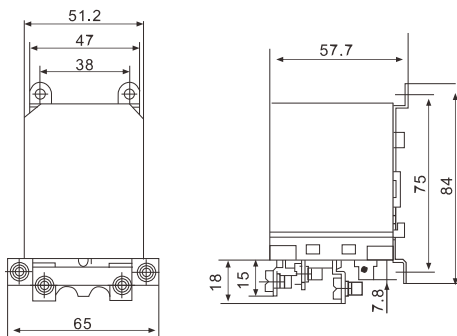
CA59F-BS 1Z



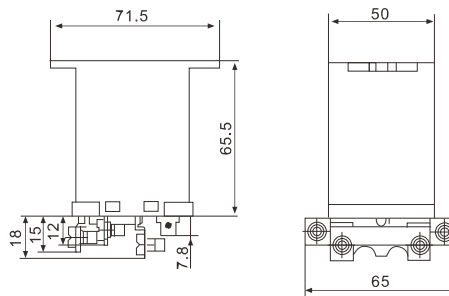
CA59F-BS 1Z 100A



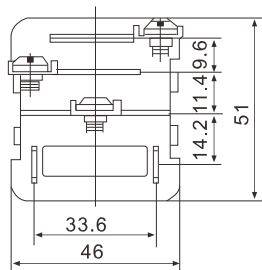
CA59F-BM 2Z



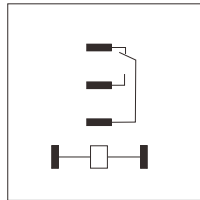
CA59F-BS 2Z



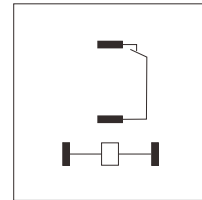
Wiring Diagrams



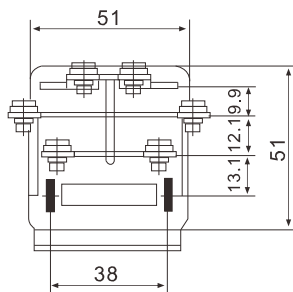
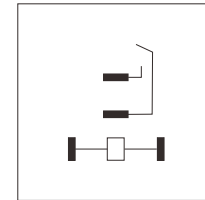
CA59F 1Z



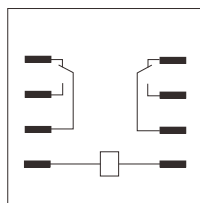
CA59F 1H



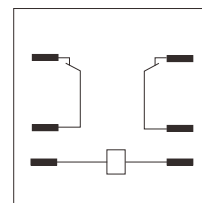
CA59F 1D



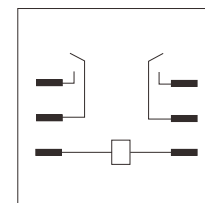
CA59F 2Z

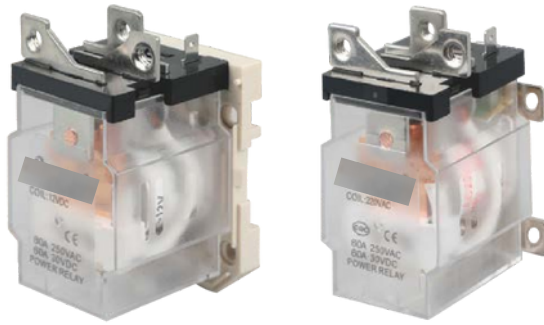


CA59F 2H



CA59F 2D





CA60F-BP 1Z
(JQX-58F)

CA60F-BM 1Z
(JQX-60F)



Specifications

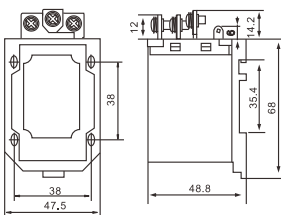
Contact	Contact Form	1Z?1H?1D	
	Rated Load (Resistive property)	60A 250VAC/30VDC	
	Electrical/Mechanical Life	≥100000times/10000000times	
	Initial Contact Resistance	≤100MΩ (1A 6VDC)	
Characteristics	Contact Material	AgSnO ₂	
	Insulation Resistance	≥1000MΩ (500VDC)	
	Dielectric Strength	Between open contacts	≥1000VAC/1min
		Between contact and coil	≥2500VAC/1min
	Operate/Release Time	≤25ms/25ms	
Terminal Type	Screw		
Coil	Operating PowerDC/AC	2.0W/2.5VA	

DC Coil Data

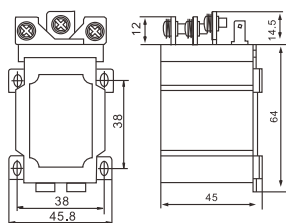
Rated Voltage VDC	Pickup Voltage VDC	Dropoff Voltage VDC	Coil Resistance Ω±10%
6	4.8	0.6	18
12	9.6	1.2	72
24	19.2	2.4	288
48	38.4	4.8	1150
60	48	6	1800
110	88.0	11.0	6050

Dimensions (mm)

CA60F-BP 1Z



CA60F-BM 1Z



Features

- ◆ two kinds of mount options: metal or plastic

Ordering Information

CA60F

Terminal Type & Mount Options
Bp: screw terminal & plastic plate mount
Bm: screw terminal & metal plate mount

Options
N/A

Contact Form
1Z(Z:A H:A D:B)
2Z(Z:A H:A D:B)

Voltage Type
D:DC A:AC

Coil Voltage
see coil data

Contact Material
1: AgSnO₂

Notes: We have gradually updated our ordering information. We suggest new type should be selected. If necessary, old type can be kept for some period for the old customers.



CA60F-BP 1Z
Plastic Plate Mount

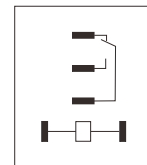
CA60F-BM 1Z
Metal Plate Mount

AC Coil Data

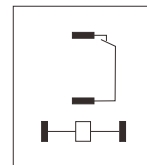
Rated Voltage VAC	Pickup Voltage VAC	Dropoff Voltage VAC	Coil Resistance Ω±10%
6	4.8	1.8	14.4
12	9.6	3.6	57
24	19.2	7.2	230
48	38.4	14.4	921
110	88	36	5000
220/240	176.0	72.0	19400/23070

Wiring Diagrams

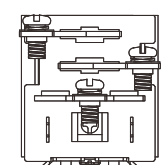
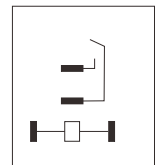
CA60F 1Z



CA60F 1H

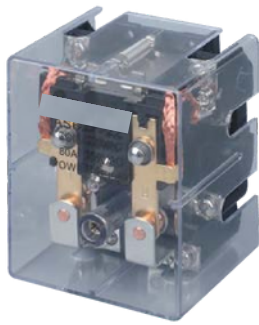


CA60F 1D





CA62F 1Z
(JQX-62F 1Z 80A)



CA62F 2Z
(JQX-62F 2Z 80A)



Specifications

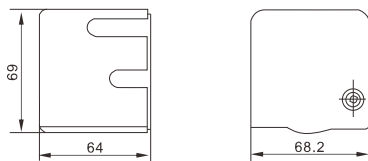
		1Z	2Z
Contact	Contact Form	1Z	2Z
	Rated Load (Resistive property)	80A.120A 250VAC/30VDC	
	Electrical/Mechanical Life	≥100000times/1000000times	
	Initial Contact Resistance	≤100MΩ (1A 6VDC)	
	Contact Material	AgSnO ₂	
Characteristics	Insulation Resistance	≥1000MΩ (500VDC)	
	Dielectric Strength	Between open contacts	≥1000VAC/1min
		Between poles	≥1500VAC/1min
		Between contact and coil	≥2500VAC/1min
	Operate/Release Time	≤40ms/25ms	
Terminal Type	Screw		
Coil	Operating PowerDC/AC	80A:DC2.0W/AC4VA 120A:DC2.0W/AC4VA	

DC Coil Data

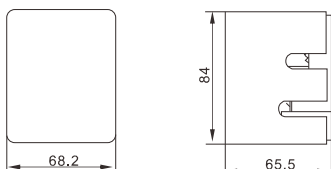
Rated Voltage VDC	Pickup Voltage VDC	Dropoff Voltage VDC	Coil Resistance Ω±10%
6	4.8	0.6	18
12	9.6	1.2	70
24	19.2	2.4	290
48	38.4	4.8	1150
60	48	6	1800
110	88	11	6050

Dimensions (mm)

CA62F 1Z



CA62F 2Z



Features

- ◆ 1Z with metal wire, rated load reach 120A max
- ◆ without cover version AS 62 available, better radiator

Ordering Information

Mount Options

B: Screw

Options

N/A

Contact Form

1Z(Z:A H:A D:B)
2Z(Z:A H:A D:B)

Voltage Type

D:DC A:AC

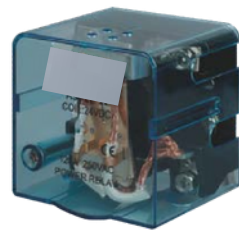
Coil Voltage

see coil data

Contact Material

1: AgSnO₂

Notes: We have now gradually updated our ordering information. We suggest new type should be selected. If necessary, old type can be kept for some period for the old customers.



CA62F 1Z 120A
(JQX-62F 1Z 120A)



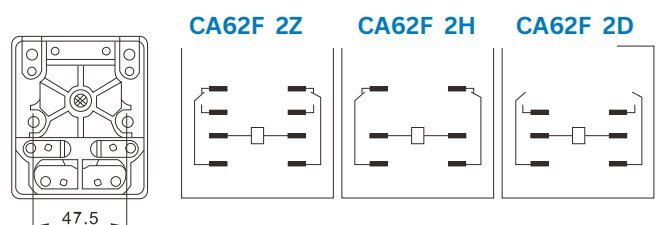
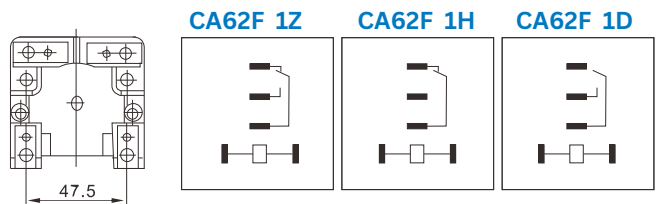
Screw Mount

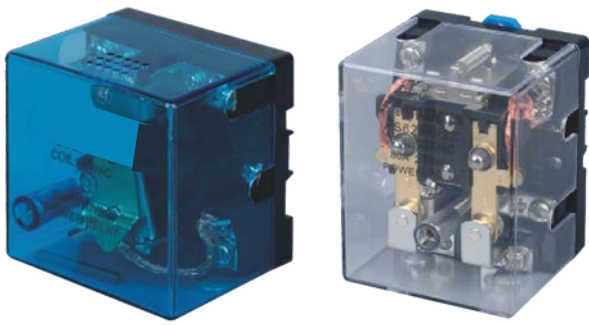


AC Coil Data

Rated Voltage VAC	Pickup Voltage VAC	Dropoff Voltage VAC	Coil Resistance Ω±10%
6	4.8	1.8	9
12	9.6	3.6	36
24	19.2	7.2	144
48	38.4	14.4	576
110	88	36	3025
220/240	176	72	12000/14400

Wiring Diagrams





CA62FH 1Z
(JQX-62FH 1Z 120A)

CA62FH 2Z
(JQX-62FH 2Z 80A)



Specifications

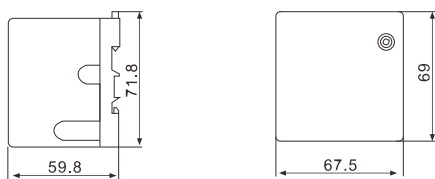
	1Z	2Z
Contact Form	1Z	2Z
Rated Load (Resistive property)	80A 250VAC/30VDC	
Contact	Electrical/Mechanical Life ≥ 100000 times/ 10000000 times	
	Initial Contact Resistance $\leq 100M\Omega$ (1A 6VDC)	
	Contact Material AgSnO ₂	
	Insulation Resistance $\geq 1000M\Omega$ (500VDC)	
Dielectric Strength Characteristics	Between open contacts $\geq 1000VAC/1$ min	
	Between poles $\geq 1500VAC/1$ min	
	Between contact and coil $\geq 2500VAC/1$ min	
Operate/Release Time	≤ 40 ms/ 25 ms	
Terminal Type	Screw	
Coil Operating Power DC/AC	2.0W/AC4VA	

DC Coil Data

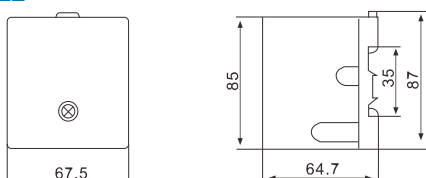
Rated Voltage VDC	Pickup Voltage VDC	Dropoff Voltage VDC	Coil Resistance $\Omega \pm 10\%$
6	4.8	0.6	18
12	9.6	1.2	72
24	19.2	2.4	288
48	38.4	4.8	1150
60	48	6	1800
110	88.0	11.0	6050

Dimensions (mm)

CA62FH 1Z



CA62FH 2Z



Features

- ◆ 1Z with metal wire, rated load reach 120A max
- ◆ without cover version AS 62H available, better radiator

Ordering Information

CA62F					
Mount Options	H : Din Rail				
Options	N/A				
Contact Form	1Z(Z:A H:A D:B) 2Z(Z:A H:A D:B)				
Voltage Type	D:DC A:AC				
Coil Voltage	see coil data				
Contact Material	1:AgSnO ₂				

Notes: We have now gradually updated our ordering information. We suggest new type should be selected. If necessary, old type can be kept for some period for the old customers.



CA62FH 1Z 120A
(JQX-62F 1Z 120A)

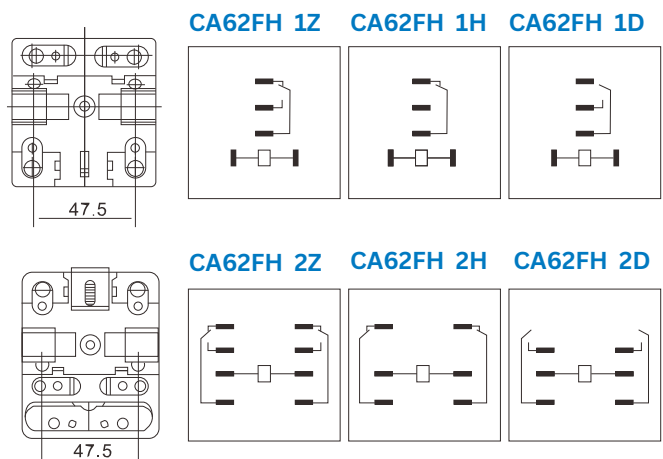


Din Rail Mount

AC Coil Data

Rated Voltage VAC	Pickup Voltage VAC	Dropoff Voltage VAC	Coil Resistance $\Omega \pm 10\%$
6	4.8	1.8	9
12	9.6	3.6	36
24	19.2	7.2	144
48	38.4	14.4	576
110	88	36	3025
220/240	176.0	72.0	12000/14400

Wiring Diagrams



CA82F Power Relay



CA82F
(JQX-82F 1Z)



Specifications

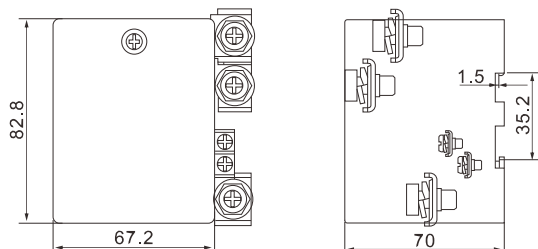
Contact Form	1Z	
Rated Load (Resistive property)	150A 250VAC/30VDC	
Contact	Electrical/Mechanical Life	≥100000times/1000000times
	Initial Contact Resistance	≤100MΩ (1A 6VDC)
	Contact Material	AgSnO ₂
	Insulation Resistance	≥1000MΩ (500VDC)
Characteristics	Dielectric Strength	Between open contacts≥1000VAC/1min Between contact and coil≥2500VAC/1min
	Operate/Release Time	≤40ms/25ms
	Terminal Type	Screw
Coil	Operating PowerDC/AC	2.0W/AC4VA

DC Coil Data

Rated Voltage VDC	Pickup Voltage VDC	Dropoff Voltage VDC	Coil Resistance Ω±10%
6	4.8	0.6	18
12	9.6	1.2	70
24	19.2	2.4	290
48	38.4	4.8	1152
60	48	6	1800
110	88.0	11.0	6000

Dimensions (mm)

CA82F 1Z



Features

- ◆ 1Z rated load reach 150A max
- ◆ patented product

Ordering Information

CA82F	□	□	□	□	□	□
Mount Options	B : Screw					
Options	N/A					
Contact Form	1Z(Z:A H:A D:B)					
Voltage Type	D:DC A:AC					
Coil Voltage	see coil data					
Contact Material	1:AgSnO ₂					

Notes: We has now gradually updated our ordering information. We suggest new type should be selected. If necessary, old type can be kept for some period for the old customers.

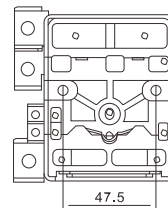


Screw Mount **Screw Mount**

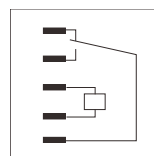
AC Coil Data

Rated Voltage VAC	Pickup Voltage VAC	Dropoff Voltage VAC	Coil Resistance Ω±10%
6	4.8	1.8	9
12	9.6	3.6	36
24	19.2	7.2	144
48	38.4	14.4	576
110	88	36	3025
220/240	176.0	72.0	12000/14400

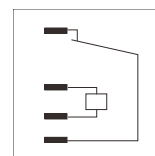
Wiring Diagrams



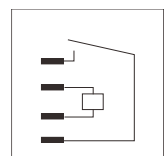
CA82F 1Z

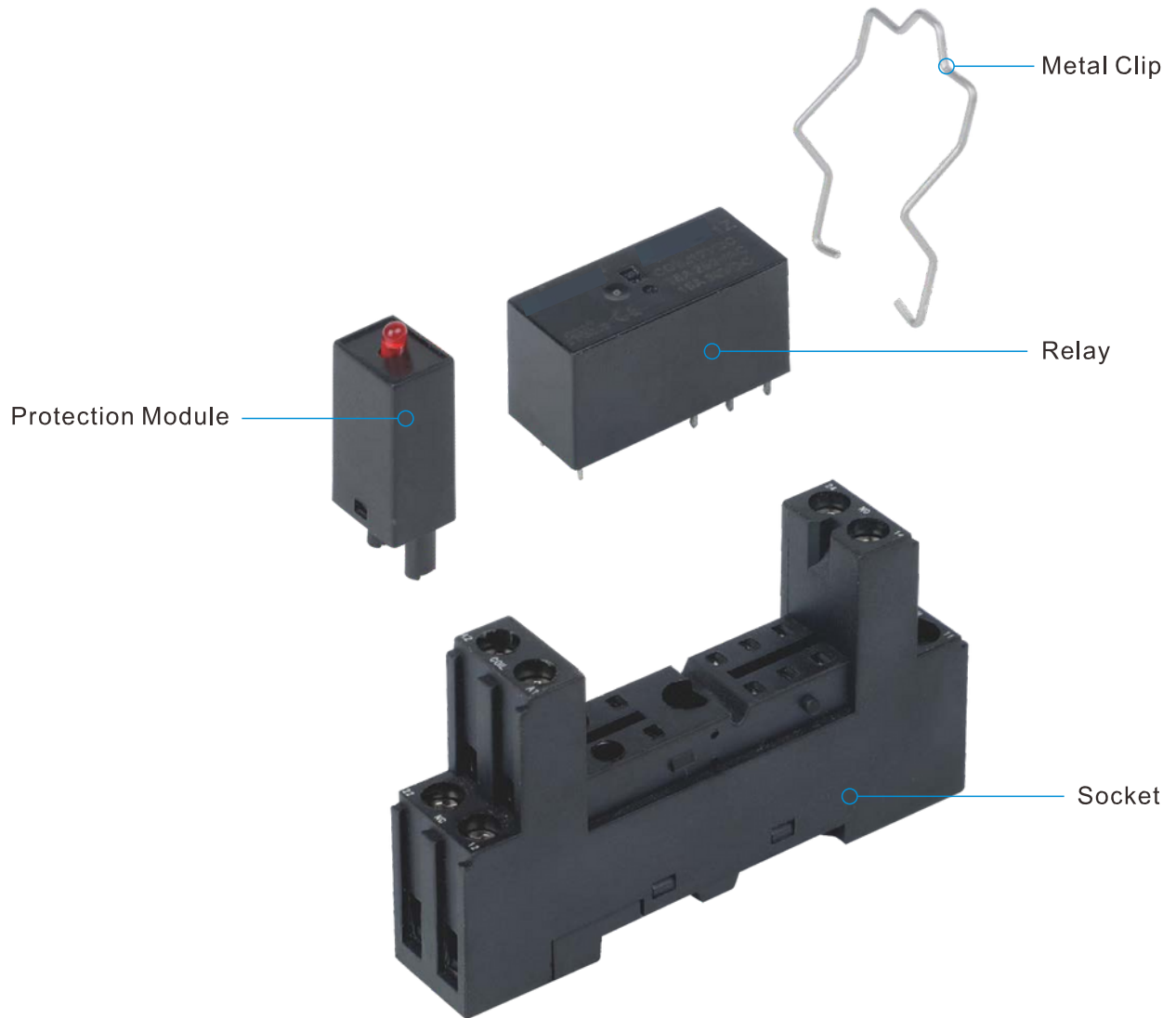


CA82F 1H







CA82F 1D





Sockets Selection Table

 series			
	PDF□□-E2	PDF□□-E3	PDP□□

Note: Other matched accessories please refer to the bottom page.



CA115F
(JQX-115F)



Specifications

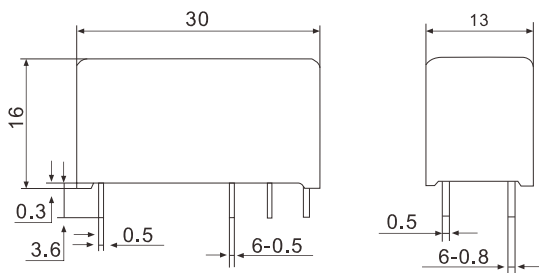
Contact Form	1Z	2Z
Rated Load (Resistive property)	12A 250VAC/30VDC 16A 250VAC/30VDC	8A 250VAC/30VDC
Contact	Electrical/Mechanical Life	≥100000times/1000000times
	Initial Contact Resistance	≤100MΩ (1A 6VDC)
	Contact Material	AgSnO ₂
	Insulation Resistance	≥1000MΩ (500VDC)
Characteristics	Dielectric Strength	Between open contacts ≥1000VAC/1min
		Between poles ≥1500VAC/1min
		Between contact and coil ≥5000VAC/1min
	Operate/Release Time	≤15ms/5ms
Terminal Type	PCB	
Coil	Operating Power DC/AC	0.4W

DC Coil Data

Rated Voltage VDC	Pickup Voltage VDC	Dropoff Voltage VDC	Coil Resistance Ω±10%
5	3.75	0.5	62.2
6	4.5	0.6	90
12	9.0	1.2	360
24	18.0	2.4	1440
48	36.4	4.8	5760
60	48.0	6.0	9000
110	82.5	11.0	30250

Dimensions (mm)

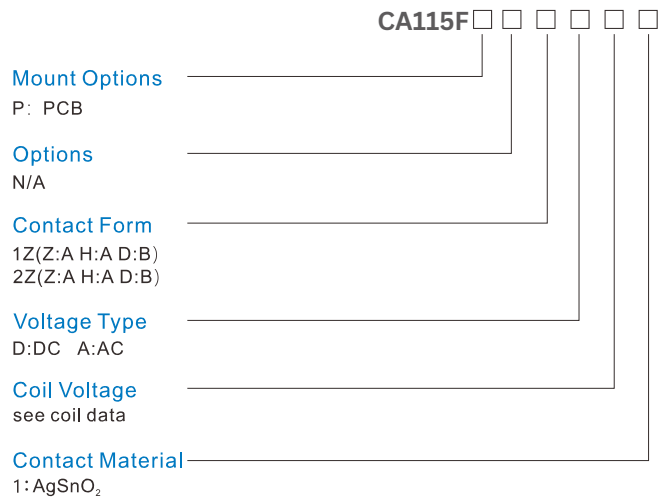
CA115F



Features

- ♦ rated load 16A
- ♦ low height 16mm
- ♦ creepage distance: 10mm
- ♦ 5kV dielectric strength (between coil and contacts)

Ordering Information



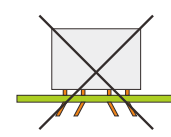
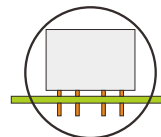
Notes: We have now gradually updated our ordering information. We suggest new type should be selected. If necessary, old type can be kept for some period for the old customers.



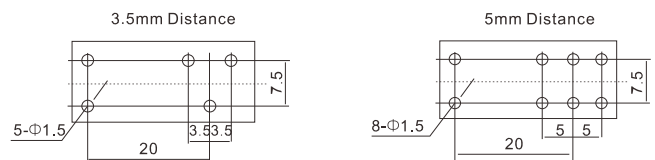
1Z



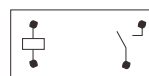
2Z



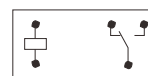
Wiring Diagrams



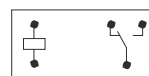
CA115F 1H



CA115F 1D



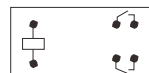
CA115F 1Z



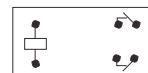
1 pole 3.5mm distance 12A

1 pole 5mm distance 16A

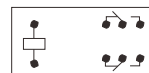
CA115F 2H



CA115F 2D



CA115F 2Z



2 poles 5mm distance 8A



CA14FC
(JQX-14FC)



Specifications

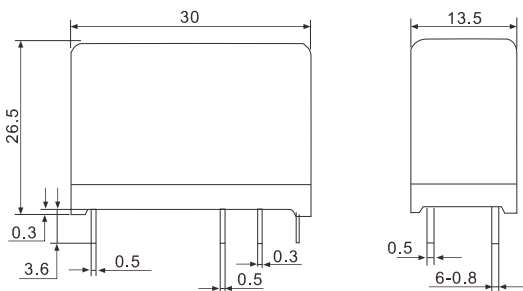
	Contact Form	1Z	2Z
	Rated Load (Resistive property)	10A 250VAC/30VDC 16A 250VAC/30VDC	5A 250VAC/30VDC
Contact	Electrical/Mechanical Life	≥100000times/1000000times	
	Initial Contact Resistance	≤100MΩ (1A 6VDC)	
	Contact Material	AgSnO ₂	
	Insulation Resistance	≥1000MΩ (500VDC)	
Characteristics	Dielectric Strength	Between open contacts	≥1000VAC/1min
		Between poles	≥1500VAC/1min
		Between contact and coil	≥4000VAC/1min
	Operate/Release Time	≤15ms / 5ms	
Terminal Type	PCB		
Coil	Operating PowerDC/AC	0.55W/0.8VA	

AC Coil Data

Rated Voltage VAC	Pickup Voltage VAC	Dropoff Voltage VAC	Coil Resistance Ω±10%
6	4.8	1.8	16
12	9.6	3.6	63
24	19.2	4.2	240
48	38.4	14.4	1085
110	88	33	5500
220/240	184	69	24000

Dimensions (mm)

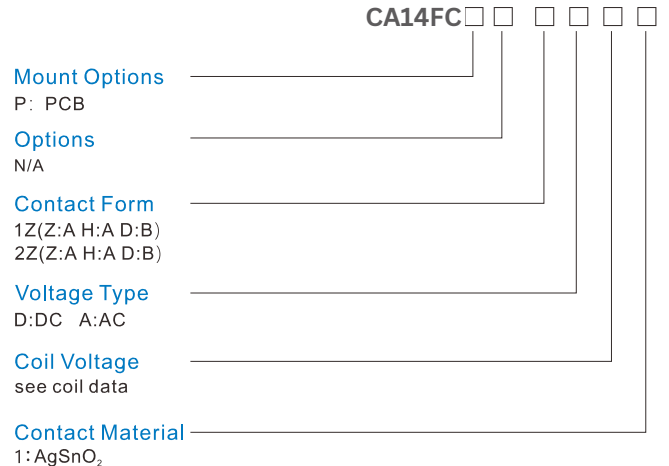
CA14FC



Features

- ◆ low coil operating power 0.55W/0.8VA
- ◆ creepage distance: 8mm
- ◆ 4kV dielectric strength (between coil and contacts)

Ordering Information



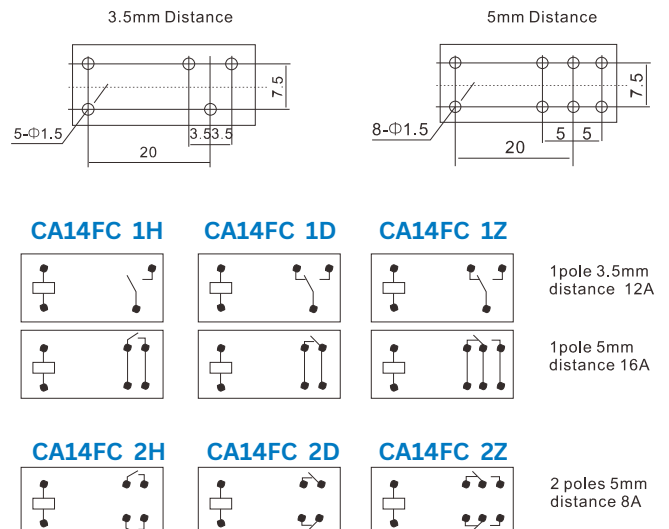
Notes: We have now gradually updated our ordering information. We suggest new type should be selected. If necessary, old type can be kept for some period for the old customers.



DC Coil Data

Rated Voltage VDC	Pickup Voltage VDC	Dropoff Voltage VDC	Coil Resistance Ω±10%
3	2.25	0.3	16
5	3.75	0.5	45
6	4.5	0.6	65
9	6.75	0.9	150
12	9.0	1.2	260
18	13.5	1.8	600
24	18.0	2.4	1080
48	36.0	4.8	4260
60	45.0	7.0	6500

Wiring Diagrams



PDF□□-E2



Appearance



PDF□□-E2
(RT625-B)

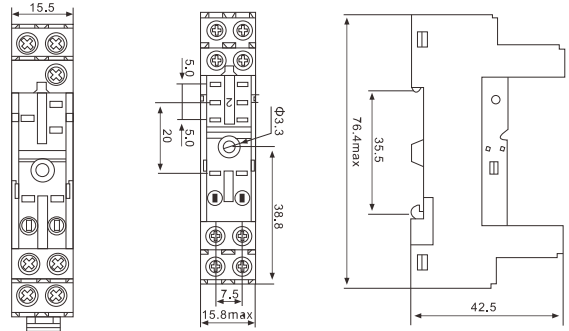
Specifications

Rated Load	Current/Voltage	A/VAC	10/300
Dielectric Strength	Coil&Contacts	V/S	4000
	Between Contacts	V/S	2500
Wire Size	AWG/mm ²		20-14/0.5-2.5
Tightening Torque	Nm	0.8	
Terminal Ingress Protection	IP20		

Matched accessories

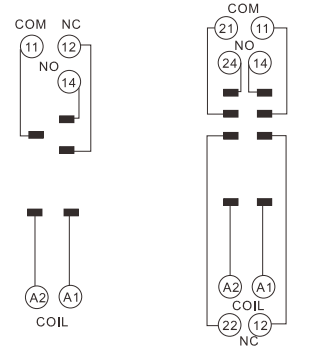
Socket	Clip	Module	DIN Rail
PDF□□-E2	B-25C K-25C(AS14FC)	AMB Series	
	B-15F K-15F(AS115FC)		

Dimensions (mm)



PDF05-E2 PDF08-E2

Connection Diagrams



PDF05-E2 PDF08-E2

PDF□□-E3



Appearance



PDF□□-E3
(RT626-B)

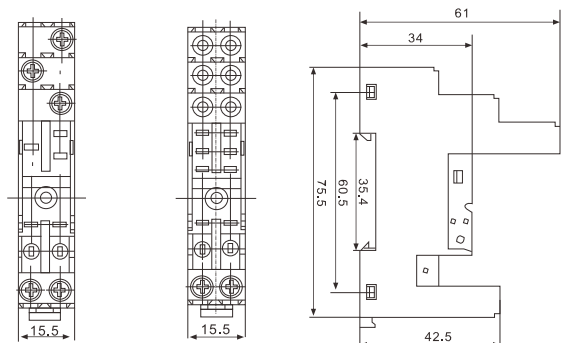
Specifications

Rated Load	Current/Voltage	A/VAC	10/300
Dielectric Strength	Coil&Contacts	V/S	4000
	Between Contacts	V/S	2500
Wire Size	AWG/mm ²		20-14/0.5-2.5
Tightening Torque	Nm	0.8	
Terminal Ingress Protection	IP20		

Matched accessories

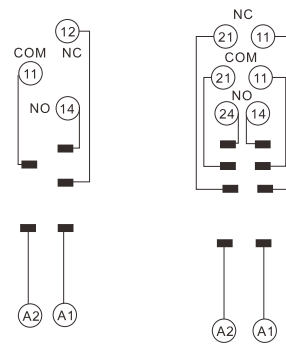
Socket	Clip	Module	DIN Rail
PDF□□-E3	B-25C K-25C(AS14FC)	AMB Series	
	B-15F K-15F(AS115FC)		

Dimensions (mm)



PDF05-E3 PDF08-E3

Connection Diagrams



PDF05-E2 PDF08-E2

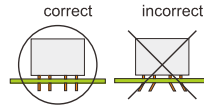
➔ PDP□□



Appearance



PDP□□
(PSP-□□A)



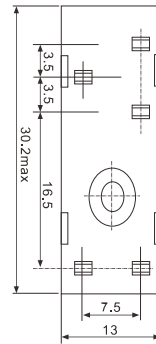
Specifications

Rated Load	Current/Voltage	A/VAC	10/300
Dielectric Strength	Coil&Contacts	V/S	4000
	Between contacts	V/S	2500
Wire Size	AWG/mm ²		
Tightening Torque	Nm		

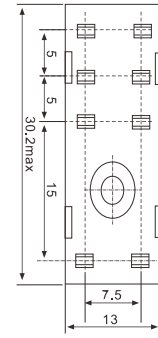
Matched accessories

Socket	Relay Type	Clip	Module	Din Rail
PDP□□	AS14FC 2Z 5A	K-25P	/	/
	AS115F 2Z	K-15P		
	AS115F 1Z 16A			

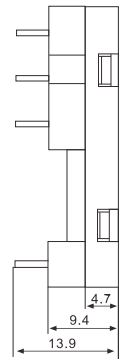
Dimensions (mm)



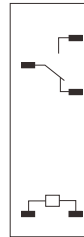
PDP05



PDP08



Connection Diagrams



PDP05



PDP08



CA3F
(JQC-3F/T73)



Specifications

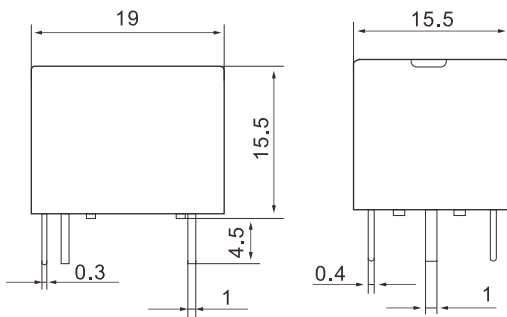
Contact	Contact Form	1Z	
	Rated Load (Resistive property)	7A 250VAC/30VDC 10A 250VAC/30VDC	
	Electrical/Mechanical Life	≥100000times/10000000times	
	Initial Contact Resistance	≤100MΩ (1A 6VDC)	
	Contact Material	AgSnO ₂ AgNi	
Characteristics	Insulation Resistance	≥1000MΩ (500VDC)	
	Dielectric Strength	Between open contacts	≥1000VAC/1min
		Between poles	≥1500VAC/1min
		Between contact and coil	≥2500VAC/1min
	Operate/Release Time	≤10ms/5ms	
Terminal Type	PCB		
Coil	Operating PowerDC/AC	0.36W	

DC Coil Data

Rated Voltage VDC	Pickup Voltage VDC	Dropoff Voltage VDC	Coil Resistance Ω±10%
3	2.25	0.3	25
5	3.75	0.5	70
6	4.5	0.6	100
9	6.8	0.9	225
12	9.0	1.2	400
18	13.5	1.8	900
24	19.0	2.4	1600
48	36.0	4.8	4500

Dimensions (mm)

CA3F



Features

- ◆ small size
- ◆ rated load 7A, 10A
- ◆ insulation system: Class F

Ordering Information

Mount Options

P: PCB

Options

N/A

Contact Form

1Z(Z:A H:A)

Voltage Type

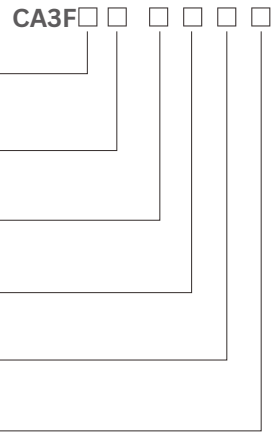
D:DC

Coil Voltage

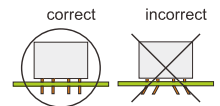
see coil data

Contact Material

1: AgSnO₂



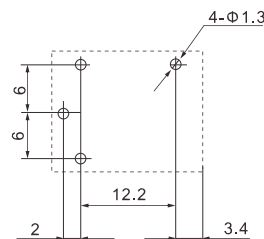
Notes: We has now gradually updated our ordering information. We suggest new type should be selected. If necessary, old type can be kept for some period for the old customers.



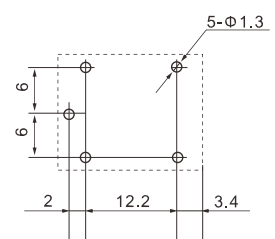
1Z

Wiring Diagrams

CA3F 1H



CA3F 1Z





CA15F
(JQX-15F/T90)



Specifications

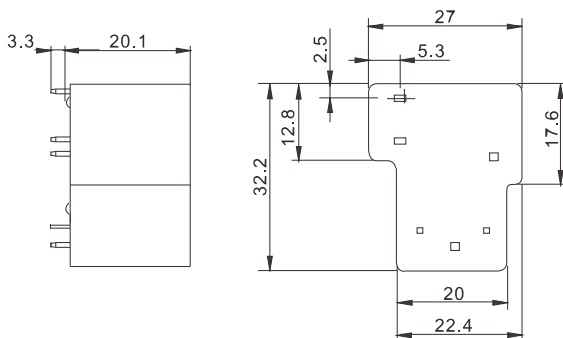
Contact Form	1Z	
Rated Load (Resistive property)	NO:30A 250VAC/30VDC NC:20A 250VAC/30VDC NO:40A 250VAC/30VDC NC:30A 250VAC/30VDC	
Contact	Electrical/Mechanical Life	≥100000times/10000000times
	Initial Contact Resistance	≤100MΩ (1A 6VDC)
	Contact Material	AgSnO ₂
	Insulation Resistance	≥1000MΩ (500VDC)
Characteristics	Dielectric Strength	Between open contacts≥1500VAC/1min Between contact and coil≥2500VAC/1min
	Operate/Release Time	≤15ms/10ms
	Terminal Type	PCB
Coil	Operating PowerDC	0.9W

DC Coil Data

Rated Voltage VDC	Pickup Voltage VDC	Dropoff Voltage VDC	Coil Resistance Ω±10%
5	3.75	0.5	30
6	4.5	0.6	45
9	6.75	0.9	100
12	9.0	1.2	160
15	11.25	1.5	260
18	13.5	1.8	385
24	18.0	2.4	660
48	36.0	4.8	2560
70	52.5	7.0	5500
110	82.5	11	13450

Dimensions (mm)

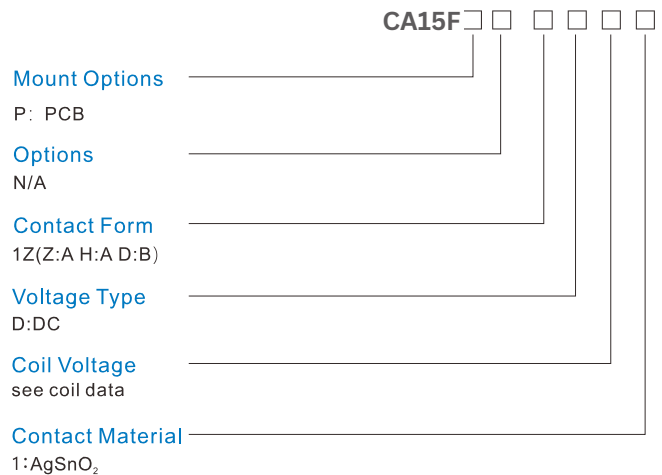
CA15F



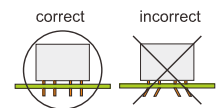
Features

- ◆ Rated Load 40A
- ◆ 4kV dielectric strength (between coil and contacts)
- ◆ insulation system: Class F

Ordering Information

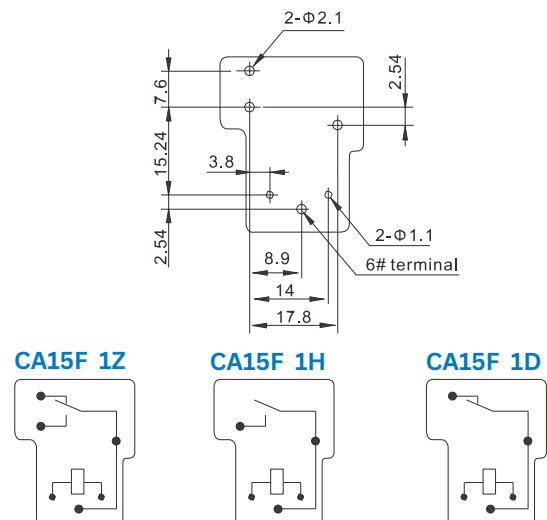


Notes: We have now gradually updated our ordering information. We suggest new type should be selected. If necessary, old type can be kept for some period for the old customers.



1H **1Z**
1H **1Z**

Wiring Diagrams





CA16F
(JQX-16F/T91)



Specifications

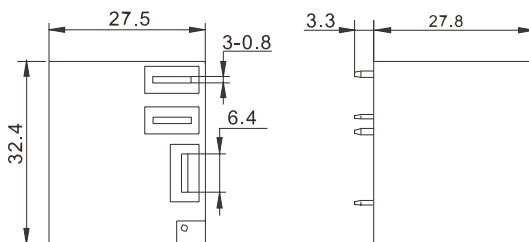
Contact Form	1Z	
Rated Load (Resistive property)	NO:30A 250VAC/30VDC NC:20A 250VAC/30VDC NO:40A 250VAC/30VDC NC:30A 250VAC/30VDC	
Contact	Electrical/Mechanical Life	≥100000times/1000000times
	Initial Contact Resistance	≤100MΩ (1A 6VDC)
	Contact Material	AgSnO ₂
Insulation Resistance	≥1000MΩ (500VDC)	
Characteristics	Dielectric Strength	Between open contacts ≥1500VAC/1min Between contact and coil ≥2500VAC/1min
	Operate/Release Time	≤15ms/10ms
	Terminal Type	PCB & Quick Connection
	Coil Operating Power DC	0.9W

DC Coil Data

Rated Voltage VDC	Pickup Voltage VDC	Dropoff Voltage VDC	Coil Resistance Ω±10%
5	3.75	0.5	30
6	4.5	0.6	45
9	6.75	0.9	100
12	9.0	1.2	160
15	11.25	1.5	260
18	13.5	1.8	385
24	18.0	2.4	660
48	36.0	4.8	2560
70	52.5	7.0	5500
110	82.5	11	13450

Dimensions (mm)

CA16F



Features

- ♦ rated load 40A
- ♦ 2.5kV dielectric strength (between coil and contacts)
- ♦ insulation system: Class F
- ♦ plastic sealed and flux proofed types available

Ordering Information

Mount Options

P: PCB

Options

N/A

Contact Form

1Z(Z:A H:A D:B)

Voltage Type

D:DC

Coil Voltage

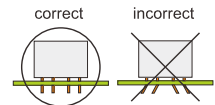
see coil data

Contact Material

1:AgSnO₂

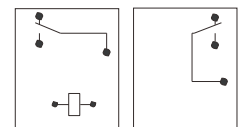
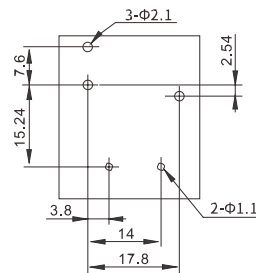
CA16F □ □ □ □ □ □

Notes: We have now gradually updated our ordering information. We suggest new type should be selected. If necessary, old type can be kept for some period for the old customers.

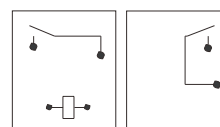


1Z

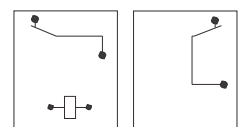
Wiring Diagrams



CA16F 1Z



CA16F 1H



CA16F 1D



CA18F
(JQX-21F/T93)



Specifications

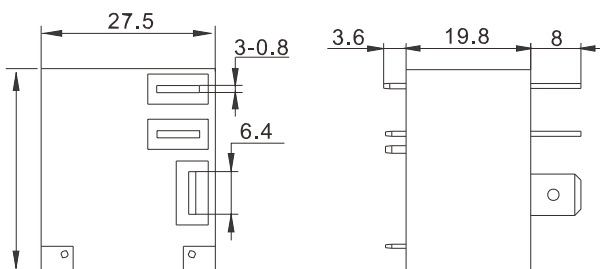
Contact	Contact Form	1Z
	Rated Load (Resistive property)	NO:30A 250VAC/30VDC
		NC:20A 250VAC/30VDC
		NO:40A 250VAC/30VDC
		NC:30A 250VAC/30VDC
	Electrical/Mechanical Life	≥100000times/10000000times
Initial Contact Resistance	≤100MΩ (1A 6VDC)	
Contact Material	AgSnO ₂	
Insulation Resistance	≥1000MΩ (500VDC)	
Characteristics	Dielectric Strength	Between open contacts≥1500VAC/1min
		Between contact and coil≥2500VAC/1min
	Operate/Release Time	≤15ms/10ms
	Terminal Type	PCB& Quick Connection
Coil	Operating PowerDC	0.9W

DC Coil Data

Rated Voltage VDC	Pickup Voltage VDC	Dropoff Voltage VDC	Coil Resistance Ω±10%
5	3.75	0.5	30
6	4.5	0.6	45
9	6.75	0.9	100
12	9.0	1.2	160
15	11.25	1.5	260
18	13.5	1.8	385
24	18.0	2.4	660
48	36.0	4.8	2560
70	52.5	7.0	5500
110	82.5	11	13450

Dimensions (mm)

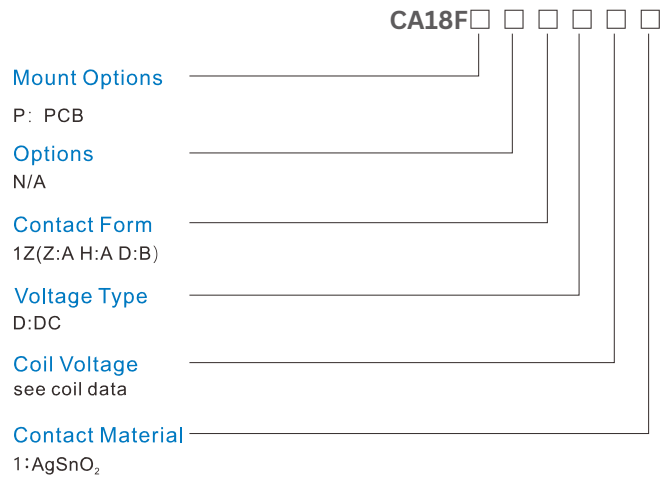
CA21F



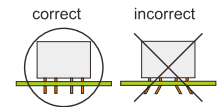
Features

- ♦ rated load 40A
- ♦ PCB & quick contact terminal
- ♦ insulation system: Class F
- ♦ plastic sealed and flux proofed types available

Ordering Information

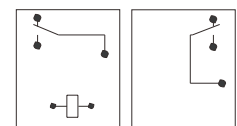
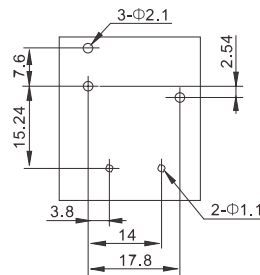


Notes: We have now gradually updated our ordering information. We suggest new type should be selected. If necessary, old type can be kept for some period for the old customers.

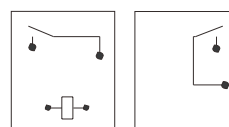


1Z

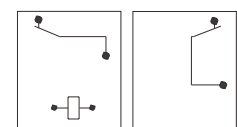
Wiring Diagrams



CA21F 1Z



CA21F 1H



CA21F 1D



CA32F
(JZC-32F)



Specifications

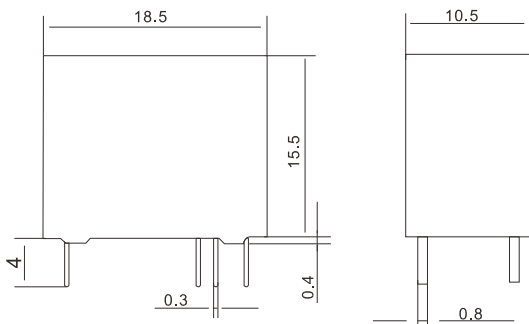
	Contact Form	1H
	Rated Load (Resistive property)	10.16A 250VAC/30VDC
Contact	Electrical/Mechanical Life	≥100000times/1000000times
	Initial Contact Resistance	≤100MΩ (1A 6VDC)
	Contact Material	AgSnO ₂
	Insulation Resistance	≥1000MΩ (500VDC)
Characteristics	Dielectric Strength	Between open contacts≥1000VAC/1min
		Between contact and coil≥4000VAC/1min
	Operate/Release Time	≤8ms/5ms
	Terminal Type	PCB
Coil	Operating PowerDC	0.45W

DC Coil Data

Rated Voltage VDC	Pickup Voltage VDC	Dropoff Voltage VDC	Coil Resistance Ω±10%
3	2.25	0.3	20
5	3.75	0.5	55
6	4.50	0.6	80
9	6.75	0.9	180
12	9.00	1.2	320
18	13.5	1.8	720
24	18.0	2.4	1280

Dimensions (mm)

CA32F



Features

- ♦ rated load 16A
- ♦ plastic sealed and flux proofed types available
- ♦ insulation system: Class F

Ordering Information

CA32F□□□□□□

Mount Options

P: PCB

Options

N/A

Contact Form

1H(H:A)

Voltage Type

D:DC

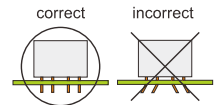
Coil Voltage

see coil data

Contact Material

1:AgSnO₂

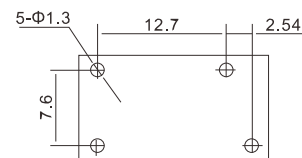
Notes: We have now gradually updated our ordering information. We suggest new type should be selected. If necessary, old type can be kept for some period for the old customers.



1H

Wiring Diagrams

CA32F 1H





CA401



Specifications

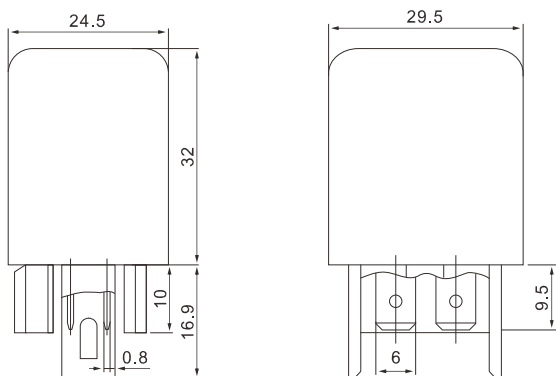
Contact	Contact Form	1H
	Rated Load (Resistive property)	NO:30A 12VDC
	Electrical/Mechanical Life	≥100000times/1000000times
	Initial Contact Resistance	≤50MΩ (1A 6VDC)
	Contact Material	AgSnO ₂
Characteristics	Insulation Resistance	≥1000MΩ (500VDC)
	Dielectric Strength	Between open contacts≥500VAC/1min
		Between contact and coil≥500VAC/1min
	Operate/Release Time	≤15ms/10ms
Terminal Type	Quick Connection	
Coil	Operating PowerDC	1.8W

DC Coil Data

Rated Voltage VDC	Pickup Voltage VDC	Dropoff Voltage VDC	Coil Resistance Ω±10%
5	3.5	0.5	16
6	4.2	0.6	20
12	8.4	1.2	85
24	16.8	2.4	320

Dimensions (mm)

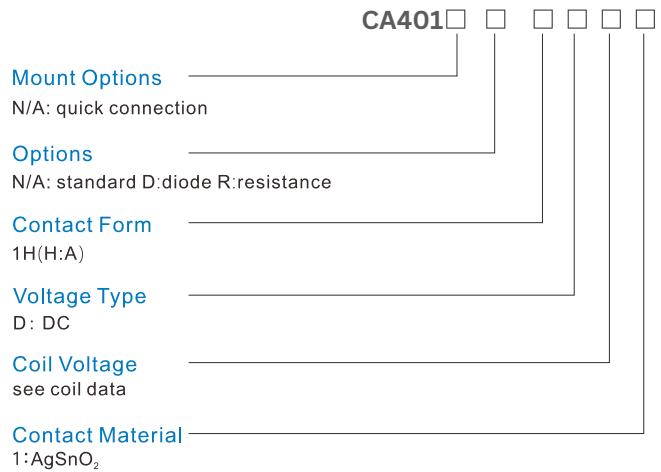
CA401



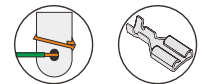
Features

- ♦ rated load 10A
- ♦ extended temp. range up to 125°C
- ♦ plastic sealed and flux proofed types available
- ♦ ELV compliant

Ordering Information

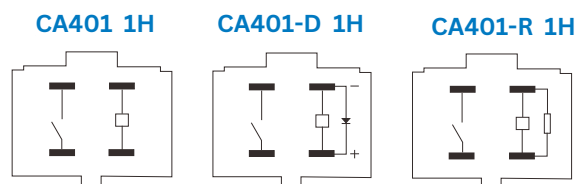
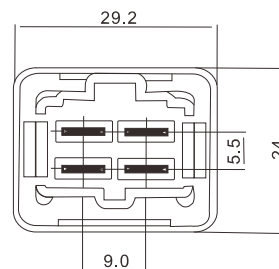


Notes: We have now gradually updated our ordering information. We suggest new type should be selected. If necessary, old type can be kept for some period for the old customers.



CA401

Wiring Diagrams





CA402



Specifications

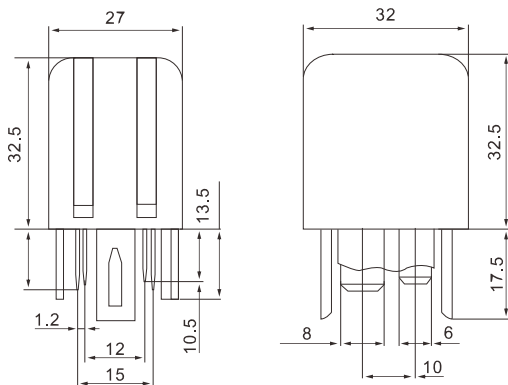
	Contact Form	1H
	Rated Load (Resistive property)	30A 12VDC
Contact	Electrical/Mechanical Life	≥100000times/1000000times
	Initial Contact Resistance	≤50MΩ (1A 6VDC)
	Contact Material	AgSnO ₂
	Insulation Resistance	≥500MΩ (500VDC)
Characteristics	Dielectric Strength	Between open contacts ≥500VAC/1min
		Between contact and coil ≥500VAC/1min
	Operate/Release Time	≤15ms/10ms
	Terminal Type	Quick Connection
Coil	Operating PowerDC	1.8W

DC Coil Data

Rated Voltage VDC	Pickup Voltage VDC	Dropoff Voltage VDC	Coil Resistance Ω±10%
5	3.5	0.5	16
6	4.2	0.6	20
12	8.4	1.2	85
24	16.8	2.4	320

Dimensions (mm)

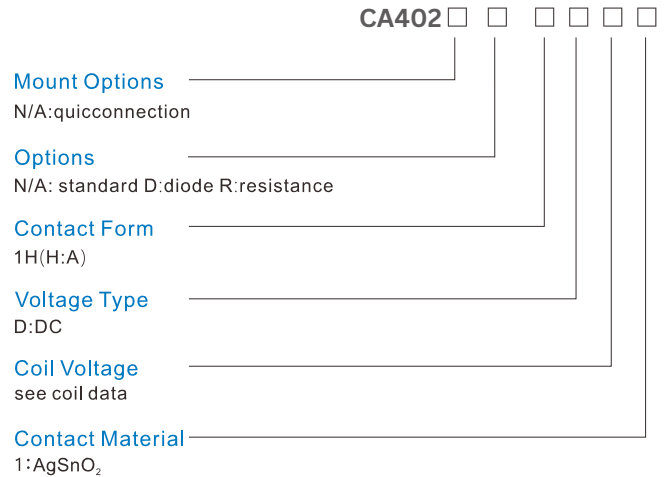
CA402



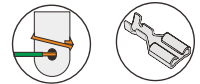
Features

- ♦ rated load 30A
- ♦ extended temp. range up to 125°C
- ♦ plastic sealed and flux proofed types available
- ♦ ELV compliant

Ordering Information



Notes: We have now gradually updated our ordering information. We suggest new type should be selected. If necessary, old type can be kept for some period for the old customers.

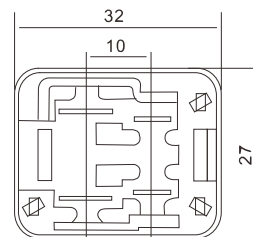


CA402

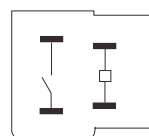


CA402

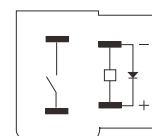
Wiring Diagrams



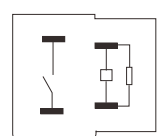
CA402 1H



CA402-D 1H



CA402-R 1H





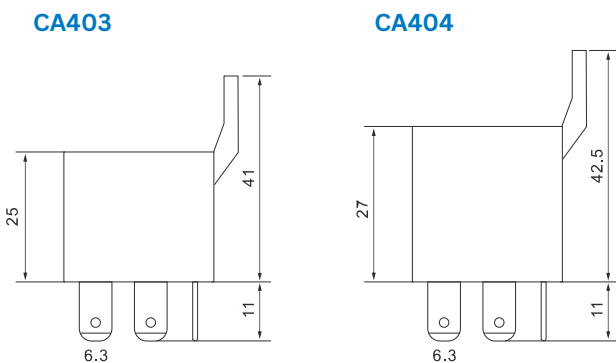
Specifications

Contact Form	1H, 1Z	
Rated Load (Resistive property)	30A 12VDC	
Contact	Electrical/Mechanical Life	≥100000times/1000000times
	Initial Contact Resistance	≤50MΩ (1A 6VDC)
	Contact Material	AgSnO ₂
	Insulation Resistance	≥500MΩ (500VDC)
Characteristics	Dielectric Strength	Between open contacts≥500VAC/1min Between contact and coil≥500VAC/1min
	Operate/Release Time	≤15ms/10ms
	Terminal Type	Quick Connection
	Coil	Operating PowerDC

DC Coil Data

Rated Voltage VDC	Pickup Voltage VDC	Dropoff Voltage VDC	Coil Resistance Ω±10%
5	3.5	0.5	16
6	4.2	0.6	20
12	8.4	1.2	85
24	16.8	2.4	320

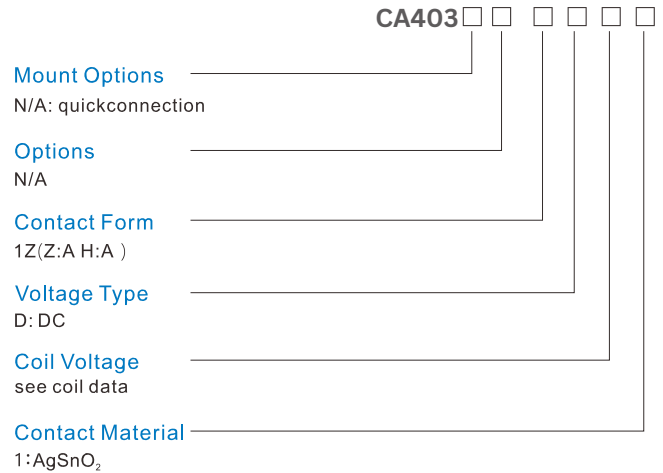
Dimensions (mm)



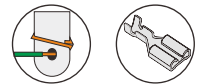
Features

- ♦ rated load 30A
- ♦ extended temp. range up to 125°C
- ♦ plastic sealed and flux proofed types available
- ♦ ELV compliant

Ordering Information



Notes: We have now gradually updated our ordering information. We suggest new type should be selected. If necessary, old type can be kept for some period for the old customers.



CA403 1Z



1H

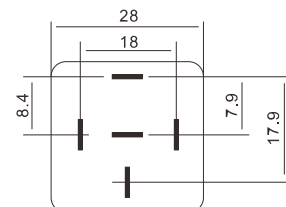


CA404 1Z

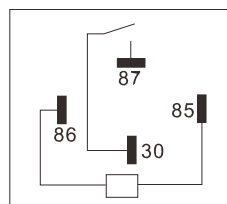


1H

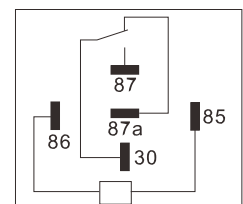
Wiring Diagrams



CA403/CA404 1H



CA403/CA404 1Z





CA405
(CM6321)



Specifications

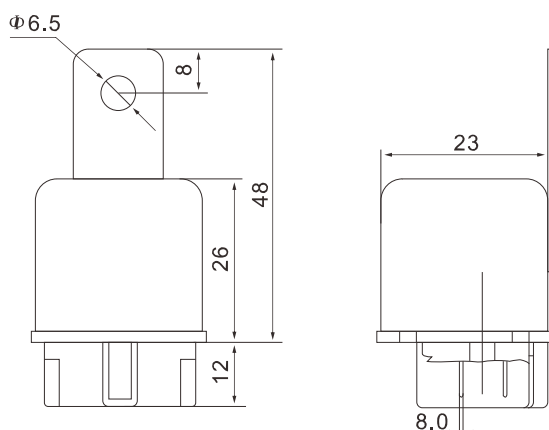
Contact	Contact Form	1H
	Rated Load (Resistive property)	30A 12VDC
	Electrical/Mechanical Life	≥100000times/10000000times
	Initial Contact Resistance	≤50MΩ (1A 6VDC)
	Contact Material	AgSnO ₂
Characteristics	Insulation Resistance	≥500MΩ (500VDC)
	Dielectric Strength	Between open contacts≥500VAC/1min Between contact and coil≥500VAC/1min
	Operate/Release Time	≤15ms/10ms
	Terminal Type	Quick Connection
	Coil	Operating PowerDC

DC Coil Data

Rated Voltage VDC	Pickup Voltage VDC	Dropoff Voltage VDC	Coil Resistance Ω±10%
5	3.5	0.5	16
6	4.2	0.6	20
12	8.4	1.2	85
24	16.8	2.4	320

Dimensions (mm)

CA405(CM6321)



Features

- ♦ rated load 30A
- ♦ extended temp. range up to 125°C
- ♦ plastic sealed and flux proofed types available
- ♦ ELV compliant

Ordering Information

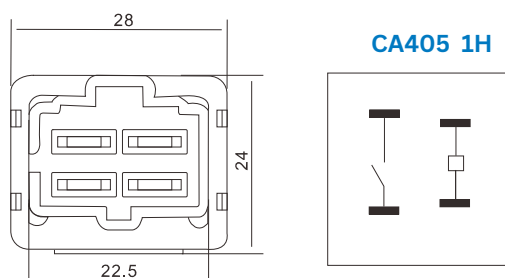
	CA405	□	□	□	□	□	□
Mount Options	N/A: Quick Connection						
Options	N/A						
Contact Form	1H(H:A)						
Voltage Type	D: DC						
Coil Voltage	see coil data						
Contact Material	1: AgSnO ₂						

Notes: We have now gradually updated our ordering information. We suggest new type should be selected. If necessary, old type can be kept for some period for the old customers.



CA405(CM6321)

Wiring Diagrams





CA406
(CM6331)

CA406M
(CM6331)



Specifications

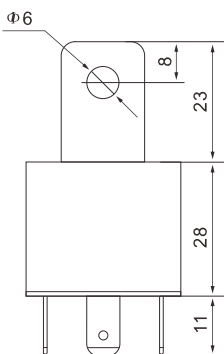
Contact	Contact Form	1H, 1Z	
	Rated Load (Resistive property)	30A 12VDC	
	Electrical/Mechanical Life	≥100000times/1000000times	
	Initial Contact Resistance	≤50MΩ (1A 6VDC)	
	Contact Material	AgSnO ₂	
Characteristics	Insulation Resistance	≥100MΩ (500VDC)	
	Dielectric Strength	Between open contacts	≥500VAC/1min
		Between contact and coil	≥500VAC/1min
	Operate/Release Time	≤15ms/10ms	
	Terminal Type	Quick Connection	
Coil	Operating PowerDC	1.8W	

DC Coil Data

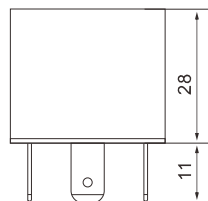
Rated Voltage VDC	Pickup Voltage VDC	Dropoff Voltage VDC	Coil Resistance Ω±10%
5	3.5	0.5	16
6	4.2	0.6	20
12	8.4	1.2	85
24	16.8	2.4	320

Dimensions (mm)

CA406(CM6331)



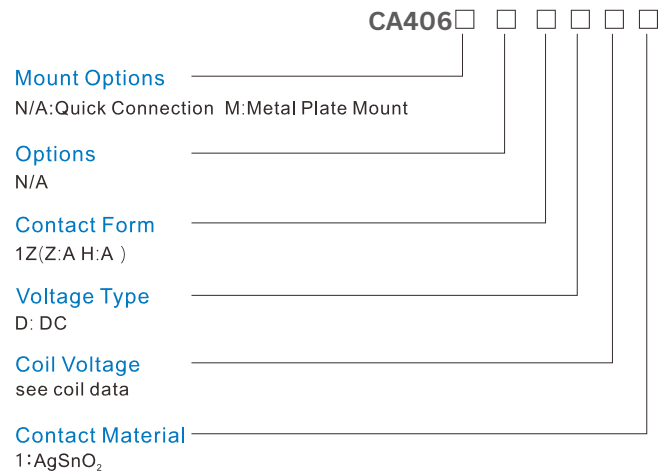
CA406-1(CM6331)



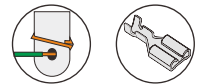
Features

- ◆ Rated Load 30A
- ◆ extended temp. range up to 125°C
- ◆ plastic sealed and flux proofed types available
- ◆ ELV compliant

Ordering Information

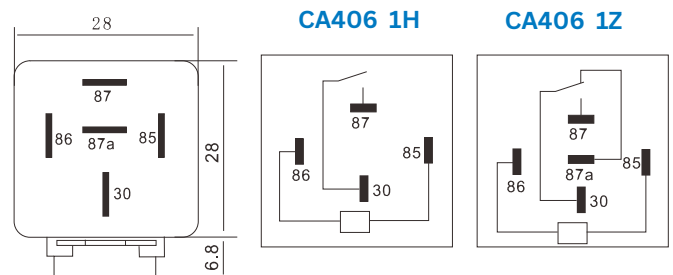


Notes: We have now gradually updated our ordering information. We suggest new type should be selected. If necessary, old type can be kept for some period for the old customers.



CA406(CM6331)

Wiring Diagrams





CA408
(CM6311)



Specifications

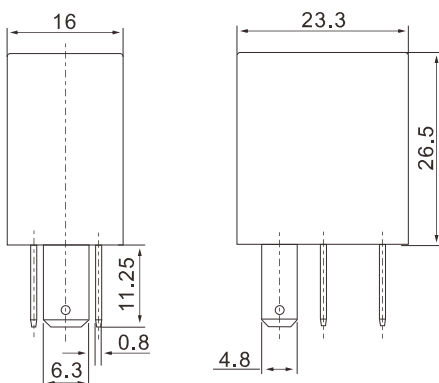
Contact	Contact Form	1H
	Rated Load (Resistive property)	30A 12VDC
	Electrical/Mechanical Life	≥100000times/1000000times
	Initial Contact Resistance	≤50MΩ (1A 6VDC)
	Contact Material	AgSnO ₂
Characteristics	Insulation Resistance	≥100MΩ (500VDC)
	Dielectric Strength	Between open contacts ≥500VAC/1min
		Between contact and coil ≥500VAC/1min
	Operate/Release Time	≤15ms/10ms
	Terminal Type	Quick Connection
Coil	Operating PowerDC	1.4W

DC Coil Data

Rated Voltage VDC	Pickup Voltage VDC	Dropoff Voltage VDC	Coil Resistance Ω±10%
5	3.5	0.5	18
6	4.2	0.6	26
12	8.4	1.2	103
24	16.8	2.4	410

Dimensions (mm)

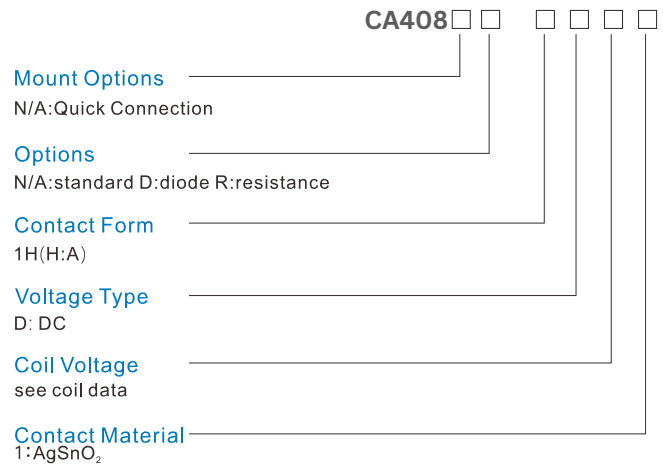
CA408(CM6331)



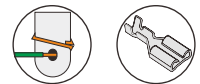
Features

- ◆ Rated Load 30A
- ◆ extended temp. range up to 125°C
- ◆ plastic sealed and flux proofed types available
- ◆ ELV compliant

Ordering Information



Notes: We have now gradually updated our ordering information. We suggest new type should be selected. If necessary, old type can be kept for some period for the old customers.

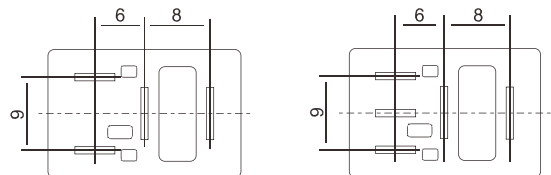


1Z

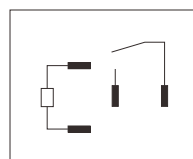


1H

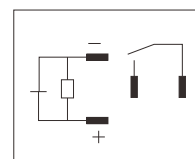
Wiring Diagrams



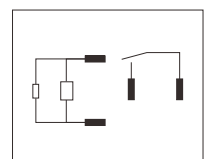
CA408 1H



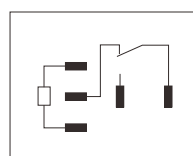
CA408-D 1H



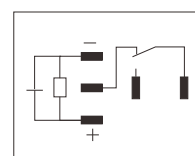
CA408-R 1H



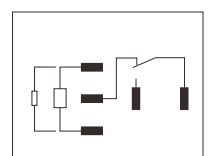
CA408 1Z



CA408-D 1Z



CA408-R 1Z





AMA Series



AMB Series

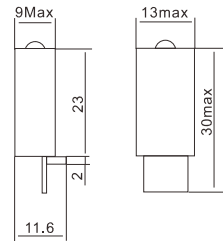


AMC Series

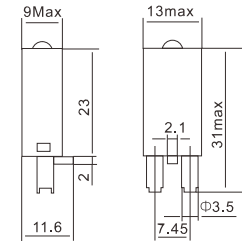


AMD Series

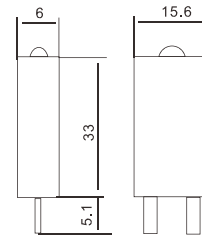
Module Type	Specifications	Function	Wiring Diagram
AMA/B/C/D-L	6-24VAC/DC 110/240VAC/DC	AC/DC Circuit status indicator	
AMA/B/C/D-LD	6-24VDC 110/240VDC	DC Circuit status indicator DC Surge suppressor	
AMA/B/D-RC	6-24VAC 110/240VAC	AC RC circuit	
AMA/B/D-M	24VAC/DC 120VAC/DC 240VAC/DC	AC/DC Over-voltage protection	
AMA/B/D-ML	24VAC/DC 120VAC/DC 240VAC/DC	AC/DC Circuit status AC/DC Over-voltage protection	
AMA/B/C/D-D	6-250VDC	DC Surge suppressor	



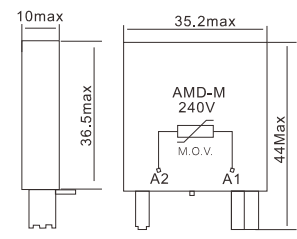
AMA Series



AMB Series



AMC Series



AMD Series

B-35	B-25C	B-15F	K-35S
PYF Series	PDF Series	PDF Series	PTF Series PYF□□A PYF□□A-E
K-15P/K-20P/K-25P	K-35	K-35T	K-53
PDP Series/PDF Series	PYF□□A-E2 PYF□□A-E3	PTP14/PYP Series	PPF Series

